

When to relax a lockdown? A modelling-based study of testing-led strategies coupled with sero-surveillance against SARS-CoV-2 infection in India

Sandip Mandal¹, Hemanshu Das², Sarang Deo², Nimalan Arinaminpathy^{3*}

¹ Independent Consultant, New Delhi, India; ² Indian School of Business, Hyderabad, India; ³ MRC Centre for Global Infectious Disease Analysis, School of Public Health, Imperial College London, London, UK

* Corresponding author: nim.pathy@imperial.ac.uk

Supporting technical information

Model specification

The model is a compartmental, deterministic framework, stratified by three age groups: <15yo, 15 – 64yo, and >65 yo. Figure S1 below illustrates the overall model structure, for a single age group.

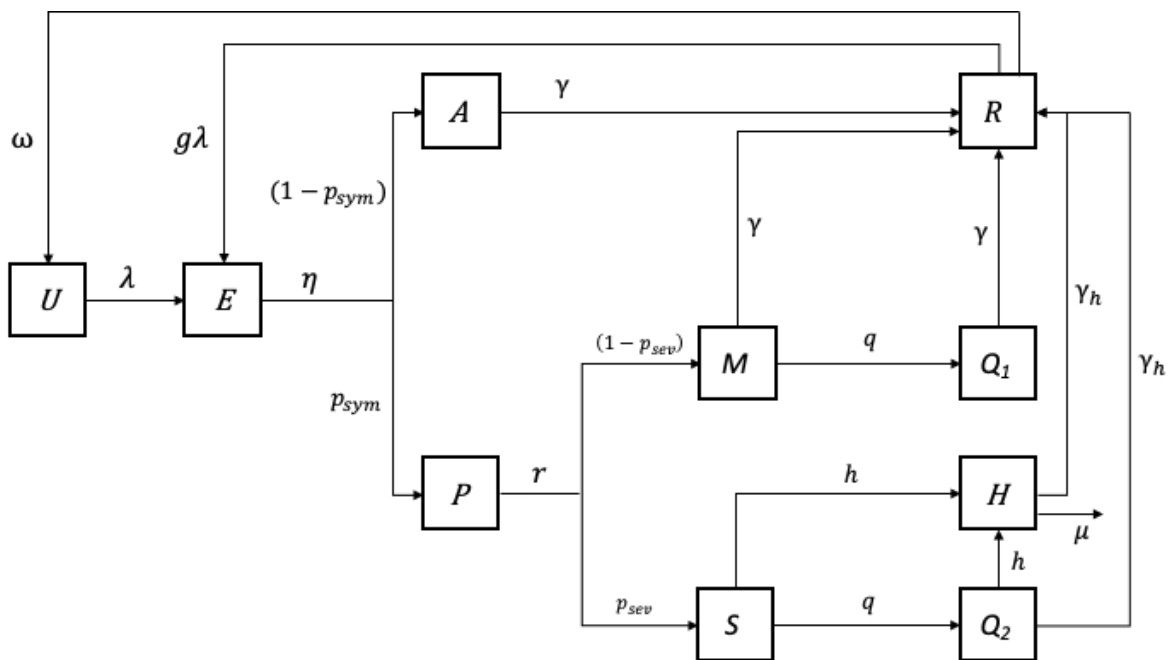


Figure S1. Schematic illustration of the model structure. State variable definitions (letters in boxes) are given in table S1, while parameter definitions (symbols on arrows) are listed in table S2. Governing equations relating to this diagram are listed in the text below.

An epidemic was simulated by seeding 10 infectives in a fully naïve population. The governing equations listed below were then simulated forward in time, initially in the absence of a lockdown. There is insufficient community-level surveillance data to inform the

timing of the lockdown, relative to the epidemic (see Table 1). We adopted a range of scenarios, shown in Table 1 in the main text. We assumed that the effect of the lockdown is to diminish the overall rate of contact in the population, amounting to a reduced rate-of-infection $\beta' = \beta(1 - c)$, where c is the effectiveness of the lockdown in reducing transmission (see Table 1). We assumed a linear transition from β to β' over a duration of 10 days starting from the time-of-initiation of the lockdown. Similarly upon lifting of the lockdown, we assumed a linear transition from β' to β , over a duration of 10 days starting from the time-of-lifting of the lockdown.

Governing equations

In the following equations, subscript i denotes the age group, with $i = 1, 2, 3$ denoting respectively, the age groups <15yo, 16 – 64yo, and >65yo.

Uninfected (U)

$$\frac{dU_i}{dt} = -\lambda_i U_i + \omega R_i$$

Exposed to infection (E)

$$\frac{dE_i}{dt} = \lambda_i U_i + g\lambda_i R_i - \eta E_i$$

Asymptomatic and infectious (A)

$$\frac{dA_i}{dt} = \eta (1 - p^{(sym)}) E_i - \gamma A_i$$

Presymptomatic and infectious (P)

$$\frac{dP_i}{dt} = \eta p^{(sym)} E_i - r P_i$$

Mild symptomatic (M)

$$\frac{dM_i}{dt} = r (1 - p_i^{(sev)}) P_i - (\gamma + q) M_i$$

Severe symptomatic (S)

$$\frac{dS_i}{dt} = r p_i^{(sev)} P_i - (h + q) S_{i,2}$$

Under quarantine (Q). Secondary subscripts denote severity, distinguishing mild symptomatic (1) from severe (2).

$$\frac{dQ_{i,1}}{dt} = q M_i - \gamma Q_{i,1}$$

$$\frac{dQ_{i,2}}{dt} = q S_i - (h + \gamma_i^h) Q_{i,2}$$

Needing hospitalisation (H)

$$\frac{dH_i}{dt} = h S_i + h Q_{i,2} - (\mu_i + \gamma_i^h) H_i$$

Recovered and immune (R)

$$\frac{dR_i}{dt} = \gamma A_i + \gamma M_i + \gamma Q_{i,1} + \gamma_i^h H_i + \gamma_i^h Q_{i,2} - (\omega + g) R_i$$

Finally for the force-of-infection λ_i in age group i , we have:

$$\lambda_i = \sum_{ij} \beta c_{ij} [(M_i + S_i) + k(A_i + P_i)] / N_i$$

where β is the infection rate per potentially infectious contact; c_{ij} is the daily rate of contact between age group i and j ; and N_i is the total number in age-group i .

State symbol	Meaning
U_i	Uninfected ($i = 1, 2, 3$ indicates for age group 0-19 y, 20-64 y and > 65 y)
E_i	Exposed
A_i	Asymptomatic
P_i	Pre-symptomatic
M_i	Mild symptomatic
S_i	Severe symptomatic, ultimately will need hospitalisation
$Q_{i,k}$	Quarantined ($k = 1$ for mild symptomatic, $k = 2$ for severe symptomatic)
H_i	Needing hospitalisation
R_i	Recovered and immune

Table S1. Definition of state variables shown in Figure S1, and in the governing equations.

Parameter	Meaning	Values	Source/Notes
β	Transmission rate	0.064	Calculated using next-generation matrix as described in ref. ¹ . Value shown here is to yield $R_0 = 2.5$
η	Incubation rate	0.2 /day	Corresponds to an average incubation period of 5 days ²
$p^{(sym)}$	Proportion developing symptoms	2/3	Assumption ³ , but see table 1 in main text for ranges used in uncertainty analysis
k	Relative infectiousness of asymptomatic vs symptomatic infection	2/3	
q	Rate of quarantine	Specified as part of tested intervention scenarios	1/ q is the average delay (days) between symptom onset and isolation
r	Rate of developing symptoms	1.0 /day	Assumption, corresponds to mean pre-symptomatic duration of 1 day
γ	Recovery rate for non-severe cases	0.2	Assumption, corresponds to mean infectious period of 5 days
h	Hospitalisation rate for severe cases	0.2 /day	
g	Susceptibility to reinfection, relative to pre-infection susceptibility	0	Assumption (that immunity is perfectly protective against reinfection), but see table 1 in main text for ranges used in the analysis
ω	Per-capita rate at which post-infection wanes	1/365	Assumption (corresponding to mean immunity duration of 1 year),

					but see table 1 in main text for ranges used in the analysis
	Age groups	0-19 y	20-64 y	>65 y	
$p_i^{(sev)}$	Of symptomatic cases, proportion severe (i.e. that will need hospitalization) (i = 1, 2, 3 indicates age group)	0.002	0.05	0.225	
γ_i^h	Recovery rate for severe cases (i = 1, 2, 3 indicates age group)	0.096	0.091	0.062	
μ_i	Mortality rate for severe cases (i = 1, 2, 3 indicates for different age group)	0.0045	0.0088	0.0385	
N_i	Population (Delhi)	7554531	11954901	818671	
c_{ij}	Connectivity matrix between age group i with age group j	5.59 2.18 0.06	2.57 5.56 0.12	0.08 0.08 0.01	
Health system					
--	Hospital bed capacity	2.8 beds per 1,000 population			Drawn from ref. ⁴ in the example of Delhi, taking account of bed capacity in both public and private sectors

Table S2. List of parameters used in the model

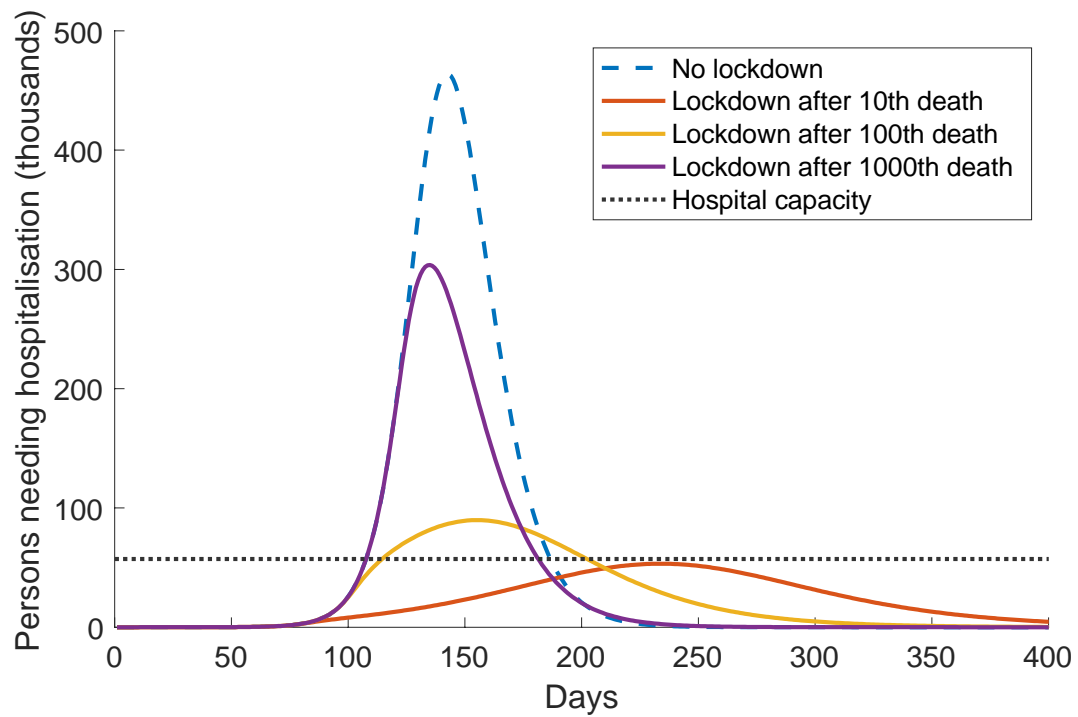


Figure S2. Illustration of the importance of lockdown timing, in the impact of the lockdown. Shown are different scenarios with the same effectiveness in reducing transmission (50%), but different times-of-initiation. Overall, figures illustrate the importance of lockdown timing, independently of effectiveness, for overall impact.

Appendix 2: Cost of Testing

We adopted an activity-based costing approach to determine the cost of conducting a RT-PCR test. We developed a cost structure for calculating the cost of both sample collection and sample analysis. Figure S3 provides a pictorial representation of the costing approach. We determined the activities involved for sample collection and sample analysis and resources required to conduct each of these activities.

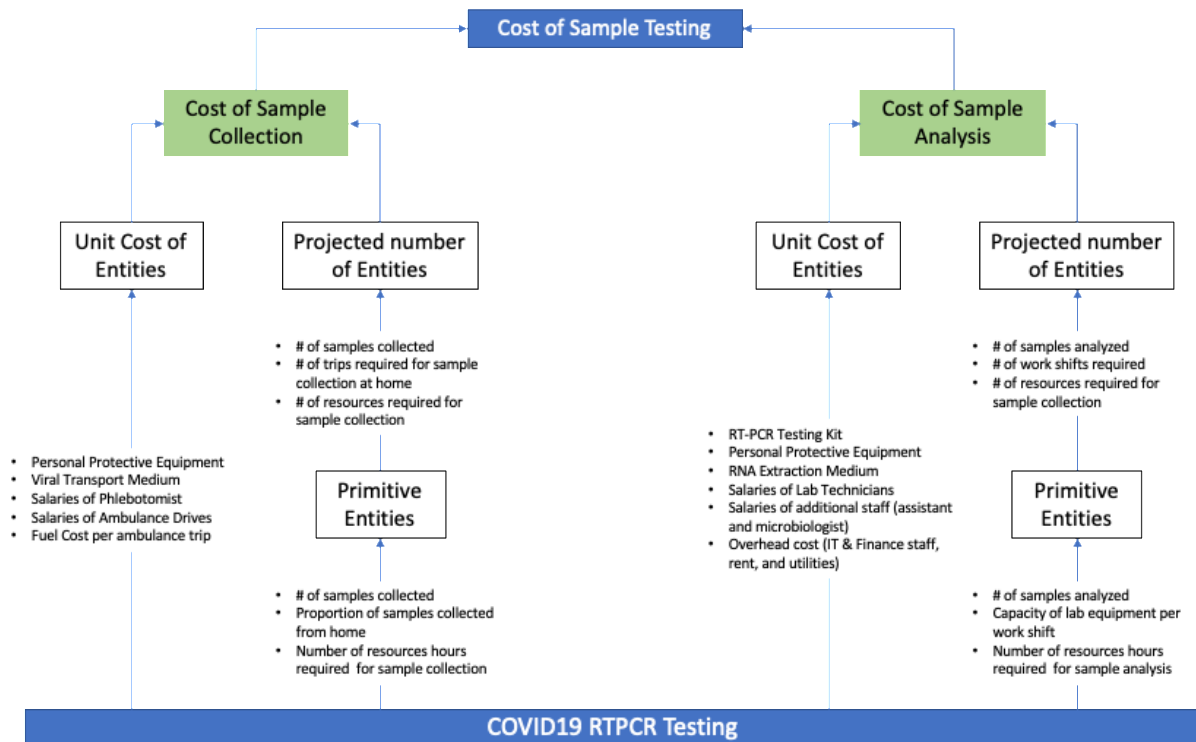


Figure S3: Schematic representation of the cost structure, with the entities and unit costs considered for sample testing.

We determined the resource requirements for each activity based on discussions with public health professionals, kit manufacturers and laboratory staff. For example, the number of ambulance staff required depends on the number of samples collected from patient homes as well as on the maximum number of samples that can be collected by an ambulance team. On the other hand, the number of test kits required depends only on the number of samples analysed. Utilities cost and management staff were assumed fixed for a laboratory irrespective of the number of tests conducted by a laboratory.

The required resources and activities scaled depending on operational parameters, and thus affect the unit cost of tests. Some of the operational parameters were:

- Throughput of each staff resource: The number of activities per unit that can be conducted by each staff will determine the number of staff resources required.
- Proportion of tests in the private sector: The staff cost for public and private sector is different and thus the unit cost of testing in public and private sector is different
- The testing capacity of a laboratory: The test analysis capacity in a single run of the machine determines the number of laboratories required to meet testing demand

- Modality of sample collection (home vs. facility): Ambulance staff is required only for samples collected from home, and the number of samples in a day collected by phlebotomist is different depending on if the samples are collected at home or in the facility.

In table S3, we list the cost components pertaining to each resource, the driving activities, and nature of each cost component (variable or fixed) with respect to increasing the number of tests. The cost structure provides unit costs for the private sector and public sector labs separately; we then derive the unit cost of testing based on the proportion of tests conducted in public and private sector.

Sample Collection		
Cost Category	Nature	Driving Activity
Field Staff Costs		
Salary of Plebotomist Staff	V	1. Number of samples collected 2. Proportion of samples collected from patient home 3. Number of samples collected per phlebotomist in a day
Salary of Ambulance Staff	V	1. Number of samples collected from patient home 2. Number of samples collected per ambulance in a day
Consumables and Equipment		
Personal Protective Equipment	V	1. Number of phlebotomists 2. Frequency of change of PPE
Viral Transport Medium	V	Number of samples collected
Consumables (swab, gloves, etc)	V	Number of samples collected
Other Costs		
Fuel Cost for Ambulance	V	Number of samples collected from patient home
Overhead Costs (IT, Utilities, Vehicle Depreciation, etc)	F	
Sample Analysis		
Cost Category	Nature	Driving Activity
Laboratory Staff Costs		
Salary of Lab Technician Staff	V	1. Number of samples analysed 2. Capacity of laboratory per work shift 3. Number of work shifts
Salary of Lab Assistant Staff	V	Number of work shifts
Salary of Microbiologist Staff	V	Number of work shifts
Consumables and Equipment		
RT-PCR Test Kits	V	Number of samples analysed
RNA Extraction Procedure	V	Number of samples analysed
Personal Protective Equipment	V	Number of lab technicians
Consumables (swab, gloves, etc)	V	Number of samples analysed
Other Costs		

Overhead Costs (IT, Utilities, Vehicle Depreciation, etc)	F	
---	---	--

Table S3: Cost components and the activities driving each of the components

The unit cost of each resource was determined based on discussions with laboratories conducting RT-PCR tests, and the unit costs are provided in Table S4. We determined a lower bound and upper bound for each resource cost along with the most likely value, to account for the heterogenous operating models and cost structures across various laboratories and districts within the state. This resulted in a range for total cost of testing.

	#	Cost Header	Unit of Cost	Lower Bound Cost/unit	Avg Cost/unit	Upper Bound Cost/unit
Sample Collection	1	Personal Protective Equipment	per item	₹500	₹600	₹750
	2	Viral Transport Medium	per item	₹150	₹200	₹300
	3	Additional Material for sample collection	per item	₹50	₹50	₹50
	4	Personnel - Phlebotomist (Public Sector)	per day	₹500	₹600	₹700
	5	Personnel - Phlebotomist (Private Sector)	per day	₹600	₹750	₹900
	6	Personnel - Ambulance Driver	per day	₹400	₹500	₹600
	7	Fuel (for Ambulance)	per km	₹8	₹10	₹12
	8	Average Distance travelled for collection of sample	per sample	10	15	25
Sample Analysis	1	RNA Extraction Process	per item	₹200	₹200	₹200
	2	Test Kit	per item	₹1,000	₹1,250	₹1,500
	3	Personal Protective Equipment	per item	₹500	₹600	₹750
	4	Additional Material for sample testing	per item	₹50	₹50	₹50
	5	Personnel - Lab Technician (Public Sector)	per shift	₹650	₹750	₹1,200
	6	Personnel - Lab Technician (Private Sector)	per shift	₹850	₹1,000	₹1,350
	7	Number of lab technicians per shift		2	2	3
	8	Number of PPEs used by lab personnel per shift		2	3	4
	9	Microbiologist(MBBS) - Public Sector	per shift	₹2,500	₹3,000	₹4,000
	10	Microbiologist(MBBS) - Private Sector	per shift	₹3,500	₹4,000	₹5,000
	11	Lab Fixed Costs (IT, Rent, Electricity, Managerial Staff ...)	per day	₹7,500	₹10,000	₹15,000

Table S4: Unit cost of each resource considered for calculating test cost.

For the number of tests to be performed per day, we took model-based estimates for the required frequency of testing, in order to identify symptomatic cases of COVID-19 within 4 days of symptom onset. To allow for the existing prevalence of respiratory symptomatics with non-COVID-19 aetiologies (who would also be eligible for testing), we used estimates from the Global Burden of Disease 2017 data for the prevalence of lower and upper respiratory infections ⁵. Overall, these estimates suggested a testing effort of 111,700 samples per day in Delhi. As described in the main text, this is an artificially resource-intensive scenario, aimed at providing an upper bound on the cost of a testing programme. As a benchmark, the number of samples being tested in the whole country were around 80,000 per day as of May 15th. In practice, strategies for timely detection should be substantially more efficient (i.e. at lower cost) than the scenario assumed here.

Assuming that 67% of the tests occur in public sector, and 30% of the samples are collected from patient homes, we calculated the cost per test to be ₹2,388 to ₹3,770. In table S5, we provide the costs for sample collection and analysis, along the total testing cost per day. A currency rate of \$1 = ₹70 was used to find costs in US \$.

	Lower Bound	Average	Upper Bound
Cost per sample collected	₹477	₹635	₹859
Cost per sample analysed	₹1,911	₹2,320	₹2,911
Cost per sample tested	₹2,388	₹2,955	₹3,770
Cost per sample tested (in US \$)	\$34.1	\$42.2	\$53.8
Total cost of Testing (in US\$ million)	\$3.81	\$4.72	\$6.02

Table S5: The cost of testing determined by the costing approach

Appendix 3: Economic Loss due to Lockdown

We selected Delhi as an illustrative example of a megacity, for the purpose of estimating the economic impact per week of lockdown. The estimated annual GDP generated by the state of Delhi is \$123 billion in 2019-20^{6,7}. The sectors forming the GDP were identified from the Economic Survey of India⁸, and values for Delhi's composition were based on data from 2015-16.⁹ We used information from the lockdown guidelines issued by Government of India¹⁰, media reports^{7,11-14} and discussion with subject matter experts to classify the productivity loss into one of four categories of impact: low impact (10% loss in productivity), medium impact (50% loss in productivity), high impact (75% loss in productivity), and closed (complete shutdown of activities with 100% loss in productivity). We created three scenarios (optimistic, realistic and pessimistic), with productivity loss classified differently in each scenario. In table S6, the classification of each sector is illustrated.

Level	Sector	% of GDP	Optimistic	Realistic	Pessimistic
1	Agriculture Sector	1.00			
1.1	Agriculture, forestry & fishing	1.00%			
1.11	Crops	0.62%	Low	Medium	Medium
1.12	Livestock	0.26%	High	Closed	Closed
1.13	Forestry & logging	0.07%	High	Closed	Closed
1.14	Fishing and aquaculture	0.05%	High	Closed	Closed
2	Industry Sector	9.00%			
2.1	Mining & quarrying	0.00%	Closed	Closed	Closed
2.2	Manufacturing	3.00%			
2.21	Food Products, Beverages and Tobacco	0.27%	High	High	High
2.22	Textiles, Apparel and Leather Products	0.41%	High	Closed	Closed
2.23	Metal Products	0.32%	High	Closed	Closed
2.24	Machinery and Equipment	0.71%	High	High	Closed
2.25	Other Manufactured Goods	1.29%	Medium	High	High
2.3	Electricity, gas, water supply & other utility services	1.00%	Low	Low	Low
2.4	Construction	5.00%	High	High	Closed
3	Services Sector	90.00%			
3.1	Trade, repair, hotels and restaurants	17.00%			
3.11	Trade & repair services	15.50%	High	Closed	Closed
3.12	Hotels & restaurants	1.50%	High	High	High
3.2	Transport, storage, communication & services related to broadcasting	6.00%			
3.21	Railways	0.68%	High	Closed	Closed
3.22	Road transport	2.79%	Medium	Medium	High
3.23	Water transport	0.04%	Medium	High	High
3.24	Air transport	0.13%	Closed	Closed	Closed
3.25	Services incidental to transport	0.67%	High	High	High
3.26	Storage	0.04%	Low	Low	Low
3.27	Communication & services related to broadcasting	1.64%	Low	Medium	Medium

3.3	Financial, real estate & prof servs	51.00%			
3.31	Financial services	13.27%	Low	Medium	Medium
3.32	Real estate, ownership of dwelling & professional services	37.76%	High	High	Closed
3.4	Community, social & pers. Servs	16.00%			
3.41	Public administration & defence	3.00%	Low	Low	Low
3.42	Other services	13.00%	Medium	Medium	High

Table S6: Assessed impact to each sector of economy for the state of Delhi.

Based on the impact categorization of each sector, we found a productivity loss of 58% in the optimistic scenario, 68.9% in the realistic scenario, and 83.7% in the pessimistic scenario. Thus, applying the three scenarios, we estimated the daily loss to GDP due to lockdown to be \$196 million in the optimistic scenario, \$233 million in the realistic scenario, and \$283 million in the pessimistic scenario.

References

1. Van Den Driessche, P. & Watmough, J. Reproduction numbers and sub-threshold endemic equilibria for compartmental models of disease transmission. *Math. Biosci.* **180**, 29–48 (2002).
2. Lauer, S. A. *et al.* The Incubation Period of Coronavirus Disease 2019 (COVID-19) From Publicly Reported Confirmed Cases: Estimation and Application. *Ann. Intern. Med.* (2020). doi:10.7326/M20-0504
3. Ferguson, N. M., Laydon, D., Gemma, N.-G. & *et al.* *Impact of non-pharmaceutical interventions (NPIs) to reduce COVID-19 mortality and healthcare demand.* (2020). doi:https://doi.org/10.25561/77482
4. Delhi Planning Department. *Economic Survey of Delhi 2018-19.* (2020).
5. Global Burden of Disease Collaborative Network. *Global Burden of Disease Study 2017 (GBD 2017) Results.* (2018).
6. International Monetary Fund. *World Economic Outlook.* (2019).
7. KPMG. *Potential impact of COVID-19 on the Indian economy.*
8. Ministry of Finance. *Economic survey of India 2019-2020.* (2020).
9. Indicus Analytics. *District GDP of India 2015-16: Premium Plus Version [Data File].*
10. Ministry of Home Affairs. *Guidelines on the measures to be taken by Ministries/Departments of Government of India, State/Union Territory Governments and State Union Territory Authorities for containment of COVID19 Epidemic in India.* (2020).
11. Business Today. Coronavirus crisis: Lockdown to wipe off Rs 10 lakh crore from economy, warns HDFC Bank report. (2020). Available at: <https://www.businesstoday.in/current/economy-politics/coronavirus-crisis-21-day-lockdown-wipe-off-rs-10-lakh-crore-economy/story/399708.html>.
12. Money Control. Nationwide lockdown to cost Indian economy \$4.64 bn every day: Acuite Ratings.
13. The Economic Times. India can avoid devastation only if, carefully, economic activity is normalised and lockdown curbs removed. (2020).
14. Coronavirus: India may lose Rs 8 lakh crore of GDP to lockdown. *Deccan Herald* (2020).