

## ***Estimating the impact of the RTS,S/AS01 malaria vaccine in Benin: A mathematical modelling study.***

### **Mathematical model description**

**Authors:** *Sena Alohoutade*<sup>1\*</sup>, *Rachel Hounsell*<sup>1,2</sup>, *Sheetal Silal*<sup>1,2</sup>

<sup>1</sup> Modelling and Simulation Hub, Africa, Department of Statistical Sciences, University of Cape Town, Cape Town, South Africa

<sup>2</sup> Centre for Global Health, Nuffield Department of Medicine, Oxford University, Oxford, United Kingdom

\* To whom correspondence should be addressed: [alhsen001@myuct.ac.za](mailto:alhsen001@myuct.ac.za)

This document provides a description of the methodology, equations, parameters underlying the mathematical model and the supplementary material of the study.

The model is a deterministic age-structured dynamic compartmental model accounting for ITN use and seasonality to estimate the impact of the RTS,S malaria vaccine on malaria cases and deaths in Benin.

As the burden of malaria varies by age, the model considered the age structure of the population, determined by both the vaccination schedule and the age profile for the severity of the disease.

The model categorises the human population into three age groups: children from birth to six months, those aged six months to five years, and individuals aged five years and older. Susceptible individuals are exposed to infectious bites at a rate depending on mosquito density and infectivity. Following exposure (E), there is a latent period after which the infected individuals may experience an asymptomatic (A) episode of malaria according to their immunity level or develop clinical symptoms (C). The chance of symptomatic disease decreases with continued exposure due to the development of naturally acquired immunity. Asymptomatic individuals do not display symptoms but can transmit parasites to mosquitoes. However, asymptomatic individuals recover naturally after a period of time.

A clinical episode, where individuals are symptomatic, can be uncomplicated (C) or progress to a severe malaria episode (F) which can result in death.

We assume that after recovery, individuals might be re-exposed and flow to the L compartment from which they might experience an asymptomatic or symptomatic episode of malaria at a different proportion from the first exposure.

We consider a natural mortality rate from each human compartments. However, malaria-attributable deaths are explicitly incorporated and considered in the severe stage of modelled infection. We assume that children age between groups at a rate  $\zeta$ .

We also assumed that susceptible, asymptomatic or recovered individuals at the age of six months may be vaccinated. Vaccinated individuals in the model may be infected and develop an asymptomatic or symptomatic episode of malaria. The vaccine effectiveness is defined as the relative reduction in clinical and severe malaria cases in the vaccinated compared to the unvaccinated population. Thus, after exposure the vaccinated children flow to their own compartments ( $A_v$ ,  $C_v$ ,  $T_v$ ,  $R_v$ ,  $L_v$ ) at a proportion which is different from the one of the unvaccinated children. Vaccinated individuals might lose immunity due to waning after four years.

The system is depicted in Figure 1 and described by the following set of ordinary differential equations with compartment descriptions in Table 1 and parameters description in Table 2.

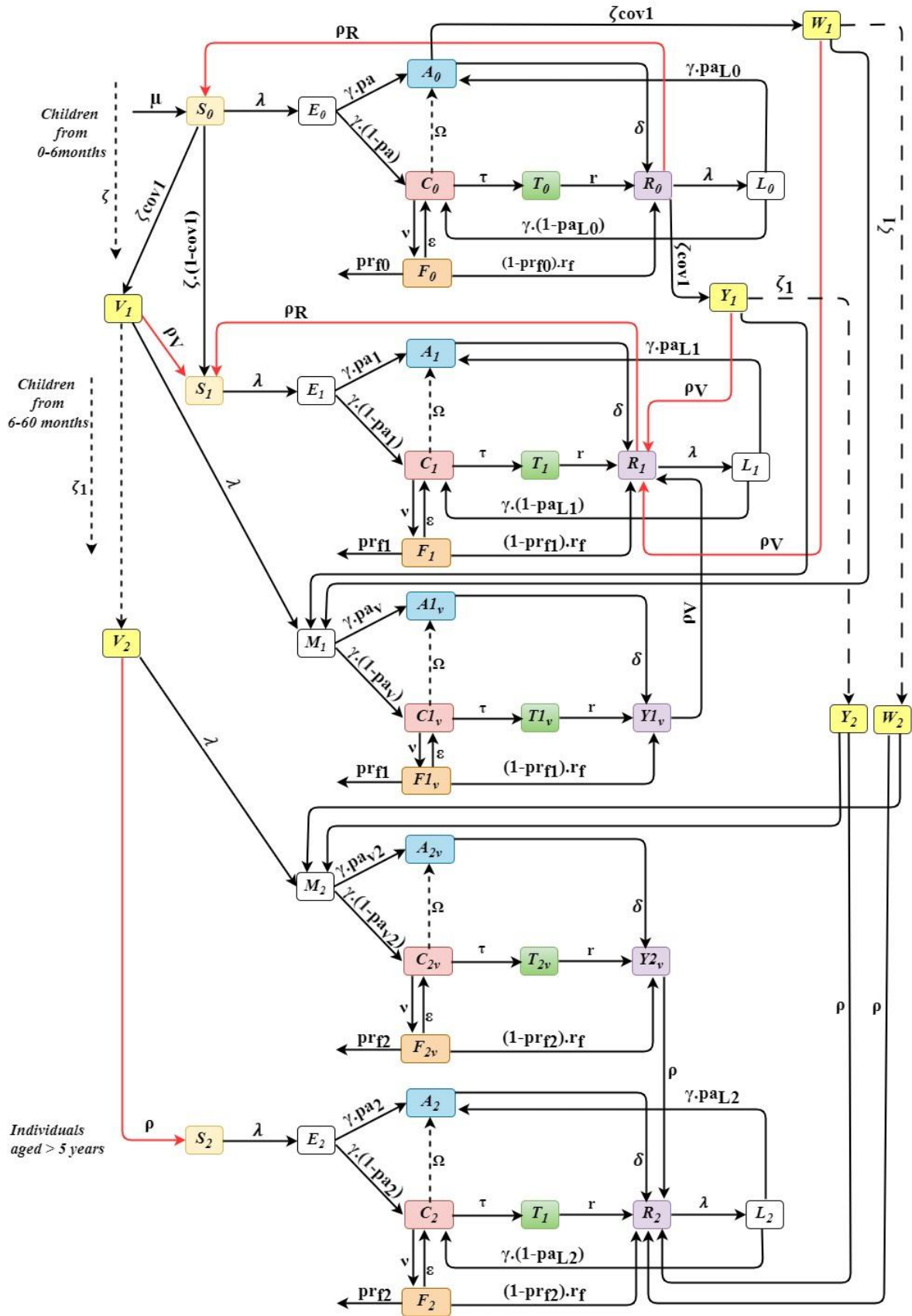
### **Key assumptions for each age group**

*The following are the assumptions that have been made for all the age group.*

- A clinical episode can be uncomplicated, leading to treatment, recovery, and a return to the susceptible compartment after immunity is lost.
- A clinical episode can progress to a severe episode, with some severe cases resulting in death.
- The potential to die from malaria infection occurs only when a patient experiences a severe episode of malaria.

*However the following are the additional assumptions that applied for the second age group (6 to 60 months).*

- Only susceptible, asymptomatic, or recovered individuals at the age of 6 months can be vaccinated.
- Vaccinated individuals can still be exposed and develop either asymptomatic or symptomatic malaria, but they move to different compartments than unvaccinated individuals.
- The immunity from vaccination wanes after a certain period (assumed to be 4 years).



**Fig 1:** Compartmental model description

### Equations for children from birth to 6 months.

$$\frac{dS_0}{dt} = \mu_h P - \lambda S_0 + \rho_R R_0 - \mu_h S_0 - \zeta \cdot cov1 \cdot S_0 - \zeta \cdot (1 - cov1) \cdot S_0$$

$$\frac{dE_0}{dt} = \lambda S_0 - (\gamma_h + \mu_h) E_0 - \zeta E_0$$

$$\frac{dA_0}{dt} = \gamma_h \cdot pa \cdot E_0 - (\delta + \mu_h) A_0 + \omega \cdot C_0 + \gamma_h \cdot pa_{L_0} \cdot L_0 - \zeta \cdot cov1 \cdot A_0 - \zeta \cdot (1 - cov1) \cdot A_0$$

$$\frac{dC_0}{dt} = \gamma_h \cdot (1 - pa) E_0 - (\tau + \mu_h) C_0 + \varepsilon \cdot F_0 - (\nu + \omega) C_0 + \gamma_h \cdot (1 - pa_{L_0}) L_0 - \zeta C_0$$

$$\frac{dF_0}{dt} = \nu \cdot C_0 - (\varepsilon + \mu_h) \cdot F_0 - \zeta \cdot F_0 - \tau \cdot (1 - pr_{f_0}) \cdot F_0 - \tau \cdot pr_{f_0} \cdot F_0$$

$$\frac{dT_0}{dt} = \tau \cdot C_0 - (r + \mu_h) T_0 + \tau \cdot (1 - pr_{f_0}) \cdot F_0 - \zeta T_0$$

$$\frac{dR_0}{dt} = r T_0 + \delta A_0 - (\rho_R + \mu_h + \lambda) R_0 - \zeta \cdot cov1 \cdot R_0 - \zeta \cdot (1 - cov1) \cdot R_0$$

$$\frac{dL_0}{dt} = \lambda R_0 - (\gamma_h + \mu_h) L_0 - \zeta L_0$$

### Equations for children aged 6 months to 60 months (5 years)

$$\frac{dS_1}{dt} = \zeta \cdot (1 - cov1) \cdot S_0 - \lambda S_1 + \rho_R R_1 + \rho_V V_1 - (\mu_h + \zeta_1) S_1$$

$$\frac{dE_1}{dt} = \zeta E_0 + \lambda S_1 - (\gamma_h + \mu_h) E_1 - \zeta_1 E_1$$

$$\frac{dA_1}{dt} = \zeta \cdot (1 - cov1) \cdot A_0 + \gamma_h \cdot pa_1 \cdot E_1 - (\delta + \mu_h) A_1 + \omega \cdot C_1 + \gamma_h \cdot pa_{L_1} \cdot L_1 - \zeta_1 A_1$$

$$\frac{dC_1}{dt} = \zeta C_0 + \gamma_h \cdot (1 - pa_1) E_1 - (\tau + \mu_h) \cdot C_1 + \varepsilon \cdot F_1 - (\omega + \nu) C_1$$

$$+ \gamma_h \cdot (1 - pa_{L_1}) L_1 - \zeta_1 C_1$$

$$\frac{dF_1}{dt} = \zeta \cdot F_0 + \nu \cdot C_1 - (\varepsilon + \mu_h) \cdot F_1 - \zeta_1 \cdot F_1 - \tau \cdot (1 - pr_{f_1}) \cdot F_1 - \tau \cdot pr_{f_1} \cdot F_1$$

$$\frac{dT_1}{dt} = \zeta T_0 + \tau \cdot C_1 - (r + \mu_h) T_1 + \tau \cdot (1 - pr_{f_1}) \cdot F_1 - \zeta_1 \cdot T_1$$

$$\frac{dR_1}{dt} = \zeta \cdot cov1 \cdot R_0 + r T_1 + \delta A_1 - (\rho_R + \mu_h + \lambda) \cdot R_1 - \zeta_1 \cdot R_1 + \rho_Y \cdot Y_1 + \rho_{YV} \cdot Y_{1V} + \rho_W \cdot W_1$$

$$\frac{dL_1}{dt} = \zeta L_0 + \lambda R_1 - (\gamma_h + \mu_h) L_1 - \zeta_1 L_1$$

$$\frac{dV_1}{dt} = \zeta \cdot cov1 \cdot S_0 - \rho_V \cdot V_1 - \lambda \cdot V_1 - (\mu_h + \zeta_1) \cdot V_1$$

$$\frac{dW_1}{dt} = \zeta \cdot cov1 \cdot A_0 - \rho_W \cdot W_1 - \lambda \cdot W_1 - (\mu_h + \zeta_1) \cdot W_1$$

$$\frac{dY_1}{dt} = \zeta \cdot cov1 \cdot R_0 - \rho_Y \cdot Y_1 - \lambda \cdot Y_1 - (\mu_h + \zeta_1) \cdot Y_1$$

$$\frac{dM_1}{dt} = \lambda \cdot V_1 + \lambda \cdot W_1 + \lambda \cdot Y_1 - (\gamma_h + \mu_h) \cdot M_1$$

$$\frac{dA_{1V}}{dt} = \gamma_h \cdot paV \cdot M_1 - (\delta + \mu_h) \cdot A_{1V} + \omega \cdot C_{1V}$$

$$\frac{dC_{1V}}{dt} = \gamma_h \cdot (1 - paV) \cdot M_1 - (\tau + \mu_h) \cdot C_{1V} + \varepsilon \cdot F_{1V} - (v + \omega) \cdot C_{1V}$$

$$\frac{dF_{1V}}{dt} = v \cdot C_{1V} - (\varepsilon + \mu_h) \cdot F_{1V} - \tau \cdot (1 - pr_{f1}) \cdot F_{1V} - \tau \cdot pr_{f1} \cdot F_1$$

$$\frac{dT_{1V}}{dt} = \tau \cdot C_{1V} - (r + \mu_h) \cdot T_{1V} + \tau \cdot (1 - pr_{f1}) \cdot F_1$$

$$\frac{dY_{1V}}{dt} = r \cdot T_{1V} + \delta \cdot A_{1V} - \rho_Y \cdot Y_{1V} - \mu_h \cdot Y_{1V}$$

$$\frac{dV_2}{dt} = \zeta_1 \cdot V_1 - \rho \cdot V_2 - \lambda \cdot V_2 - \mu_h \cdot V_2$$

$$\frac{dW_2}{dt} = \zeta_1 \cdot W_1 - \rho \cdot W_2 - \lambda \cdot W_2 - \mu_h \cdot W_2$$

$$\frac{dY_2}{dt} = \zeta_1 \cdot Y_1 - \rho \cdot Y_2 - \lambda \cdot Y_2 - \mu_h \cdot Y_2$$

$$\frac{dM_2}{dt} = \lambda \cdot V_2 + \lambda \cdot W_2 + \lambda \cdot Y_2 - (\gamma_h + \mu_h) \cdot M_2$$

$$\frac{dA_{2V}}{dt} = \gamma_h \cdot paV_2 \cdot M_2 - (\delta + \mu_h) \cdot A_{2V} + \omega \cdot C_{2V}$$

$$\frac{dC_{2V}}{dt} = \gamma_h \cdot (1 - paV_2) \cdot M_2 - (\tau + \mu_h) \cdot C_{2V} + \varepsilon \cdot F_{2V} - (v + \omega) \cdot C_{2V}$$

$$\frac{dF_{2V}}{dt} = v \cdot C_{2V} - (\varepsilon + \mu_h) \cdot F_{2V} - \tau \cdot (1 - pr_{f2}) \cdot F_{2V} - \tau \cdot pr_{f2} \cdot F_{2V}$$

$$\frac{dT_{2V}}{dt} = \tau \cdot C_{2V} - (r + \mu_h) \cdot T_{2V} + \tau \cdot (1 - pr_{f_2}) \cdot F_{2V}$$

$$\frac{dY_{2V}}{dt} = r \cdot T_{2V} + \delta \cdot A_{2V} - \rho \cdot Y_{2V} - \mu_h \cdot Y_{2V}$$

### Equations for Individuals aged five years and older

$$\frac{dS_2}{dt} = \zeta_1 S_1 - \lambda S_2 + \rho_R R_2 - \mu_h S_2 + \rho \cdot V_2$$

$$\frac{dE_2}{dt} = \zeta_1 E_1 + \lambda S_2 - (\gamma_h + \mu_h) E_2$$

$$\frac{dA_2}{dt} = \zeta_1 A_1 + \gamma_h \cdot pa \cdot E_2 - (\delta + \mu_h) A_2 + \omega \cdot C_2 + \gamma_h \cdot pa_{L_2} \cdot L_2$$

$$\frac{dC_2}{dt} = \zeta_1 C_1 + \gamma_h \cdot (1 - pa_2) E_2 - (\tau + \mu_h) \cdot C_2 + \varepsilon \cdot F_2 - (\omega + \nu) C_2 + \gamma_h \cdot (1 - pa_{L_2}) L_2$$

$$\frac{dF_2}{dt} = \zeta_1 \cdot F_1 + \nu \cdot C_2 - (\varepsilon + \mu_h) \cdot F_2 - \tau \cdot (1 - pr_{f_2}) \cdot F_2 - \tau \cdot pr_{f_2} \cdot F_2$$

$$\frac{dT_2}{dt} = \zeta_1 T_1 + \tau_2 \cdot C_2 - (r_2 + \mu_h) T_2 + \tau \cdot (1 - pr_{f_2}) \cdot F_2$$

$$\frac{dR_2}{dt} = \zeta_1 R_1 + r T_2 + \delta A_2 - (\rho_R + \mu_h + \lambda) R_2 + \rho \cdot W_2 + \rho \cdot Y_2 + \rho \cdot Y_{2V}$$

$$\frac{dL_2}{dt} = \zeta_1 L_1 + \lambda R_2 - (\gamma_h + \mu_h) L_2$$

### Incorporating seasonality

Seasonality was modelled by multiplying the force of infection of the model by a seasonality factor. The average monthly rainfall at a country level was standardized and fitted to trigonometric function, which was then used as forcing function to account for seasonality.

The average monthly rainfall at a country level was downloaded as Climate Hazards Group InfraRed Precipitation with Station data (CHIRPS) for the period 2012 to 2023 from [climateserv.servirglobal.net](https://climateserv.servirglobal.net). We then use the `manipulate` package in R to conduct a simple calibration to ascertain the best value for parameters of the trigonometric function.

Seasonality factor =  $1 + \text{amp} * \cos(2 * \pi * (t - \text{phase}) / 365)$ , the seasonality factor has been termed as “seas” in  $\lambda_h$ .

$$\text{Resulting in } \lambda_h = \frac{\text{seas} * (1 - itn) * a^2 b c m \frac{I}{P}}{(\mu_m + a c \frac{I}{P})} \left( \frac{\gamma_m}{\gamma_m + \mu_m} \right)$$

Table 1. shows the various compartments, where  $i = 0, 1, 2$ , representing different age groups of the studied population

**Table 1. Description of compartments**

<b>Compartments</b>	<b>Description</b>
$S_i$	Susceptible population
$E_i$	Exposed population
$A_i$	Asymptomatic population
$C_i$	Population with uncomplicated malaria
$F_i$	Population with severe symptoms
$T_i$	Treated population
$R_i$	Recovered population
$L_i$	Exposed population after recovery
$V_i$	Vaccinated children from S compartment
$W_i$	Vaccinated children from A compartment
$Y_i$	Vaccinated children from R compartment
$M_i$	Exposed children after being vaccinated

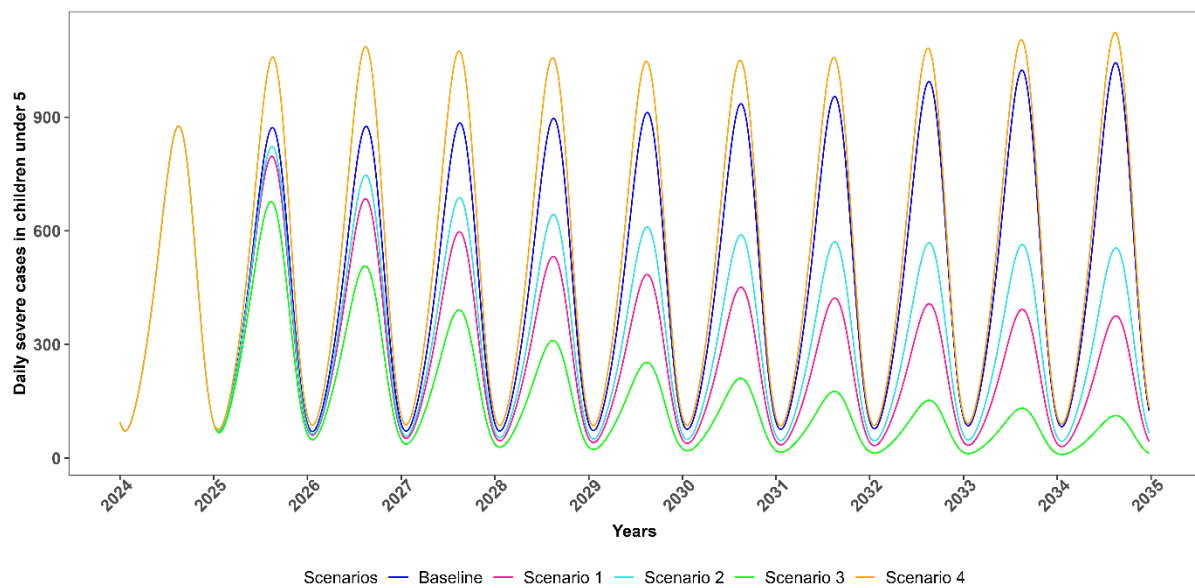
**Table 2. Parameters table**

Symbol	Description	Value	Units	Range	Source
$1/\mu_h$	Average life expectancy of the population	62.22	year	(62-63)	[1]
$1/\gamma_h$	Incubation period and time to gametocytemia in humans	14	days	(14-24)	[2,3]
$1/\Omega$	Duration of symptoms in untreated clinical infection	5	days	(5-15)	[4]
$1/\delta$	Duration of symptoms in untreated asymptomatic infection	130	days	(60,200)	[5]
$1/\tau$	Treatment seeking	3	days	(2-3)	[6]
$1/r$	Time taken to clear asexual parasites after treatment	3	days	(3,7)	[7] assumption for a context of good access to care
$1/\rho_R$	Duration of immunity in an individual	160	days	(100-730)	[8]
$1/\varepsilon$	Duration of severe symptoms	20	days		assumption
$1/v$	Duration of progress from clinical to severe infection	7	days	(3-10)	[9]
$p_a$	Proportion of asymptomatic children	21	%		[10,11]
VE	Vaccine effectiveness	75	%	(45-80)	[12]
itn_eff	effectiveness of bednets	44	%	(37-46)	[13]
$1/\rho_v$	Duration of immunity in vaccinated children	4	year	(3-5)	[14]
$1/\mu_m$	Average life expectancy of mosquito	15	days		[15]

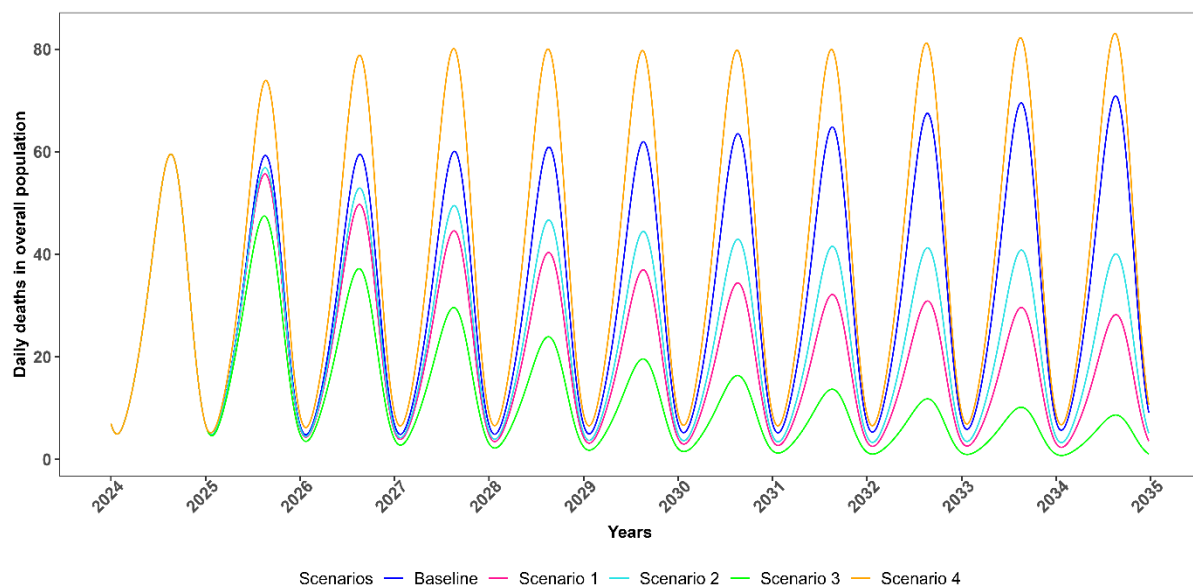


$1/\gamma_m$	Duration of latent period in mosquitoes	10	days	(5,15)	[16]
amp	Amplitude of seasonal variation	0.86	na	(0,1)	<i>estimated from country data</i>
phase	Month of peak transmission	(6-7)	month		<i>estimated from country data</i>
$1/\zeta$	Aging rate from birth to 6 months old	6	month		-
$1/\zeta_1$	Aging rate from 6 months to 5-year-old	54	month		-

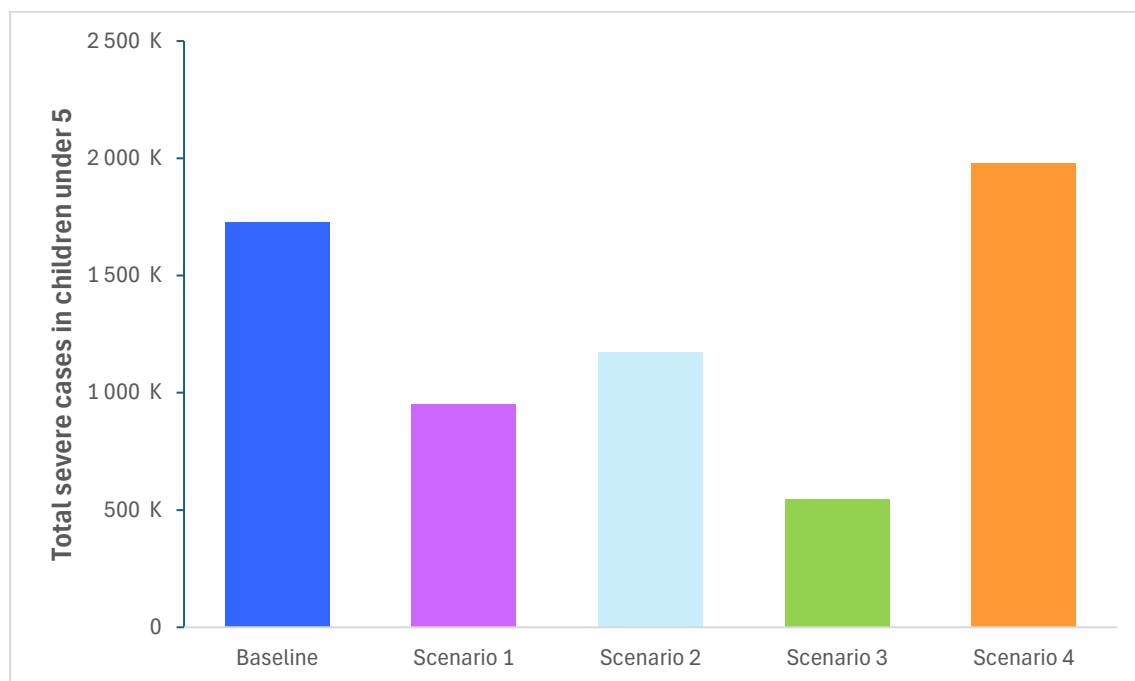
### Additional results



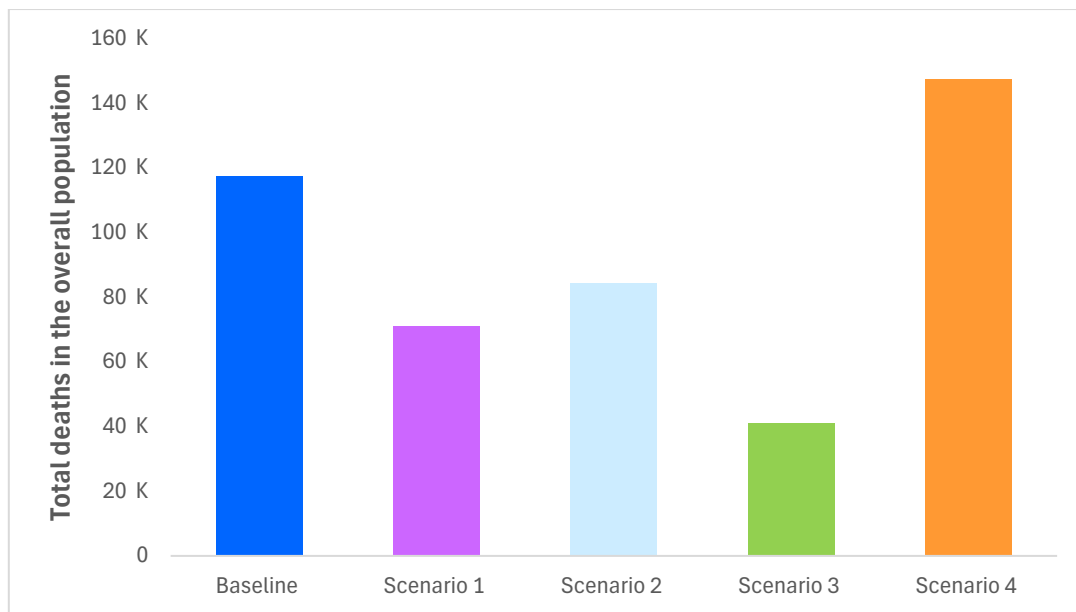
**Fig 2:** Projected trajectories of reported *P.falciparum* malaria daily severe cases in CU5 (2025-2034)



**Fig 3:** Projected trajectories of reported *P.falciparum* malaria daily deaths in the overall population (2025-2034)



**Fig 4:** Total projected severe cases in children under five (2025-2034)



**Fig 5:** Total projected deaths in the overall population (2025-2034)

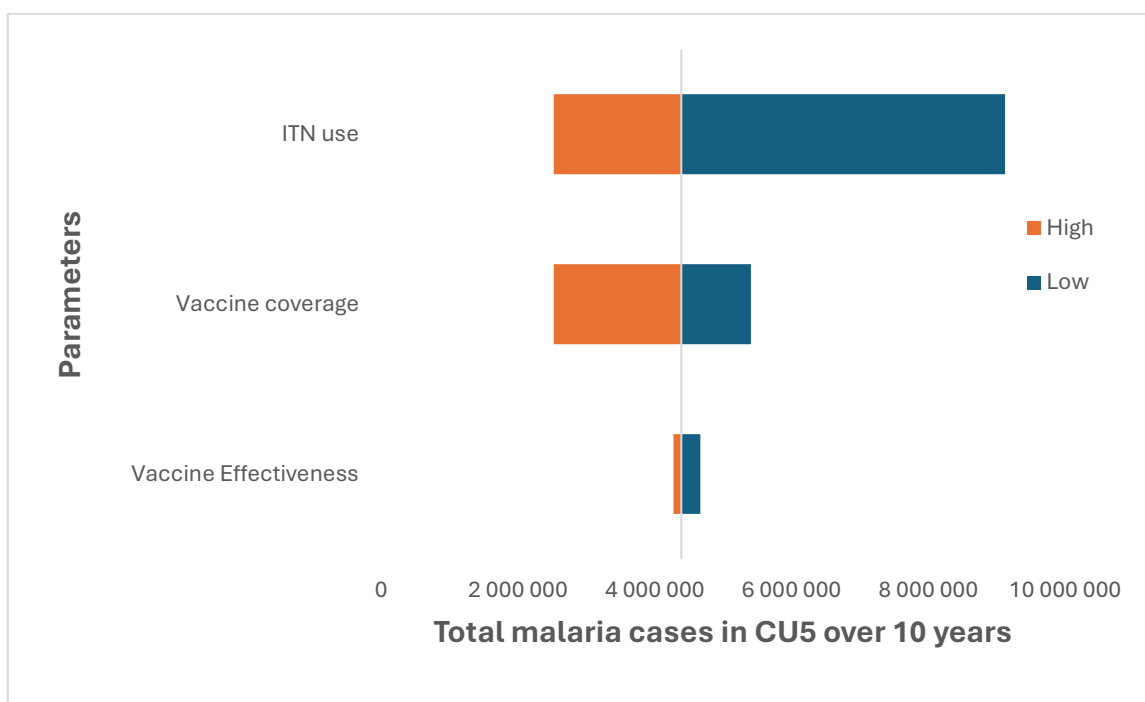
### Sensitivity analysis

A sensitivity analysis has been conducted to evaluate the validity of our results and determine how changes in key parameters influence the projected impact on malaria cases and mortality rates over the 10-year period.

The analysis shows that the number of malaria cases is most sensitive to changes in ITN use, with a percentage change of approximately 107.94% when ITN use is decreased from its base level (60%) to the low value (40%), and 42.46% when increased to the high value (70%).

This strengthens the results of our simulation, confirming that increasing ITN use can substantially reduce malaria cases. In comparison, changes in vaccine coverage have a notable but lesser effect, with a 23.15% increase in cases when coverage is reduced to the low value (50%) and a 42.46% decrease when increased to the high value (85%).

Vaccine effectiveness shows the least sensitivity, with changes of 6.34% and 2.62% for decreases and increases, respectively. These results suggest that while all three parameters are important, enhancing ITN use and vaccine coverage should be prioritized for the most effective reduction in malaria cases among children. Figure 6 illustrates the outcome of the sensitivity analysis conducted and Table 3 gives the range of the parameters for sensitivity analysis.



**Fig 6:** Sensitivity analysis

**Table 3: Parameters and Their values for Sensitivity Analysis**

	<b>Base</b>	<b>Low</b>	<b>High</b>
<b>ITN use</b>	60%	40%	70%
<b>Vaccine coverage</b>	76%	50%	85%
<b>Vaccine effectiveness</b>	75%	50%	80%

## Bibliography

1. Benin Life Expectancy 1950-2024. [cited 15 Jul 2024]. Available: <https://www.macrotrends.net/global-metrics/countries/BEN/benin/life-expectancy>
2. Chitnis N, Hyman JM, Cushing JM. Determining important parameters in the spread of malaria through the sensitivity analysis of a mathematical model. *Bull Math Biol.* 2008;70: 1272–1296. doi:10.1007/s11538-008-9299-0
3. Silal SP, Little F, Barnes KI, White LJ. Predicting the impact of border control on malaria transmission: a simulated focal screen and treat campaign. *Malaria Journal.* 2015;14: 268. doi:10.1186/s12936-015-0776-2
4. Thompson HA, Hogan AB, Walker PGT, Winskill P, Zongo I, Sagara I, et al. Seasonal use case for the RTS,S/AS01 malaria vaccine: a mathematical modelling study. *The Lancet Global Health.* 2022;10: e1782–e1792. doi:10.1016/S2214-109X(22)00416-8
5. Felger I, Maire M, Bretscher MT, Falk N, Tiaden A, Sama W, et al. The Dynamics of Natural Plasmodium falciparum Infections. *PLOS ONE.* 2012;7: e45542. doi:10.1371/journal.pone.0045542
6. Hamilton A, Haghpanah F, Hasso-Agopsowicz M, Frost I, Lin G, Schueller E, et al. Modeling of malaria vaccine effectiveness on disease burden and drug resistance in 42 African countries. *Commun Med (Lond).* 2023;3: 144. doi:10.1038/s43856-023-00373-y
7. Sauboin C, Van Bellinghen L-A, Van De Velde N, Van Vlaenderen I. Economic Impact of Introducing the RTS,S Malaria Vaccine: Cost-Effectiveness and Budget Impact

Analysis in 41 Countries. *MDM Policy Pract.* 2019;4: 2381468319873324.

doi:10.1177/2381468319873324

8. Molineaux L, Gramiccia G, Organization WH. The Garki project : research on the epidemiology and control of malaria in the Sudan savanna of West Africa. World Health Organization; 1980. Available: <https://iris.who.int/handle/10665/40316>
9. Trampuz A, Jereb M, Muzlovic I, Prabhu RM. Clinical review: Severe malaria. *Crit Care.* 2003;7: 315–323.
10. Damien GB, Djènontin A, Rogier C, Corbel V, Bangana SB, Chandre F, et al. Malaria infection and disease in an area with pyrethroid-resistant vectors in southern Benin. *Malar J.* 2010;9: 380. doi:10.1186/1475-2875-9-380
11. Medjigbodo AA, Djossou L, Adoha CJ, Djihinto OY, Ogouyemi-Hounto A, Donnelly MJ, et al. Asymptomatic Plasmodium infection among primary schoolchildren and Anopheles-mediated malaria transmission: A cross-sectional study in Ouidah; southwestern Benin. *Parasite Epidemiol Control.* 2023;21: e00285.  
doi:10.1016/j.parepi.2023.e00285
12. RTS,S Clinical Trials Partnership. Efficacy and safety of RTS,S/AS01 malaria vaccine with or without a booster dose in infants and children in Africa: final results of a phase 3, individually randomised, controlled trial. *Lancet.* 2015;386: 31–45.  
doi:10.1016/S0140-6736(15)60721-8
13. Bed nets treated with new insecticide combinations reduced malaria infections by nearly half among children in Benin, according to new study. In: Unitaid [Internet]. [cited 15 Jul 2024]. Available: <https://unitaid.org/news-blog/bed-nets-treated-with-new->

insecticide-combinations-reduced-malaria-infections-by-nearly-half-among-children-in-benin-according-to-new-study/

14. RTS,S Clinical Trials Partnership. Efficacy and safety of RTS,S/AS01 malaria vaccine with or without a booster dose in infants and children in Africa: final results of a phase 3, individually randomised, controlled trial. *Lancet*. 2015;386: 31–45.  
doi:10.1016/S0140-6736(15)60721-8
15. Wanji S, Tanke T, Atanga SN, Ajonina C, Nicholas T, Fontenille D. Anopheles species of the mount Cameroon region: biting habits, feeding behaviour and entomological inoculation rates. *Trop Med Int Health*. 2003;8: 643–649. doi:10.1046/j.1365-3156.2003.01070.x
16. Chamchod F, Beier JC. Modeling Plasmodium vivax : relapses, treatment, seasonality, and G6PD deficiency. *J Theor Biol*. 2013;316: 25–34. doi:10.1016/j.jtbi.2012.08.024