

Exploring the Role of Superspreading Events in SARS-CoV-2 Outbreaks

Jordan Bramble^a, Alexander Fulk^b, Raul Saenz^c, Folashade B. Augusto^{b1}

^a*Department of Mathematics, University of Kansas, Lawrence, KS,*

^b*Department of Ecology and Evolutionary Biology, University of Kansas, Lawrence, KS*

^c*Department of Population Health, University of Kansas Medical Center, Kansas City, KS*

Abstract

1
2 The novel coronavirus SARS-CoV-2 emerged in 2019 and subsequently spread
3 throughout the world, causing over 529 million cases and 6 million deaths thus far.
4 In this study, we formulate a continuous-time Markov chain model to investigate the
5 influence of superspreading events (SSEs), defined here as public or social events that
6 result in multiple infections over a short time span, on SARS-CoV-2 outbreak dynamics.
7 Using Gillespie's direct algorithm, we simulate a continuous-time Markov chain model
8 for SARS-CoV-2 spread under multiple scenarios: first, with neither hospitalisation
9 nor quarantine; second, with hospitalisation, quarantine, premature hospital discharge,
10 and quarantine violation; and third, with hospitalisation and quarantine but neither
11 premature hospital discharge nor quarantine violation. We also vary quarantine vio-
12 lation rates. Results indicate that, in most cases, SSE-dominated outbreaks are more
13 variable but less severe than non-SSE-dominated outbreaks, though the most severe
14 SSE-dominated outbreaks are more severe than the most severe non-SSE-dominated
15 outbreaks. SSE-dominated outbreaks are outbreaks with relatively higher SSE rates.
16 In all cases, SSE-dominated outbreaks are more sensitive to control measures, with
17 premature hospital discharge and quarantine violation substantially reducing control
18 measure effectiveness.

19 Key words: SARS-CoV-2, superspreading events, human behavior, continuous-time
20 Markov chain, Gillespie's direct algorithm.

¹Correspondence Email: fbagusto@gmail.com

1 Introduction

Severe acute respiratory syndrome coronavirus 2 (SARS-CoV-2) is the causative agent of COVID-19. Since emerging in China's Hubei province in 2019, it has caused over 529 million cases and 6 million deaths worldwide [47], with over 84 million cases and 1 million deaths in the United States [16]. With an estimated basic reproduction number (\mathcal{R}_0) ranging from 2 to 4 [13], the virus is moderately infectious. COVID-19 has strained the U.S. healthcare system, with many hospitals nearing or exceeding capacity [2, 34, 24, 19] and some moving to ration care [8, 9, 11, 17, 25]. In response, both national and state-level governments have issued guidelines and mandates aimed at reducing transmission, ranging from social-distancing guidelines and mask mandates to stay-at-home orders and limits on large gatherings [36, 40].

The effectiveness of these guidelines and mandates has been hindered by imperfect adherence and compliance. For example, some people refuse to wear a mask [21]. Moreover, many people fail to social distance, despite doing so initially [23]. People also violate stay-at-home orders, with several being issued citations and some being arrested [22, 29, 31, 45]; more people than indicated by citations and arrests alone have likely violated stay-at-home orders, given the variability in enforcement protocols [4, 18]. Beyond refusing to mask, failing to social distance, and violating stay-at-home orders, some people also attend public or social events. This facilitates superspreading events (SSEs), defined here as public or social events that result in multiple infections over a short time span. Such events have contributed to SARS-CoV-2 spread [30]. All of the aforementioned are functions of human behavior.

SSEs differ from superspreading individuals (SIs), which we define here as individuals who cause disproportionately more infections over their infectious lifetime. Event- and individual-based superspreading are not mutually exclusive; people who cause SSEs may qualify as SIs. However, this is not always the case. People may cause multiple infections at a public/social event but not cause disproportionately more infections over their infectious lifetime. Likewise, not all who become SIs do so by causing SSEs. People may become SIs due to intrinsic factors, such as greater-than-average contact rates or viral shedding [3, 32]. Heterogeneity in contact rates is well-established, while heterogeneity in SARS-CoV-2 shedding is evident in Badu, et al's literature review [7] on SARS-CoV-2 viral loads, shedding, and transmission dynamics. Only a subset of the population may thus achieve SI status without causing SSEs, whereas anyone may cause SSEs under the right circumstances. Extrinsic factors such as crowding and poor ventilation potentiate SSEs [3, 6].

Event- and individual-based superspreading are incorporated into models using different frameworks. SSEs may be modeled via rare events resulting in multiple infections; these events may be caused by any individual, and their frequency and number of resulting infections each follow some distribution. This is the approach taken by James, et al [26]. SIs may be modeled via heterogeneity in infectivity; individual infectivity follows some distribution, the right tail of which corresponds to superspreader individuals. This is the approach taken by Lloyd, et al [32]. There are many other approaches

63 to modeling SIs [43, 37, 42, 38]. Note that while some of these articles mention super-
64 spreading events, their frameworks are nonetheless individual-based. Whereas most
65 superspreading-incorporating models use an individual-based framework, we use an
66 events-based framework.

67 In what follows, SSE-dominated outbreaks refer to outbreaks with relatively higher SSE
68 rates than non-SSE-dominated outbreaks; non-SSEs refer to non-SSE-related infection
69 events. The goals of this study are to investigate:

- 70 G1. The influence of SSEs relative to that of non-SSEs on outbreak dynamics
- 71 G2. The effectiveness of hospitalisation and quarantine as control measures for SSE-
72 versus non-SSE-dominated outbreaks
- 73 G3. The influence of quarantine violation on the effectiveness of quarantine for SSE-
74 versus non-SSE-dominated outbreaks

75 We incorporate SSEs into a continuous-time Markov chain (CTMC) model, impose a
76 constancy condition, and vary SSE and non-SSE rates to accomplish G1. The con-
77 stancy condition requires that the expected number of infections following the CTMC
78 model's first change in state remain constant for different SSE and non-SSE rates. We
79 simulate the CTMC model under multiple scenarios to accomplish G2:

- 80 (i). With neither hospitalisation nor quarantine (NHQ). This scenario excludes hos-
81 pitalization and quarantine.
- 82 (ii). With realistic hospitalization and quarantine (RHQ). This scenario includes hos-
83 pitalisation, quarantine, premature hospital discharge, and quarantine violation.
- 84 (iii). With idealistic hospitalization and quarantine (IHQ). This scenario includes hos-
85 pitalisation and quarantine but excludes premature hospital discharge and quar-
86 antine violation.

87 While simulating the CTMC model under these different scenarios partially addresses
88 G3, we also simulate it under RHQ with varying levels of quarantine violation to
89 accomplish G3. Our methods, results, and discussion are located in Sections 2, 3, and
90 4, respectively.

91 2 Methods

92 We derive our continuous-time Markov chain (CTMC) model from Agosto et. al.'s [1]
93 baseline COVID-19 model (see Section 2.1) and incorporate SSEs in Section 2.2. The
94 constancy condition is derived in Section 2.3. After formulating the CTMC model and
95 imposing the constancy condition, we detail our simulation protocol in Section 2.4.
96 Finally, we introduce two superspreading-incorporating, discrete-time Markov chain
97 (DTMC) models from literature [32, 26] in Section 2.5. These models' results are used
98 for comparison in Section 4.

99

2.1 Baseline COVID-19 Model

100

In Augusto et al's baseline COVID-19 model [1], the evolution of susceptible ($S(t)$), exposed ($E(t)$), asymptomatic ($A(t)$), symptomatic ($I(t)$), hospitalized ($H(t)$), quarantined ($Q(t)$), and removed ($R(t)$) individuals through time is governed by the system of ordinary differential equations given below:

101

102

103

$$\begin{aligned}
 \frac{dS}{dt} &= -\beta \frac{S(t)[I(t) + \eta_A A(t) + \eta_Q Q(t) + \eta_H H(t)]}{N(t)} \\
 \frac{dE}{dt} &= \beta \frac{S(t)[I(t) + \eta_A A(t) + \eta_Q Q(t) + \eta_H H(t)]}{N(t)} - \sigma E(t) \\
 \frac{dA}{dt} &= q\sigma E(t) - (\gamma_A + \delta_A)A(t) \\
 \frac{dI}{dt} &= (1 - q)\sigma E(t) + \nu_Q Q(t) + \nu_H H(t) - (\omega_Q + \omega_H + \gamma_I + \delta_I)I(t) \\
 \frac{dH}{dt} &= \omega_H I(t) - (\nu_H + \gamma_H + \delta_H)H(t) \\
 \frac{dQ}{dt} &= \omega_Q I(t) - (\nu_Q + \gamma_Q + \delta_Q)Q(t) \\
 \frac{dR}{dt} &= (\gamma_A + \delta_A)A(t) + (\gamma_I + \delta_I)I(t) + (\gamma_Q + \delta_Q)Q(t) + (\gamma_H + \delta_H)H(t)
 \end{aligned} \tag{1}$$

104

105

106

107

108

109

The exposed and asymptomatic classes account for the virus' incubation period and the reduced infectiousness of asymptomatic individuals. Meanwhile, hospitalisation and quarantine function as control measures. Movement of individuals from the hospitalized and quarantined classes back to the symptomatic class account for limited resources and human behavior. We refer to the former as premature hospital discharge and the latter as quarantine violation.

110

111

The model's flow diagram is displayed in Figure 1, and its parameters are defined in Table 1.

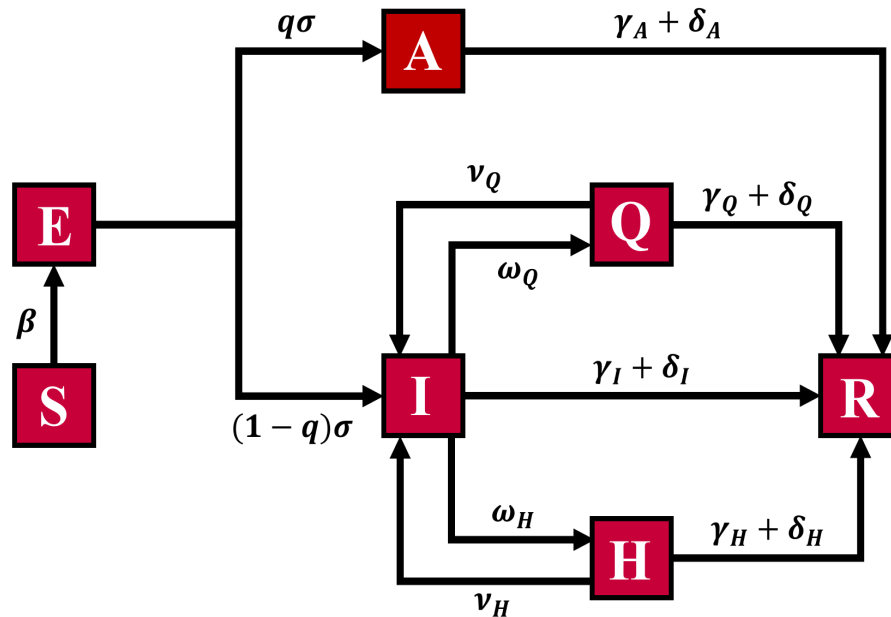


Figure 1: Compartmental flow diagram for the baseline COVID-19 model (1). Susceptible individuals are exposed upon initial infection, and exposed individuals are either asymptomatic or symptomatic once infectious. Asymptomatic individuals are removed upon recovery or death, while symptomatic individuals may be hospitalised or quarantined and are removed upon recovery or death. Hospitalised and quarantined individuals may be prematurely discharged from the hospital or violate quarantine and are removed upon recovery or death.

Parameter	Description	Value
β	Infection rate	0.4975
η_A, η_H, η_Q	Infection rate modifiers	0.45, 0.1362, 0.3408
q	Proportion that remain asymptomatic	0.5
σ	Disease progression rate	$\frac{1}{6}$
$\gamma_A, \gamma_I, \gamma_H, \gamma_Q$	Recovery rates	0.7565, 0.0775, 0.041, 0.083
ω_H, ω_Q	Hospitalization & quarantine rates	0.1977, 0.453
ν_H, ν_Q	Hospital discharge & quarantine violation rates	0.1301, 0.4605
$\delta_A, \delta_I, \delta_H, \delta_Q$	Death rates	0.00325, 0.0065, 0.0065, 0.0065

Table 1: Parameter values for the baseline COVID-19 model (1) from Augusto et. al. [1].

2.2 Continuous-Time Markov Chain Model

We limit ourselves to outbreak scenarios – specifically, the short time period following the introduction of a small number of infected individuals into a completely susceptible population – so that we may assume the following:

- (†) Population size and mixing is such that transmission events are independent of each other and unaffected by the depletion of susceptible individuals and accumulation of removed individuals [35].

This assumption is reasonable in outbreak scenarios because the number of infected individuals is small relative to the number of susceptible individuals. (†) implies that

$\frac{S}{N} \approx 1$, so we may approximate the rate at which individuals transition from S to E due to non-SSEs as

$$\frac{\beta S(\eta_A A + I + \eta_Q Q + \eta_H H)}{N} \approx \beta(\eta_A A + I + \eta_Q Q + \eta_H H).$$

119 The possible events corresponding to the baseline COVID-19 model (1) are:

$E_{S \rightarrow E} : S \rightarrow S - 1, E \rightarrow E + 1$ (An individual transitions from S to E)

$E_{E \rightarrow A} : E \rightarrow E - 1, A \rightarrow A + 1$ (An individual transitions from E to A)

$E_{A \rightarrow R} : A \rightarrow A - 1, R \rightarrow R + 1$ (An individual transitions from A to R)

$E_{E \rightarrow I} : E \rightarrow E - 1, I \rightarrow I + 1$ (An individual transitions from E to I)

$E_{I \rightarrow H} : I \rightarrow I - 1, H \rightarrow H + 1$ (An individual transitions from I to H)

$E_{I \rightarrow Q} : I \rightarrow I - 1, Q \rightarrow Q + 1$ (An individual transitions from I to Q)

$E_{I \rightarrow R} : I \rightarrow I - 1, R \rightarrow R + 1$ (An individual transitions from I to R)

$E_{H \rightarrow I} : H \rightarrow H - 1, I \rightarrow I + 1$ (An individual transitions from H to I)

$E_{H \rightarrow R} : H \rightarrow H - 1, R \rightarrow R + 1$ (An individual transitions from H to R)

$E_{Q \rightarrow I} : Q \rightarrow Q - 1, I \rightarrow I + 1$ (An individual transitions from Q to I)

$E_{Q \rightarrow R} : Q \rightarrow Q - 1, R \rightarrow R + 1$ (An individual transitions from Q to R)

120 $E_{S \rightarrow E}$ corresponds to a susceptible individual being exposed; $E_{E \rightarrow A}$ corresponds to
 121 an exposed individual becoming infectious but remaining asymptomatic; $E_{A \rightarrow R}$ cor-
 122 responds to an asymptomatic individual recovering or dying; $E_{E \rightarrow I}$ corresponds to
 123 an exposed individual becoming infectious and symptomatic; $E_{I \rightarrow H}$ corresponds to a
 124 symptomatic individual being hospitalised; $E_{I \rightarrow Q}$ corresponds to a symptomatic indi-
 125 vidual being quarantined; $E_{I \rightarrow R}$ corresponds to a symptomatic individual recovering or
 126 dying; ; $E_{H \rightarrow I}$ corresponds to a hospitalised individual being prematurely discharged
 127 from the hospital; and $E_{H \rightarrow R}$ corresponds to a hospitalised individual recovering or
 128 dying; $E_{Q \rightarrow I}$ corresponds to a quarantined individual violating quarantine; $E_{Q \rightarrow R}$ cor-
 129 responds to a quarantined individual recovering or dying.

130 Let $K \in \mathbb{N} \cup \{0\}$ be a Poisson random variable with expectation $\phi \in \mathbb{N}$. We incorporate
 131 SSEs by defining an additional event,

$$E_{SSE} : S \rightarrow S - k, E \rightarrow E + k \text{ (} k \text{ individuals transition from S to E),}$$

132 where k is some possible value of K . E_{SSE} corresponds to k susceptible individuals
 133 becoming exposed. The event thus generates a random number of infections over a
 134 short period of time. This differs from $E_{S \rightarrow E}$, which generates one infection. In what
 135 follows, we take $\psi \in \mathbb{R}^+$ to be the deterministic rate at which infected individuals
 136 cause SSEs. (\dagger) implies that SSEs involve a single infected individual and otherwise
 137 susceptible individuals, and assuming that hospitalized and quarantined individuals do
 138 not cause SSEs, we may take $\psi(\eta_A A + I)$ to be the deterministic rate at which SSEs
 139 occur.

140 Now, let $\tau \in \mathbb{R}^+$. By considering the above events' occurrence in a sufficiently small
 141 time interval, $(\tau, \tau + \Delta\tau)$, we may assume that at most one event occurs in this interval.

142

The probabilities corresponding to each event's occurrence in $(\tau, \tau + \Delta\tau)$ are then:

$$\begin{aligned}
 P(E_{S \rightarrow E}; \Delta\tau) &= \beta(\eta_A A + I + \eta_Q Q + \eta_H H)\Delta\tau & P(E_{SSE}; \Delta\tau) &= \psi(\eta_A A + I)\Delta\tau \\
 P(E_{E \rightarrow A}; \Delta\tau) &= q\sigma E\Delta\tau & P(E_{A \rightarrow R}; \Delta\tau) &= (\gamma_A + \delta_A)A\Delta\tau \\
 P(E_{E \rightarrow I}; \Delta\tau) &= (1 - q)\sigma E\Delta\tau & P(E_{I \rightarrow H}; \Delta\tau) &= \omega_H I\Delta\tau \\
 P(E_{I \rightarrow Q}; \Delta\tau) &= \omega_Q I\Delta\tau & P(E_{I \rightarrow R}; \Delta\tau) &= (\gamma_I + \delta_I)I\Delta\tau \\
 P(E_{H \rightarrow I}; \Delta\tau) &= \nu_H H\Delta\tau & P(E_{H \rightarrow R}; \Delta\tau) &= (\gamma_H + \delta_H)H\Delta\tau \\
 P(E_{Q \rightarrow I}; \Delta\tau) &= \nu_Q Q\Delta\tau & P(E_{Q \rightarrow R}; \Delta\tau) &= (\gamma_Q + \delta_Q)Q\Delta\tau
 \end{aligned}$$

143

$\Delta\tau$ is taken to be small enough that $\sum P(E_\xi; \Delta\tau) \leq 1$ for all $\tau \leq T$, where $\xi \in \{S \rightarrow E, SSE, E \rightarrow A, A \rightarrow R, E \rightarrow I, I \rightarrow H, I \rightarrow Q, I \rightarrow R, H \rightarrow I, H \rightarrow R, Q \rightarrow I, Q \rightarrow R\}$ and $T \in \mathbb{R}^+$; this ensures that the above are valid probabilities. We denote the set of all possible transitions as \mathbb{S}_T . The stochastic instantaneous rates at which events occur are obtained by dividing the above probabilities by $\Delta\tau$ and taking

144

145

146

147

$$\lim_{\Delta\tau \rightarrow 0^+} \frac{P(E_\xi; \Delta\tau)}{\Delta\tau}$$

148

for each ξ :

$$\begin{aligned}
 q(E_{S \rightarrow E}) &= \beta(\eta_A A + I + \eta_Q Q + \eta_H H) & q(E_{SSE}) &= \psi(\eta_A A + I) \\
 q(E_{E \rightarrow A}) &= q\sigma E & q(E_{A \rightarrow R}) &= (\gamma_A + \delta_A)A \\
 q(E_{E \rightarrow I}) &= (1 - q)\sigma E & q(E_{I \rightarrow H}) &= \omega_H I \\
 q(E_{I \rightarrow Q}) &= \omega_Q I & q(E_{I \rightarrow R}) &= (\gamma_I + \delta_I)I \\
 q(E_{H \rightarrow I}) &= \nu_H H & q(E_{H \rightarrow R}) &= (\gamma_H + \delta_H)H \\
 q(E_{Q \rightarrow I}) &= \nu_Q Q & q(E_{Q \rightarrow R}) &= (\gamma_Q + \delta_Q)Q
 \end{aligned}$$

149

From the stochastic instantaneous rates, we obtain the probabilities of given events being the next to occur. Letting $\Omega \doteq \sum q(E_\xi)$, we have:

150

$$\begin{aligned}
 P(E_{S \rightarrow E}) &= \frac{q(E_{S \rightarrow E})}{\Omega} & P(E_{SSE}) &= \frac{q(E_{SSE})}{\Omega} \\
 P(E_{E \rightarrow A}) &= \frac{q(E_{E \rightarrow A})}{\Omega} & P(E_{A \rightarrow R}) &= \frac{q(E_{A \rightarrow R})}{\Omega} \\
 P(E_{E \rightarrow I}) &= \frac{q(E_{E \rightarrow I})}{\Omega} & P(E_{I \rightarrow H}) &= \frac{q(E_{I \rightarrow H})}{\Omega} \\
 P(E_{I \rightarrow Q}) &= \frac{q(E_{I \rightarrow Q})}{\Omega} & P(E_{I \rightarrow R}) &= \frac{q(E_{I \rightarrow R})}{\Omega} \\
 P(E_{H \rightarrow I}) &= \frac{q(E_{H \rightarrow I})}{\Omega} & P(E_{H \rightarrow R}) &= \frac{q(E_{H \rightarrow R})}{\Omega} \\
 P(E_{Q \rightarrow I}) &= \frac{q(E_{Q \rightarrow I})}{\Omega} & P(E_{Q \rightarrow R}) &= \frac{q(E_{Q \rightarrow R})}{\Omega}
 \end{aligned}$$

151

The set of events $\mathbb{S}_E \doteq \{E_\xi : \xi \in \mathbb{S}_T\}$ and probabilities $\mathbb{S}_P \doteq \{P(E_\xi) : \xi \in \mathbb{S}_T\}$ constitute a continuous-time Markov chain. Our CTMC derivation from the baseline COVID-19 model (1) is adapted from Oluwatobiloba's CTMC derivations from simpler (SIS and SIR) models for infectious disease spread [39]. For further reading on infectious disease modeling, see [28], and for general reading on Markov chains, see [41, 10].

152

153

154

155

156

2.3 Constancy Condition

To investigate the relative influence of SSEs versus non-SSEs on outbreak dynamics, we impose a constancy condition by requiring that the expected number of infections following the first change in state remain constant for different rates of SSEs and non-SSEs. We denote this expectation as $\mathbb{E}_0(X)$, where $X \in \mathbb{N} \cup \{0\}$ is a random variable corresponding to the number of infections following a change in state. Note that these infections may be SSE- or non-SSE-related. Our constancy condition is adapted from James et al's [26] constancy condition. Assuming that James et al take $I_0 = 1$, both conditions may be derived using the pgfs of X given the systems' initial states. However, the interpretation of $E_0(X)$ differs, as the systems' state changes have different meanings (see Section 2.5).

Let $\beta^* = \kappa\beta$, where $\kappa \in [0, 1]$ and β is the fitted infection rate parameter (see Table 1), which we take to be the non-SSE rate in the absence of SSEs. This gives $\beta^* \in [0, \beta]$. We seek ψ , the SSE rate, such that the constancy condition is satisfied for an arbitrary β^* . To begin, we derive the pgf for X . Letting

$$\begin{aligned} \tilde{P}(X = 0) &= P(E_{EA}) + P(E_{AR}) + P(E_{EI}) + P(E_{IH}) + P(E_{IQ}) + P(E_{IR}) + P(E_{HI}) \\ &\quad + P(E_{HR}) + P(E_{QI}) + P(E_{QR}) \end{aligned}$$

and recalling that $K \sim \text{Poisson}(\phi)$, we have:

$$\begin{aligned} G(s) &= P(X = 0)s^0 + P(X = 1)s^1 + P(X = 2)s^2 + \dots + P(X = k)s^k + \dots \\ &= [P(E_{SSE} \& K = 0) + \tilde{P}(X = 0)]s^0 + [P(E_{SSE} \& K = 1) + P(E_{SE})]s^1 \\ &\quad + P(E_{SSE} \& K = 2)s^2 + \dots + P(E_{SSE} \& K = k)s^k + \dots \\ &= \tilde{P}(X = 0)s^0 + P(E_{SE})s^1 + P(E_{SSE})[P(K = 0)s^0 + P(K = 1)s^1 \\ &\quad + P(K = k)s^k + \dots] \\ &= \tilde{P}(X = 0)s^0 + P(E_{SE})s^1 + P(E_{SSE})\left[\frac{\phi^0}{0!}e^{-\phi}s^0 + \frac{\phi^1}{1!}e^{-\phi}s^1 + \frac{\phi^2}{2!}e^{-\phi}s^2 + \dots \right. \\ &\quad \left. + \frac{\phi^k}{k!}e^{-\phi}s^k + \dots\right] \\ &= \tilde{P}(X = 0) + P(E_{SE})s + P(E_{SSE})e^{\phi(s-1)} \end{aligned}$$

From the pgf, we obtain the expectation of X :

$$\mathbb{E}(X) = G'(1) = P(E_{SE}) + P(E_{SSE})\phi = \frac{\beta(\eta_A A + I + \eta_H H + \eta_Q Q) + \psi(\eta_A A + I)\phi}{\Omega}$$

Taking $\langle E, A, I, H, Q \rangle = \langle E_0, A_0, I_0, H_0, Q_0 \rangle$, where the latter are the initial numbers of exposed, asymptomatic, symptomatic, hospitalised, and quarantined individuals, $\mathbb{E}(X)$ becomes $\mathbb{E}_0(X)$. For further reading on pgfs and their properties and epidemiological applications, see [35, 44].

Next, we obtain ψ as a function of β^* . Letting $\mathbb{E}_{0,\beta}(X)$ and $\mathbb{E}_{0,\beta^*}(X)$ be the initial expectations when the non-SSE rates are β and $\beta^* < \beta$ and setting $E_{0,\beta}(X) = E_{0,\beta^*}(X)$,

180 we have:

$$\begin{aligned} \psi &= \frac{I_1(\beta - \beta^*)\Omega'}{I_2[\phi\Omega' + \beta I_1(\phi - 1)]}, & I_1 &= \eta_A A_0 + I_0 + \eta_H H_0 + \eta_Q Q_0 \\ & & I_2 &= \eta_A A_0 + I_0 \\ & & \Omega' &= \sigma E_0 + (\gamma_A + \delta_A)A_0 + (\omega_H + \omega_Q + \gamma_I + \delta_I)I_0 \\ & & &+ (\nu_H + \gamma_H + \delta_H)H_0 + (\nu_Q + \gamma_Q + \delta_Q)Q_0 \end{aligned} \quad (2)$$

181 Note that ψ is only defined for $I_2, \phi\Omega' + \beta I_1(\phi - 1) > 0$. The requirement that ψ be of
182 the above form constitutes our constancy condition.

Also note that ψ is invariant under scaling with respect to $\langle E_0, A_0, I_0, H_0, Q_0 \rangle$. Indeed, letting $c \in \mathbb{R}$, $\vec{v} = \langle E_0, A_0, I_0, H_0, Q_0 \rangle$, and $\vec{w} = \langle \sigma, \eta_A, \eta_H, \eta_Q, \omega_H, \omega_Q, \nu_H, \nu_Q, \gamma_A, \gamma_I, \gamma_H, \gamma_Q, \delta_A, \delta_I, \delta_H, \delta_Q \rangle$ and noting that $I_1(c\vec{v}; \vec{w}) = cI_1(\vec{v}; \vec{w})$, $I_2(c\vec{v}; \vec{w}) = cI_2(\vec{v}; \vec{w})$, and $\Omega'(c\vec{v}; \vec{w}) = c\Omega'(\vec{v}; \vec{w})$, we have:

$$\begin{aligned} \psi(c\vec{v}; \vec{w}) &= \frac{I_1(c\vec{v}; \vec{w})(\beta - \beta^*)\Omega'(c\vec{v}; \vec{w})}{I_2(c\vec{v}; \vec{w})[\phi\Omega'(c\vec{v}; \vec{w}) + \beta I_1(c\vec{v}; \vec{w})(\phi - 1)]} \\ &= \frac{cI_1(\vec{v}; \vec{w})(\beta - \beta^*)c\Omega'(\vec{v}; \vec{w})}{cI_2(\vec{v}; \vec{w})[\phi c\Omega'(\vec{v}; \vec{w}) + \beta cI_1(\vec{v}; \vec{w})(\phi - 1)]} \\ &= \frac{I_1(\vec{v}; \vec{w})(\beta - \beta^*)\Omega'(\vec{v}; \vec{w})}{I_2(\vec{v}; \vec{w})[\phi\Omega'(\vec{v}; \vec{w}) + \beta I_1(\vec{v}; \vec{w})(\phi - 1)]} \\ &= \psi(\vec{v}; \vec{w}) \end{aligned}$$

183 This property motivates our choice of initial conditions when simulating the CTMC
184 model (see Section 2.4).

185 2.4 Model Simulation

186 Because our model is a CTMC, it may be simulated using Gillespie's direct algorithm
187 [20, 28]. The algorithm is a direct (versus approximate) method for simulating stochastic
188 processes [20]. We simulated the model under the following scenarios:

- 189 (i). Neither hospitalization nor quarantine (NHQ), in which hospitalisation, quaran-
190 tine, premature hospital discharge, and quarantine violation are excluded from
191 the model; this is equivalent to excluding $E_{I \rightarrow H}$, $E_{I \rightarrow Q}$, $E_{H \rightarrow I}$, and $E_{Q \rightarrow I}$ from
192 the model
- 193 (ii). Realistic hospitalization and quarantine (RHQ), in which hospitalisation, quaran-
194 tine, premature hospital discharge, and quarantine violation are included in
195 the model; this is equivalent to including $E_{I \rightarrow H}$, $E_{I \rightarrow Q}$, $E_{H \rightarrow I}$, and $E_{Q \rightarrow I}$ in the
196 model
- 197 (iii). Idealistic hospitalization and quarantine (IHQ), in which hospitalisation and quaran-
198 tine are included in the model but premature hospital discharge and quarantine
199 violation are excluded; this is equivalent to including $E_{I \rightarrow H}$ and $E_{I \rightarrow Q}$ in the
200 model but excluding $E_{H \rightarrow I}$ and $E_{Q \rightarrow I}$

201 Note that RHQ corresponds to the baseline COVID-19 model (1). We also simulated
202 the model under RHQ with low quarantine violation (*lqv*) and high quarantine violation

203 (hqv). We denote these sub-scenarios as RHQ_{lqv} and RHQ_{hqv} . For lqv , we halved the
204 fitted value of quarantine violation ($\frac{1}{2}\nu_Q$), and for hqv , we doubled the fitted value of
205 quarantine violation ($2\nu_Q$).

206 Events were excluded by setting their corresponding stochastic instantaneous rates to
207 zero. In NHQ, ω_H , ω_Q , ν_H , and ν_Q were set to zero, thereby eliminating hospitalization,
208 quarantine, premature hospital discharge, and quarantine violation; in RHQ, ω_H , ω_Q ,
209 ν_H , and ν_Q remained set to their fitted values (see Table 1); and in IHQ, ω_H and
210 ω_Q remained set to their fitted values, while ν_H and ν_Q were set to zero, thereby
211 eliminating premature hospital discharge and quarantine violation.

212 The initial conditions for NHQ, RHQ, and IHQ were $\langle E_0, A_0, I_0, H_0, Q_0 \rangle = \langle 15, 2, 4, 0, 0 \rangle$,
213 $\langle 14, 2, 2, 1, 1 \rangle$, and $\langle 14, 2, 2, 1, 1 \rangle$, respectively; the CTMC model is independent of S_0
214 and R_0 . These initial conditions were obtained by simulating the baseline COVID-19
215 model (1) under each scenario with $\langle S_0, E_0, A_0, I_0, H_0, Q_0, R_0 \rangle = \langle 10^{10}, 20, 0, 0, 0, 0, 0 \rangle$
216 and recording the number of individuals in each class on day 3. S_0 was taken to be
217 10^{10} to ensure that the depletion of susceptible individuals had a negligible influence.
218 Recall that the constancy condition is not defined for $\langle E_0, A_0, I_0, H_0, Q_0 \rangle = \vec{0}$ and is
219 invariant under scaling of $\langle E_0, A_0, I_0, H_0, Q_0 \rangle$ (see Section 2.3). This motivates the
220 need for a realistic initial proportion of asymptomatic, symptomatic, hospitalised, and
221 quarantined individuals. The initial conditions for RHQ_{lqv} and RHQ_{hqv} were taken to
222 be the same as for RHQ.

223 For NHQ, RHQ, and IHQ, κ was varied from 0 to 1 in increments of 0.1, and ψ
224 was calculated for each β^* value using the constancy condition (2) with scenarios'
225 corresponding initial conditions and parameter sets. κ was also varied from 0 to 1 in
226 increments of 0.1 for RHQ_{lqv} and RHQ_{hqv} , but ψ was taken to be the same as for
227 RHQ; it was not re-calculated using $\frac{1}{2}\nu_Q$ or $2\nu_Q$. This allows for better isolation of
228 quarantine violation's influence on quarantine effectiveness for SSE- versus non-SSE-
229 dominated outbreaks.

230 Simulations were ended once either the disease went extinct or 50 active infections
231 were attained, similar to the approach taken in [32]. The number of extinctions and
232 total simulations were recorded to estimate the probabilities of outbreak extinction,
233 and for surviving outbreaks, the times at which 50 active infections were attained and
234 the cumulative numbers of SSE-related and non-SSE-related infections were recorded
235 for analysis. These times are hereafter referred to as stop times.

236 The number of simulations depended on the variances of the stop times. If the variance
237 was less than 1500, 50000 simulations were ran; if the variance was between 1500 and
238 15000, 500000 simulations were ran; and if the variance was greater than 15000, 1500000
239 simulations were ran. Table 2 gives the number of simulations for each parameter set.

$\langle \omega_Q, \omega_H, \nu_Q, \nu_H \rangle$	κ	Simulations
$\langle 0, 0, 0, 0 \rangle$	$[0, 1]$	50000
$\langle 0.453, 0.1977, 0.23025, 0.1301 \rangle$	$[0, 0.6]$	500000
$\langle 0.453, 0.1977, 0.23025, 0.1301 \rangle$	$[0.7, 1]$	50000
$\langle 0.453, 0.1977, 0.4605, 0.1301 \rangle$	$[0, 0.4]$	500000
$\langle 0.453, 0.1977, 0.4605, 0.1301 \rangle$	$[0.5, 1]$	50000
$\langle 0.453, 0.1977, 0.921, 0.1301 \rangle$	$[0, 1]$	50000
$\langle 0.453, 0.1977, 0, 0 \rangle$	$[0, 0.3]$	50000
$\langle 0.453, 0.1977, 0, 0 \rangle$	$[0.4, 0.5]$	500000
$\langle 0.453, 0.1977, 0, 0 \rangle$	$[0.6, 0.8]$	1500000
$\langle 0.453, 0.1977, 0, 0 \rangle$	$[0.9, 1]$	500000

Table 2: Number of simulations for each parameter set. $\langle 0, 0, 0, 0 \rangle$ corresponds to NHQ, $\langle 0.453, 0.1977, 0.23025, 0.1301 \rangle$ corresponds to RHQ_{lqv}, $\langle 0.453, 0.1977, 0.4605, 0.1301 \rangle$ corresponds to RHQ, $\langle 0.453, 0.1977, 0.921, 0.1301 \rangle$ corresponds to RHQ_{hqv}, and $\langle 0.453, 0.1977, 0, 0 \rangle$ corresponds to IHQ.

2.5 Discrete-Time Markov Chain Models

With CTMC models, the system may assume a new state at any time $t \in \mathbb{R}^+$; t is thus continuous. For our CTMC model, every time-step corresponds to a single event E_ξ , $\xi \in \mathbb{S}_T$, occurring. With discrete-time Markov chain (DTMC) models, the system may only assume a new state at times $\{t_k : k \in \mathbb{N}\}$; t is thus discrete. For Lloyd et al's [32] and James et al's [26] DTMC models, every time-step corresponds to the death of the current generation of infected individuals and birth of the next generation of infected individuals. The CTMC and DTMC models' state changes thus have different meanings.

Lloyd, et al [32] utilize an individual-based superspreading framework. They incorporate SIs into their DTMC via the random variable ν , the expected number of infections caused by an individual. Individuals thus have different potentials to infect others. They simulate their model under multiple scenarios, each of which assumes a different distribution for ν . We limit our comparison (see Section 4) to the scenario which assumes ν is γ -distributed. James, et. al. [26] utilize an event-based framework. They incorporate SSEs into their DTMC via ρ , the expected number of SSEs caused by an individual, and λ , the expected number of infections caused by an SSE. Every individual has the same potential to infect others.

3 Results

In each figure, κ increases from 0 to 1 in increments of 0.1; increasing values of κ correspond to decreasing rates of SSEs and increasing rates of non-SSEs. Note that, while all figures' x-axes are the same, their y-axes differ.

Scenario (i): Neither Hospitalisation nor Quarantine (NHQ)

In NHQ, hospitalization, quarantine, premature hospital discharge, and quarantine violation are excluded from the model. Figure 2(a) shows the distribution of stop

265 times. The maximum, mean, and median stop times strictly decrease for $\kappa \in [0, 1]$,
 266 while the minimum stop times are similar for $\kappa \in [0, 0.7)$ but strictly increase for
 267 $\kappa \in [0.7, 1]$. Figures 2(b) and 2(c) show the variances of stop times and probabilities
 268 of extinction, respectively. Both strictly decrease for $\kappa \in [0, 1]$, but they do so more
 269 quickly for smaller κ . Figure 2(d) shows the means of the cumulative numbers of SSE-
 270 related and non-SSE-related infections. Their curves are labelled as SSE and Non-SSE
 271 in the legend. The SSE curve strictly decreases with increasing κ , while the Non-SSE
 272 curve strictly increases. They do so more quickly for smaller κ and intersect between
 273 $\kappa = 0.4$ and $\kappa = 0.5$.

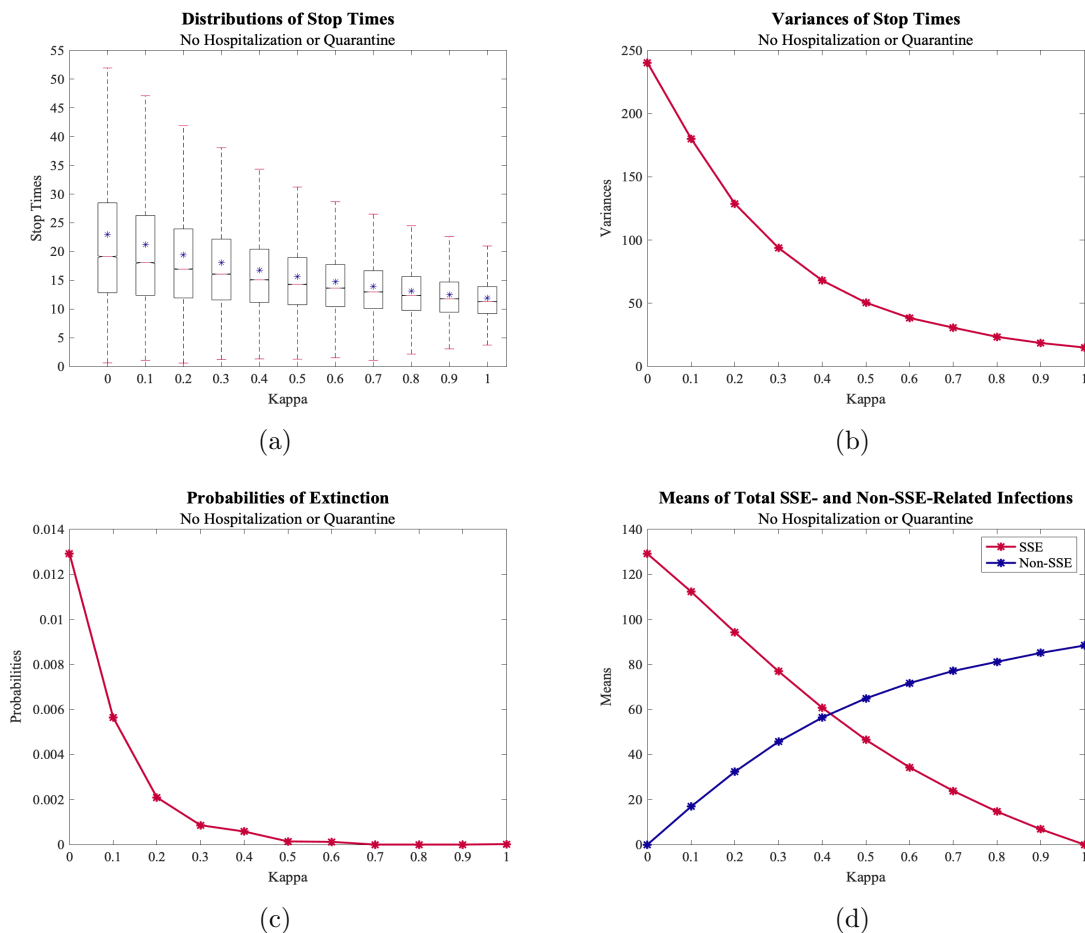


Figure 2: (a) Distributions of Stops Times (NHQ) (b) Variances of Stop Times for NHQ (c) Probabilities of Extinction for NHQ (d) Means of Cumulative Total of SSE- and Non-SSE-Related Infections for NHQ

274 Scenario (ii): Realistic Hospitalization and Quarantine (RHQ)

275 In RHQ, hospitalization, quarantine, premature hospital discharge, and quarantine
 276 violation are included in the model. Figure 3(a) shows the distribution of stop times.
 277 The maximum, mean, and median stop times strictly decrease for $\kappa \in [0, 1]$, while the
 278 minimum stop times are similar for $\kappa \in [0, 0.5)$ but generally increase for $\kappa \in [0.5, 1]$.
 279 Figures 3(b) and 3(c) show the variances of stop times and probabilities of extinction,

280 respectively. Both strictly decrease for $\kappa \in [0, 1]$, but they do so more quickly for
 281 smaller κ , the exception being the variances of stop times for $\kappa \in [0, 0.1]$. Figure
 282 3(d) shows the means of the cumulative numbers of SSE-related and non-SSE-related
 283 infections. Their curves are labelled as SSE and Non-SSE in the legend. The SSE
 284 curve strictly decreases with increasing κ , while the Non-SSE curved strictly increases.
 285 They do so more quickly for smaller κ and intersect between $\kappa = 0.4$ and $\kappa = 0.5$.

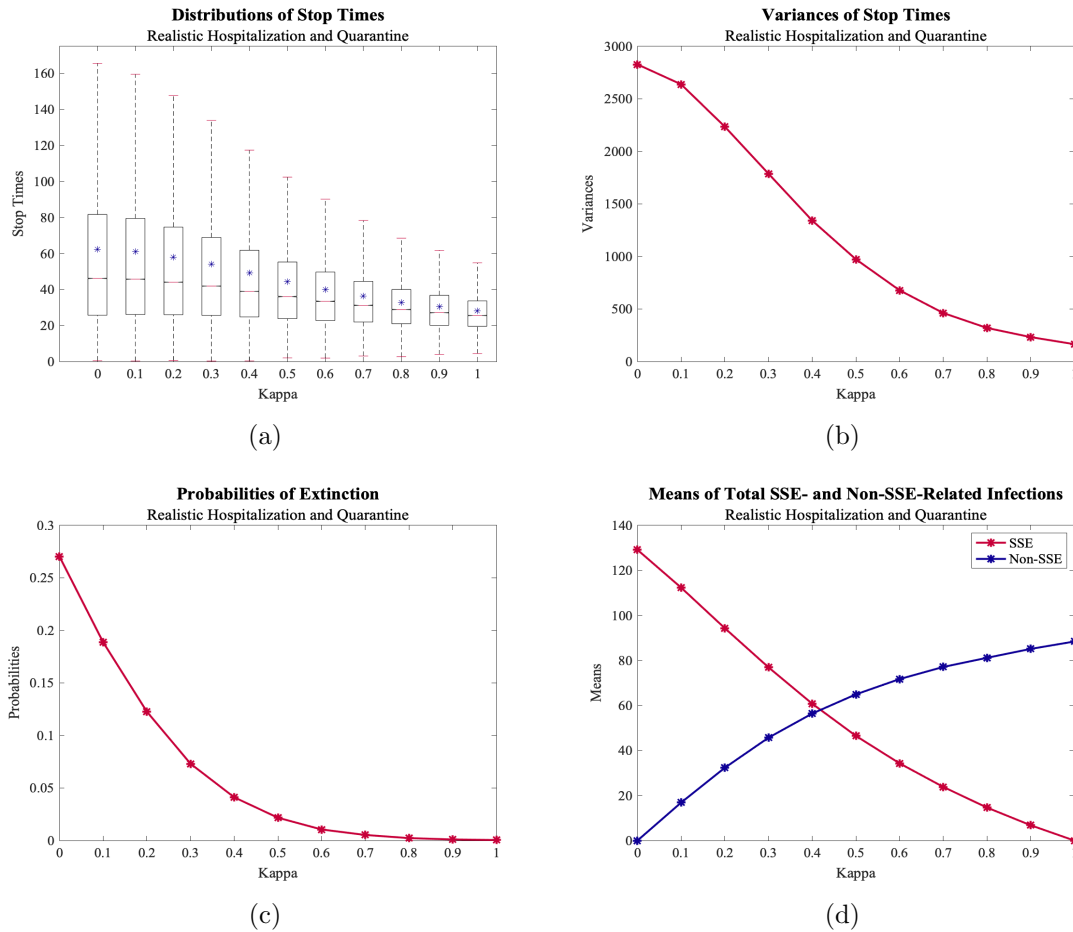


Figure 3: (a) Distributions of Stops Times (RHQ) (b) Variances of Stop Times for RHQ (c) Probabilities of Extinction for RHQ (d) Means of Cumulative Total of SSE- and Non-SSE-Related Infections for RHQ

286 Scenario (iii): Idealistic Quarantine and Hospitalization (IHQ)

287 In IHQ, hospitalization and quarantine are included in the model, but premature hos-
 288 pital discharge and quarantine violation are excluded. Figure 4(a) shows the distribu-
 289 tion of stop times. The maximum, mean, and median stop times strictly increase for
 290 $\kappa \in [0, 0.7]$ but strictly decrease for $\kappa \in [0.7, 1]$. Meanwhile, the minimum stop times
 291 are similar for $\kappa \in [0, 0.8]$ but strictly increase for $\kappa \in [0.8, 1]$. Figure 4(b) shows the
 292 variances of stop times, which strictly increase for $\kappa \in [0, 0.7]$ but strictly decrease for
 293 $\kappa \in [0.7, 1]$. Figure 4(c) shows the probabilities of extinction, which strictly decrease
 294 with increasing κ for $\kappa \in [0, 1]$ but remain near 1 for $\kappa \in [0, 0.5]$ and quickly decrease

295
296
297
298
299
300

for $\kappa \in [0.5, 1]$. Figure 4(d) shows the means of the cumulative numbers of SSE-related and non-SSE-related infections. Their curves are labelled as SSE and Non-SSE in the legend. The SSE curve remains approximately constant for $\kappa \in [0, 0.5)$ but strictly decreases for $\kappa \in [0.5, 1]$. Meanwhile, the Non-SSE curve strictly increases for $\kappa \in [0, 0.7)$, remains approximately constant for $\kappa \in [0.7, 0.8)$, and strictly decreases for $\kappa \in [0.8, 1]$. The curves intersect between $\kappa = 0.4$ and $\kappa = 0.5$.

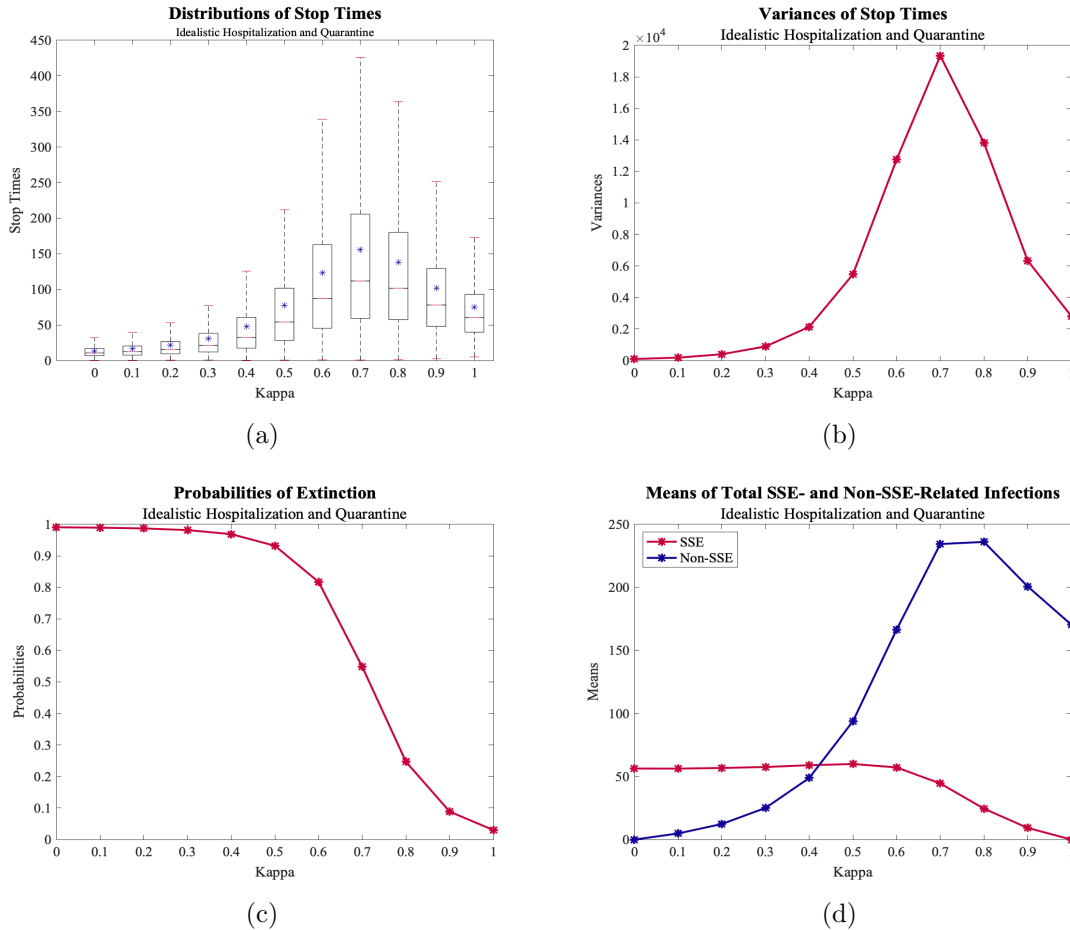


Figure 4: (a) Distributions of Stops Times (b) Variances of Stop Times for IHQ (c) Probabilities of Extinction for IHQ (d) Means of Cumulative Total of SSE- and Non-SSE-Related Infections for IHQ

301
302
303
304
305
306
307
308
309

Varying Quarantine Violation (RHQ_{lqv} and RHQ_{hqv})

In RHQ_{lqv} , RHQ 's quarantine violation level is halved, and in RHQ_{hqv} , RHQ 's quarantine violation level is doubled. Figures 5(a), 5(b), 5(c), and 5(d) contain curves for RHQ_{lqv} , RHQ , and RHQ_{hqv} ; these curves are labelled as Low Quarantine Violation, Medium Quarantine Violation, and High Quarantine Violation in the legends. Figures 5(a) and 5(b) show the means and variances of stop times for each quarantine violation level. For RHQ_{lqv} , both strictly increase for $\kappa \in [0, 0.2)$ but strictly decrease for $\kappa \in [0.2, 1]$; for RHQ and RHQ_{hqv} , both strictly increase for $\kappa \in [0, 1]$. The means and variances of stop times strictly decrease going from RHQ_{lqv} to RHQ to RHQ_{hqv} .

310 for each $\kappa \in [0, 1]$, but their differences are greater for smaller κ . Figure 5(c) shows
 311 the probabilities of extinction. They strictly decrease for $\kappa \in [0, 1]$ but do so more
 312 quickly for smaller κ . The probabilities of extinction also strictly decrease going from
 313 RHQ_{lqv} to RHQ to RHQ_{hqv} for $\kappa \in [0, 1]$, but their differences are greater for smaller
 314 κ . They decrease more quickly for RHQ_{lqv} than RHQ and RHQ_{hqv} . Figure 5(d) shows
 315 the cumulative numbers of SSE-related infections. They strictly decrease for $\kappa \in [0, 1]$
 316 but do so more quickly for smaller κ , the exception being RHQ_{lqv} for $\kappa \in [0, 0.2]$.

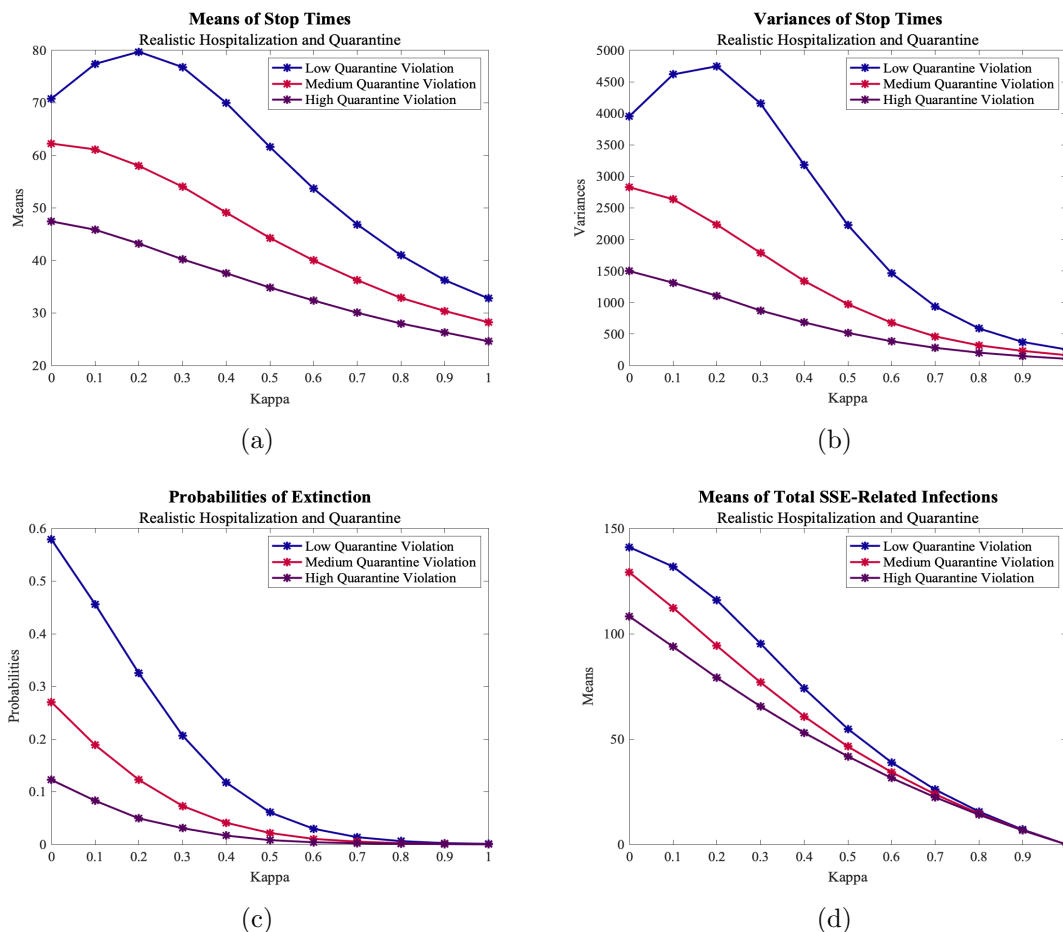


Figure 5: (a) Means of Stops Times for RHQ_{lqv} , RHQ , and RHQ_{hqv} (b) Variances of Stop Times for RHQ_{lqv} , RHQ , and RHQ_{hqv} (c) Probabilities of Extinction for RHQ_{lqv} , RHQ , and RHQ_{hqv} (d) Means of Cumulative Total of SSE-Related Infections for RHQ_{lqv} , RHQ , and RHQ_{hqv}

4 Discussion

317

318 In what follows, recall that as κ increases, SSE rates decrease, and as SSE rates de-
 319 crease, non-SSE rates increase. The relative SSE and non-SSE rates are governed by
 320 the constancy condition in Section 2.3. For both NHQ and RHQ , most outbreaks are
 321 more variable but less severe when SSE rates are higher, as evidenced by the variances
 322 of stop times in Figures 2(b) and 3(b) and the distributions of stop times in Figures
 323 2(a) and 3(a). Here, severity is based on stop times; more severe outbreaks are quicker

324 to attain 50 active infections, while less severe outbreaks are slower. Though most
325 SSE-dominated outbreaks are less severe, the most severe SSE-dominated outbreaks
326 are more severe than the most severe non-SSE-dominated outbreaks, as evidenced by
327 the minimum stop times in Figures 2(a) and 3(a). Outbreaks are also more likely to
328 go extinct when SSE rates are higher, as evidenced by the probabilities of extinction
329 in 2(c) and 3(c). All of the aforementioned observations hold for IHQ when $\kappa \in [0.7, 1]$
330 but not when $\kappa \in [0, 0.7)$. For IHQ when $\kappa \in [0, 0.7)$, most outbreaks are less variable
331 (see Figure 4(b)) but more severe (see Figure 4(a)) when SSE rates are higher. The
332 most severe SSE-dominated outbreaks are still more severe than the most severe non-
333 SSE-dominated outbreaks (see Figure 4(a)), and outbreaks are still more likely to go
334 extinct (see Figure 4(c)) when SSE rates are higher. Going from NHQ ($\kappa \in [0, 1]$) to
335 RHQ ($\kappa \in [0, 1]$) to IHQ ($\kappa \in [0.7, 1]$), outbreaks increase in variability (see Figures
336 2(b), 3(b), and 4(b)), decrease in severity (see Figures 2(a), 3(a), and 4(a)), and are
337 more likely to go extinct (see Figures 2(c), 3(c), and 4(c)).

338 Differences for IHQ when $\kappa \in [0, 0.7)$ are likely related to high probabilities of extinc-
339 tion. For $\kappa \in [0, 0.7)$, outbreaks may be less variable but more severe when SSE rates
340 are higher because surviving outbreaks are restricted to those with many SSE-related
341 infections early on. This is evidenced by the means of cumulative SSE-related infections
342 remaining approximately constant when $\kappa \in [0, 0.5)$ despite decreasing SSE rates, after
343 which they decrease with decreasing SSE rates, as expected (see Figure 4(d)). Mean-
344 while, the means of total non-SSE-related infections increase with increasing non-SSE
345 rates when $\kappa \in [0, 0.7)$, as expected, but decrease when $\kappa \in [0.7, 1]$ despite increasing
346 non-SSE rates (see Figure 4(d)). The weakening pull towards extinction may allow 50
347 current infections to be attained more quickly (see Figure 4(a)), to the extent that the
348 number of cumulative infections is reduced. For NQH and RHQ, the probabilities of
349 extinction are lower than for IHQ (see Figures 2(c), 3(c), and 4(c)), and the means
350 of cumulative SSE-related and non-SSE-related infections for NHQ and RHQ decrease
351 with decreasing SSE rates and increase with increasing non-SSE rates (see Figures
352 2(d) and 3(d)), as expected. Note that for NHQ and RHQ, the means of cumulative
353 SSE-related infections decrease more quickly for smaller κ (see Figures 2(d) and 3(d)),
354 while for IHQ, the means of cumulative SSE-related infections decrease more slowly
355 for smaller κ when $\kappa \in [0.5, 0.7)$ but more quickly for smaller κ when $\kappa \in [0.7, 1]$ (see
356 Figure 4(d)). This, in conjunction with the slight lag between the means of cumulative
357 SSE-related infections decreasing and outbreaks becoming more variable but less severe
358 when SSE rates are higher, suggests that $\kappa \in [0.5, 0.7)$ corresponds to a transitional
359 period. During this period, dynamics change from those only observed for IHQ to
360 those also observed for NHQ and RHQ.

361 Greater variability in SSE-dominated outbreak profiles may limit predictions. In-
362 creased variability increases prediction uncertainty, which may decrease prediction
363 accuracy. Increased prediction uncertainty also shortens the time period over which
364 predictions hold. Such limitations impede public health responses. Meanwhile, taking
365 more time in most cases to attain 50 current infections when SSE rates are higher may
366 allow the virus avoid detection for longer; more sensitive and stable surveillance sys-
367 tems are necessary to detect the virus at low levels. Because even slow SSE-dominated
368 outbreaks may abruptly take off, timeliness is also key. For further information on the

369 stability, sensitivity, and timeliness of surveillance systems, see [12, 15]. Persistence at
370 low levels also facilitates the evolution of more infectious variants [5, 46]. The pub-
371 lic health consequences associated with SSE-dominated outbreaks are, in some cases,
372 mitigated by high probabilities of extinction. For IHQ, SSE-dominated outbreaks al-
373 most always go extinct; for RHQ, SSE-dominated outbreaks are somewhat likely to go
374 extinct. Public health consequences are thus mostly mitigated for IHQ and somewhat
375 mitigated for RHQ. They are not, however, mitigated for NHQ, as outbreaks (SSE- or
376 non-SSE-dominated) seldom go extinct in this scenario.

377 Across-the-board decreases in probabilities of extinction going from IHQ to RHQ to
378 NHQ suggest that increasing hospitalisation and quarantine and decreasing prema-
379 ture hospital discharge and quarantine violation forces more outbreaks to extinc-
380 tion. Greater differences for SSE-dominated outbreaks versus non-SSE-dominated
381 outbreaks imply that hospitalisation and quarantine are more effective at controlling
382 SSE-dominated outbreaks; likewise, premature hospital discharge and quarantine vi-
383 olation are more consequential for such outbreaks. Quicker decreases in probabilities
384 of extinction for IHQ, RHQ, and NHQ when SSE rates are higher further imply that
385 SSE-dominated outbreaks are more sensitive to changes in hospitalisation, quarantine,
386 premature hospital discharge, and quarantine violation. High probabilities of extinction
387 for IHQ when SSE rates are higher, in conjunction with the quicker decreases, imply
388 that reducing premature hospital discharge and quarantine violation substantially in-
389 creases the effectiveness of hospitalisation and quarantine at forcing SSE-dominated
390 outbreaks to extinction. When weighing the benefits and detriments of control mea-
391 sures, the relative rates of SSEs versus non-SSEs should thus be considered; for more
392 on the benefits and detriments of control measures, see [27, Chapter 17]. Note that in
393 all of the aforementioned, the effectiveness of hospitalisation and quarantine and the
394 consequences of premature hospital discharge and quarantine violation were evaluated
395 using probabilities of extinction versus other metrics, such as cumulative infections or
396 deaths; the latter metrics would be misleading because simulations were ended once
397 either the disease went extinct or 50 active infections were attained (see Section 2).

398 For RHQ_{lqv} , outbreaks are more variable but less severe on average when SSE rates are
399 higher (see Figures 5(b) and 5(a)), similar to NHQ and RHQ; for RHQ_{hqv} , outbreaks
400 are less variable but more severe on average for $\kappa \in [0, 0.2)$ and more variable but
401 less severe on average for $\kappa \in [0.2, 1]$ when SSE rates are higher (see Figures 5(b)
402 and 5(a)), similar to IHQ. For RHQ_{lqv} and RHQ_{hqv} , outbreaks are more likely to
403 go extinct when SSE rates are higher (see Figure 5(c)), similar to NHQ, RHQ, and
404 IHQ. The means of total SSE-related infections decrease with decreasing SSE rates for
405 RHQ_{lqv} , RHQ, and RHQ_{hqv} , but they do so more slowly for RHQ_{lqv} than RHQ or
406 RHQ_{hqv} when SSE rates are higher (see Figure 5(d)). We expect the opposite, given
407 that quarantined individuals cannot cause SSEs. Going from RHQ to RHQ_{hqv} , the
408 means of total SSE-related infections decrease more slowly, as expected. Differences
409 for RHQ_{lqv} when $\kappa \in [0, 0.2)$ may thus be related to high probabilities of extinction
410 (see Figure 5(c)), with $\kappa \in [0, 0.2)$ corresponding to a transitional period, similar to
411 IHQ with $\kappa \in [0.5, 0.7)$.

412 Going from RHQ_{lqv} ($\kappa \in [0, 1]$) to RHQ ($\kappa \in [0, 1]$) to RHQ_{hqv} ($\kappa \in [0.2, 1]$), outbreaks

413 decrease in variability, increase in severity, and are less likely to go extinct (see Fig-
414 ures 5(b), 5(a), and 5(c)). These differences are greater for SSE-dominated outbreaks,
415 most notably with respect to variability and extinction. Taking less time on average to
416 attain 50 current infections when quarantine violation is higher shortens the time pe-
417 riod during which outbreaks may feasibly be contained; the further outbreaks progress,
418 the harder it becomes to contain them [33]. While lesser variability in outbreak pro-
419 files when quarantine violation is higher allows for lesser prediction uncertainty, it
420 also allows for a greater number of more severe outbreaks, given that outbreaks are
421 more severe on average when quarantine violation is higher. Larger numbers of infec-
422 tions over shorter time periods may strain resources [14]. Across-the-board decreases in
423 probabilities of extinction going from RHQ_{lqv} to RHQ to RHQ_{hqv} suggest that decreas-
424 ing quarantine violation forces more outbreaks to extinction. Greater differences for
425 SSE-dominated versus non-SSE-dominated outbreaks imply that quarantine violation
426 is more consequential for SSE-dominated outbreaks. Quicker decreases in probabilities
427 of extinction for RHQ_{lqv} , RHQ , and RHQ_{hqv} when SSE rates are higher further imply
428 that SSE-dominated outbreaks are more sensitive to changes in quarantine violation.
429 High probabilities of extinction for RHQ_{lqv} when SSE rates are higher, in conjunc-
430 tion with the quicker decreases, imply that reducing quarantine violation substantially
431 increases the effectiveness of quarantine at forcing SSE-dominated outbreaks to extinc-
432 tion. This reinforces our previous findings regarding premature hospital discharge and
433 quarantine violation. Again note that in all of the aforementioned, the effectiveness of
434 quarantine and consequences of quarantine violation were evaluated using probabilities
435 of extinction versus other metrics, such as cumulative infections or deaths; the latter
436 metrics would be misleading because simulations were ended once either the disease
437 went extinct or 50 active infections were attained (see Section 2).

438 Comparison with SI models in literature

439 Lloyd, et al [32] and James, et al [26] utilize discrete-time Markov Chain (DTMC)
440 models to investigate the relative influences of SIs and SSEs on outbreak dynamics.
441 Their models' underlying biological process is more simplistic than ours; susceptible
442 individuals are infected and infected individuals recover. There are neither exposed,
443 asymptomatic, hospitalized, nor quarantined individuals. DTMC models also evolve
444 through time differently, and their state changes have different meanings (see Section
445 2.5).

446 Lloyd, et al [32] and James, et al [26] found that increasing SIs or SSEs relative to
447 non-SIs or non-SSEs increases the probability that outbreaks go extinct but decreases
448 the variability of surviving outbreaks, which are more severe when dominated by SIs
449 or SSEs. This partially agrees with our findings for NHQ ($\kappa \in [0, 1]$), RHQ ($\kappa \in$
450 $[0, 1]$), and IHQ ($\kappa \in [0.7, 1]$) – increasing SSEs relative to non-SSEs increases both the
451 probability that outbreaks go extinct and the variability of surviving outbreaks, which
452 are less severe when dominated by SSEs – and fully agrees with our findings for IHQ
453 ($\kappa \in [0, 0.7]$). While the probabilities of extinction increase with increasing influence
454 of SIs or SSEs relative to non-SIs or non-SSEs for Lloyd et al's, James et al's, and our
455 model, they approach different values. For the individual-based model, they approach
456 1, but for the event-based models, they do not. This suggests that SSE-dominated

457 outbreaks are more likely to survive than SI-dominated outbreaks.

458 Differences in the variability and severity of surviving outbreaks between Lloyd, et al's
459 [32], James et al's [26], and our model for NQH ($\kappa \in [0, 1]$), RHQ ($\kappa \in [0, 1]$), and
460 IHQ ($\kappa \in [0, 0.7]$) may be related to differences in probabilities of extinction, which are
461 higher for Lloyd, et al's [32], James, et al's [26], and our model for IHQ ($\kappa \in [0.7, 1]$).
462 As discussed above, high probabilities of extinction may limit surviving outbreaks to
463 more severe outbreaks. As the pull towards extinction weakens, a larger variety of
464 outbreaks may survive. Recall that, while most SSE-dominated outbreaks are less
465 severe than non-SSE-dominated outbreaks for NHQ ($\kappa \in [0, 1]$), RHQ ($\kappa \in [0, 1]$),
466 and IHQ ($\kappa \in [0.7, 1]$), the most severe SSE-dominated outbreaks are more severe
467 than the most severe non-SSE-dominated outbreaks; this implies that, if sufficiently
468 many of the less severe SSE-dominated outbreaks were to go extinct, most of the
469 surviving SSE-dominated outbreaks may be more severe than the non-SSE-dominated
470 outbreaks, which would agree with the Lloyd, et al's, James, et al's, and our results for
471 IHQ ($\kappa \in [0, 0.7]$). Overall, differences between the individual-based and event-based
472 models suggest that, if outbreaks are SI- and/or SSE-dominated, SIs and SSEs must
473 be considered separately, as they have distinct influences on outbreak dynamics.

474 5 Conclusion

475 This study had three main goals: investigating (1) the influence of SSEs relative to
476 that of non-SSEs on outbreak dynamics, (2) the effectiveness of hospitalisation and
477 quarantine as control measures for SSE- versus non-SSE-dominated outbreaks, and (3)
478 the influence of quarantine violation on the effectiveness of quarantine for SSE- versus
479 non-SSE-dominated outbreaks.

480 To accomplish these goals, we incorporated SSEs into a continuous-time Markov
481 chain (CTMC) model (Section 2.2), imposed a constancy condition (Section 2.3), sim-
482 ulated the CTMC model under multiple scenarios (Section 2.4), and varied quarantine
483 violation levels (Section 2.4). The scenarios differed in their inclusion/exclusion of
484 hospitalisation, quarantine, premature hospital discharge, and quarantine violation.

485 When hospitalisation and quarantine are excluded or when hospitalisation, quarantine,
486 premature hospital discharge, and quarantine violation are included, SSE-dominated
487 outbreaks are more variable, less severe, and more likely to go extinct than non-
488 SSE-dominated outbreaks. While most SSE-dominated outbreaks are less severe,
489 the most severe SSE-dominated outbreak is more severe than the most severe non-
490 SSE-dominated outbreaks. When hospitalisation and quarantine are included but
491 premature hospital discharge and quarantine violation are excluded, SSE-dominated
492 outbreaks are more likely to go extinct than non-SSE-dominated outbreaks but less
493 variable and more severe. When hospitalisation, quarantine, premature hospital dis-
494 charge, and quarantine violation are included and quarantine violation is halved, SSE-
495 dominated outbreaks behave similarly to when hospitalisation and quarantine are in-
496 cluded but premature hospital discharge and quarantine violation are excluded; when
497 quarantine violation is doubled, outbreaks behave similarly to when hospitalisation
498 and quarantine are excluded.

499 In all scenarios, hospitalisation and quarantine are more effective at controlling SSE-
500 dominated outbreaks than non-SSE-dominated outbreaks. Similarly, premature hos-
501 pital discharge and quarantine violation are more consequential for SSE-dominated
502 outbreaks. When hospitalisation and quarantine are excluded, SSE-dominated out-
503 breaks are highly unlikely to go extinct; when hospitalisation, quarantine, premature
504 hospital discharge, and quarantine violation are included, SSE-dominated outbreaks
505 are moderately unlikely to go extinct; and when hospitalisation and quarantine are in-
506 cluded but premature hospital discharge and quarantine violation are excluded, SSE-
507 dominated outbreaks are highly likely to go extinct. Halving quarantine violation
508 significantly increases the likelihood that SSE-dominated outbreaks go extinct, while
509 doubling quarantine violation somewhat decreases the likelihood that SSE-dominated
510 outbreaks go extinct.

511 Altogether, SSE-dominated outbreaks notably differ from non-SSE-dominated out-
512 breaks in terms of variability, severity, and likelihood of extinction; they also differ
513 from SI-dominated outbreaks, albeit more subtly (see Section 4). SSE-dominated out-
514 breaks' dynamics are strongly influenced by whether individuals may be hospitalised or
515 quarantined, as well as whether they may be prematurely discharged from the hospital
516 or violate quarantine. Both hospitalisation and quarantine are highly effective control
517 measures for SSE-dominated outbreaks, but premature hospital discharge and quaran-
518 tine violation substantially reduce their effectiveness. Note that we evaluated control
519 measures using the likelihood of extinction. All of the aforementioned has important
520 public health implications (see Section 4), which necessitates that SARS-CoV-2 mod-
521 elers 1) determine the extent to which SSEs and/or SIs contribute to spread and 2)
522 distinguish between SSEs, SIs, and non-SSEs/non-SIs in their models. Finally, further
523 exploration of the individual and combined influences of SSEs and SIs on outbreak dy-
524 namics, as well as the effectiveness of control measures for different types of outbreaks,
525 is necessary to better inform containment and eradication efforts.

526 Data Availability

527 All data used in this study came from published, cited sources, and are included in the
528 text.

529 Conflicts of Interest

530 The authors declare that there are no conflicts of interest.

531 Author contributions

532 Jordan Bramble: Formal analysis, visualization, software, writing - original draft prepara-
533 tion, reviewing, and editing; Alexander Fulk: Conceptualization, formal analysis,
534 writing - reviewing and editing; Raul Saenz: Conceptualization, writing - review, and
535 editing; Folashade B. Augusto: Conceptualization, methodology, project administration,
536 supervision, writing- reviewing and editing, funding acquisition.

Acknowledgement

This research is supported by National Science Foundation under the grant number DMS 2028297.

References

- [1] Folashade B Agosto, Igor V Erovenko, Alexander Fulk, Qays Abu-Saymeh, Daniel Romero-Alvarez, Joan Ponce, Suzanne Sindi, Omayra Ortega, Jarron M Saint Onge, and A Townsend Peterson. To isolate or not to isolate: The impact of changing behavior on covid-19 transmission. *BMC Public Health*, 22(1):1–20, 2022.
- [2] Alltucker, Ken and Bajak, Aleszu. 'We're not winning this battle': Relentless COVID-19 surge fills 1 in 8 hospital ICU units. <https://www.usatoday.com/story/news/health/2020/12/12/hospitals-lack-icu-bed-space-nation-waits-covid-vaccine/3893339001/>, 2020. Accessed May 23, 2021.
- [3] Benjamin M Althouse, Edward A Wenger, Joel C Miller, Samuel V Scarpino, Antoine Allard, Laurent Hébert-Dufresne, and Hao Hu. Superspreading events in the transmission dynamics of SARS-CoV-2: Opportunities for interventions and control. *PLoS Biology*, 18(11):e3000897, 2020.
- [4] Anderson, Jessica. Lots of violations of stay-at-home order but few arrests as Baltimore-area police adjust to coronavirus. <https://www.baltimoresun.com/coronavirus/bs-md-coronavirus-charges-20200418-bf3zæbe3efes5aym3datjbt5yq-story.html>, 2020. Accessed May 23, 2021.
- [5] Rustom Antia, Roland R Regoes, Jacob C Koella, and Carl T Bergstrom. The role of evolution in the emergence of infectious diseases. *Nature*, 426(6967):658–661, 2003.
- [6] Simon Ashworth. Effectiveness of public health measures against covid-19: ventilation has a major role. *bmj*, 375, 2021.
- [7] Kingsley Badu, Kolapo Oyebola, Julien ZB Zahouli, Adeniyi Francis Fagbamigbe, Dzedzom K de Souza, Natisha Dukhi, Ebenezer F Amankwaa, Mai F Tolba, Augustina A Sylverken, Lydia Mosi, et al. SARS-CoV-2 viral shedding and transmission dynamics: implications of WHO COVID-19 discharge guidelines. *Frontiers in Medicine*, 8, 2021.
- [8] Bahl, Andrew. Kansas hospital officials warn they're rationing care due to COVID surge and say worst is yet to come. <https://www.cjonline.com/story/news/coronavirus/2022/01/05/covid-cases-hospitalizations-spike-officials-rationing-care-emergency-declaration-go9093159002/>, 2022. Accessed Feb. 4, 2022.
- [9] Bahl, Rajiv. How Surging Delta Variant Is Leading to Rationed Care at Hospitals. <https://www.healthline.com/health-news/how-surging-delta-variant-is-leading-to-rationed-care-at-hospitals>, 2021. Accessed Feb. 4, 2022.

578
579
580
581
582
583
584
585
586
587
588
589
590
591
592
593
594
595
596
597
598
599
600
601
602
603
604
605
606
607
608
609
610
611
612
613
614
615
616
617
618
619
620

[10] Bar-Ilan University. Continuous-Time Markov Chains.
<https://u.math.biu.ac.il/~amirgi/CTMCnotes.pdf>.

[11] Boone, Rebecca. Hospitals in multiple states rationing health care amid crushing COVID-19 surge.
<https://www.fox10phoenix.com/news/hospitals-in-multiple-states-rationing-health-care>
2021. Accessed Feb. 4, 2022.

[12] Centers for Disease Control and Prevention. Updated Guidelines for Evaluating Surveillance Systems.
<https://www.cdc.gov/mmwr/preview/mmwrhtml/rr5013a1.htm>, 2001. Accessed Jun. 6, 2022.

[13] Centers for Disease Control and Prevention. COVID-19 Pandemic Planning Scenarios.
<https://www.cdc.gov/coronavirus/2019-ncov/hcp/planning-scenarios.html>, 2020. Accessed Jun. 13, 2021.

[14] Centers for Disease Control and Prevention. Potential Rapid Increase of Omicron Variant Infections in the United States.
<https://www.cdc.gov/coronavirus/2019-ncov/science/forecasting/mathematical-modeling-outbreak.html>, 2021. Accessed Feb. 5, 2022.

[15] Centers for Disease Control and Prevention. Public Health Surveillance.
<https://www.cdc.gov/csels/dsepd/ss1978/lesson5/appendixa.html>, 2021. Accessed Jan. 17, 2022.

[16] Centers for Disease Control and Prevention. CDC COVID Data Tracker.
<https://covid.cdc.gov/covid-data-tracker/#datatracker-home>, 2022. Accessed Feb. 4, 2022.

[17] Contreras, Oscar. Colorado reactivates crisis standards of care for emergency services for 1st time in nearly 2 years.
<https://www.thedenverchannel.com/news/coronavirus/colorado-reactivates-crisis-standards-of-care-for-emergency-services-for-1st-time-in>
2022. Accessed Feb. 4, 2022.

[18] Farr, Stephanie. N.J. has charged more than 1,700 for violating stay-at-home orders but just a handful of citations have been issued in Pa.
<https://www.inquirer.com/news/coronavirus-stay-at-home-orders-violations-pennsylvania.html>, 2020. Accessed May 23, 2021.

[19] Gabbat, Adam and Laughland, Oliver. Hospitals in half of US states close to capacity as Omicron continues surge .
<https://www.theguardian.com/us-news/2022/jan/14/us-hospitals-capacity-staffing-shortages-omicron-covid>, 2022. Accessed Jun. 5, 2022.

[20] Daniel T Gillespie. A general method for numerically simulating the stochastic time evolution of coupled chemical reactions. *Journal of Computational Physics*, 22(4):403–434, 1976.

[21] Michael H Haischer, Rachel Beilfuss, Meggie Rose Hart, Lauren Opielinski, David Wrucke, Gretchen Zirgaitis, Toni D Urich, and Sandra K Hunter. Who is wearing

621
622
623
624
625
626
627
628
629
630
631
632
633
634
635
636
637
638
639
640
641
642
643
644
645
646
647
648
649
650
651
652
653
654
655
656
657
658
659
660
661
662
663

- a mask? Gender-, age-, and location-related differences during the COVID-19 pandemic. *PloS One*, 15(10):e0240785, 2020.
- [22] Hernandez, David. Citations issued across San Diego County for violations of stay-home order reach 125.
<https://www.sandiegouniontribune.com/news/public-safety/story/2020-04-15/citations-issued-across-san-diego-county-for-violations-of-stay-home-order>
2020. Accessed May 23, 2021.
- [23] Evelien M Hoeben, Wim Bernasco, Lasse Suonperä Liebst, Carlijn Van Baak, and Marie Rosenkrantz Lindegaard. Social distancing compliance: A video observational analysis. *PloS One*, 16(3):e0248221, 2021.
- [24] Hubbard, Kaia. Hospitals Nearing Capacity in Majority of States as Omicron Surges.
<https://www.usnews.com/news/health-news/articles/2022-01-14/hospitals-nearing-capacity-in-majority-of-states-as-omicron-surges#:~:text=Home-,Hospitals%20Nearing%20Capacity%20in%20Majority%20of%20States%20as%20Omicron%20Surges,skyrocket%2C%20according%20to%20new%20data.&text=By%20Kaia%20Hubbard-,Jan.,2022%2C%20at%2012%3A30%20p.m.,2022>. Accessed Jun. 5, 2022.
- [25] Ingram, Paul. Sinema, Kelly urge Ducey to send Nat'l Guard to Az hospitals stressed by COVID.
https://www.tucson sentinel.com/local/report/020122_cv_kelly_sinema_guard/sinema-kelly-urge-ducey-send-natl-guard-az-hospitals-stressed-by-covid,
2022. Accessed Feb. 4, 2022.
- [26] Alex James, Jonathan W Pitchford, and Michael J Plank. An event-based model of superspreading in epidemics. *Proceedings of the Royal Society B: Biological Sciences*, 274(1610):741–747, 2007.
- [27] Dean T Jamison, Hellen Gelband, Susan Horton, Prabhat Jha, Ramanan Laxminarayan, Charles N. Mock, and Rachel Nugent. *Disease Control Priorities: Improving Health and Reducing Poverty*. International Bank for Reconstruction and Development / The World Bank, Washington, D.C., 2018.
- [28] Matt J. Keeling and Pejman Rohani. *Modeling Infectious Diseases in Humans and Animals*. Princeton University Press, Princeton, NJ, 2008.
- [29] Knight, Cameron. Violating stay-at-home order: 66 now face charges in Hamilton County.
<https://www.cincinnati.com/story/news/2020/04/17/violating-stay-home-order-59-now-face-charges-hamilton-county/5151433002/>, 2020. Accessed May 23, 2021.
- [30] Koen Swinkels. SARS-CoV-2 Superspreading Events Database.
<https://kmswinkels.medium.com/covid-19-superspreading-events-database-4c0a7aa2342b>,
2020. Accessed December 1, 2020.
- [31] KSTP. 25 charged with violating Minnesota's 'stay at home' order.
<https://kstp.com/coronavirus/25-charged-with-violating-minnesotas-stay-at-home-order-5700505/>, 2020. Accessed May 23, 2021.

- 664 [32] James O Lloyd-Smith, Sebastian J Schreiber, P Ekkehard Kopp, and Wayne M
665 Getz. Superspreading and the effect of individual variation on disease emergence.
666 *Nature*, 438(7066):355–359, 2005.
- 667 [33] Amy Maxmen. Has COVID taught us anything about pandemic preparedness?
668 *Nature*, pages 332–335, 2021.
- 669 [34] McCarthy, Niall. Many U.S. Hospitals Are Running Critically Short of ICU Beds
670 [Infographic].
671 [https://www.forbes.com/sites/niallmccarthy/2020/12/10/
672 many-us-hospitals-are-running-critically-short-of-icu-beds-infographic/
673 ?sh=72c97eaf65fe](https://www.forbes.com/sites/niallmccarthy/2020/12/10/many-us-hospitals-are-running-critically-short-of-icu-beds-infographic/?sh=72c97eaf65fe), 2020. Accessed May 23, 2021.
- 674 [35] Joel C Miller. A primer on the use of probability generating functions in infectious
675 disease modeling. *Infectious Disease Modelling*, 3:192–248, 2018.
- 676 [36] MultiState Policy Team. COVID-19 Policy Tracker.
677 <https://www.multistate.us/issues/covid-19-policy-tracker>, 2021. Ac-
678 cessed Feb. 4, 2022.
- 679 [37] Josiah Mushanyu, Williams Chukwu, Farai Nyabadza, and Gift Muchatibaya.
680 Modelling the potential role of super spreaders on COVID-19 transmission dy-
681 namics. *medRxiv*, 2021.
- 682 [38] Faïçal Ndaïrou, Iván Area, Juan J Nieto, and Delfim FM Torres. Mathematical
683 modeling of COVID-19 transmission dynamics with a case study of Wuhan. *Chaos,
684 Solitons & Fractals*, 135:109846, 2020.
- 685 [39] Ige Oluwatobiloba. *Markov Chain Epidemic Models and Parameter Estimation*.
686 PhD thesis, Huntington, WV, 2020.
- 687 [40] Our World in Data. COVID-19: Stay-at-Home Restrictions.
688 <https://ourworldindata.org/covid-stay-home-restrictions>, 2020. Ac-
689 cessed May 23, 2021.
- 690 [41] Queen’s University. Continuous-Time Markov Chains - Introduction.
691 <https://mast.queensu.ca/~stat455/lecturenotes/set5.pdf>.
- 692 [42] Nika Shakiba, Christina J Edholm, Blessing O Emerenini, Anarina L Murillo,
693 Angela Peace, Omar Saucedo, Xueying Wang, and Linda JS Allen. Effects of
694 environmental variability on superspreading transmission events in stochastic epi-
695 demic models. *Infectious Disease Modelling*, 6:560–583, 2021.
- 696 [43] Olivier Thomine, Samuel Alizon, Corentin Boennec, Marc Barthelemy, and Mircea
697 Sofonea. Emerging dynamics from high-resolution spatial numerical epidemics.
698 *Elife*, 10:e71417, 2021.
- 699 [44] University of Cambridge. Probability Generating Functions.
700 <https://www.cl.cam.ac.uk/teaching/0708/Probability/prob06.pdf>.
- 701 [45] West Hawaii Today Staff. More people arrested, cited for violating stay-at-home
702 order.
703 [https://www.westhawaiitoday.com/2020/05/21/hawaii-news/
704 more-people-arrested-cited-for-violating-stay-at-home-order/](https://www.westhawaiitoday.com/2020/05/21/hawaii-news/more-people-arrested-cited-for-violating-stay-at-home-order/), 2020.
705 Accessed May 23, 2021.

- 706 [46] Mark EJ Woolhouse, Daniel T Haydon, and Rustom Antia. Emerging pathogens:
707 the epidemiology and evolution of species jumps. *Trends in Ecology & Evolution*,
708 20(5):238–244, 2005.
- 709 [47] World Health Organization. WHO Coronavirus (COVID-19) Dashboard.
710 <https://covid19.who.int/>, 2022. Accessed Feb. 4, 2022.