

# Supporting Information

## A Wide-bandwidth Nanocomposite-Sensor Integrated Smart Mask for Tracking Multi-phase Respiratory Activities for COVID-19 Endemic

Jiao SUO<sup>1, #</sup>, Yifan LIU<sup>1, #</sup>, Cong WU<sup>1, #</sup>, Meng CHEN<sup>1</sup>, Qingyun HUANG<sup>1</sup>, Yiming LIU<sup>2</sup>, Kuanming YAO<sup>2</sup>, Yangbin CHEN<sup>3</sup>, Qiqi PAN<sup>1</sup>, Xiaoyu CHANG<sup>1</sup>, Ho-yin CHAN<sup>1, \*</sup>, Guanglie ZHANG<sup>1</sup>, Zhengbao YANG<sup>1</sup>, Walid DAOUD<sup>1</sup>, Xinyue LI<sup>4</sup>, Roy VELLAISAMY<sup>5</sup>, XingeYU<sup>2, \*</sup>, Jianping WANG<sup>3, \*</sup>, and Wen Jung LI<sup>1, \*</sup>

<sup>1</sup>Dept. of Mechanical Engineering, City Univ. of Hong Kong, Hong Kong, China

<sup>2</sup>Dept. of Biomedical Engineering, City Univ. of Hong Kong, Hong Kong, China

<sup>3</sup>Dept. of Computer Science, City Univ. of Hong Kong, Hong Kong, China

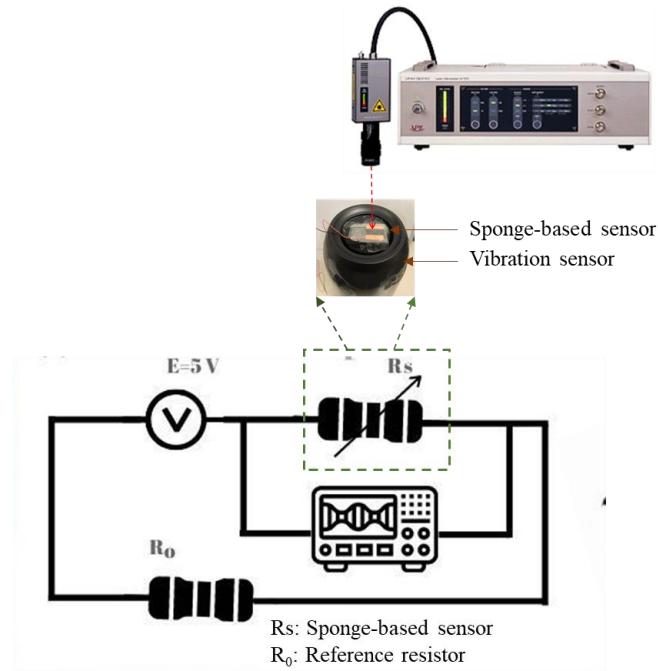
<sup>4</sup>School of Data Science, City Univ. of Hong Kong, Hong Kong, China

<sup>5</sup>James Watt School of Engineering, University of Glasgow, Scotland, UK

#: *Equal contribution authors*

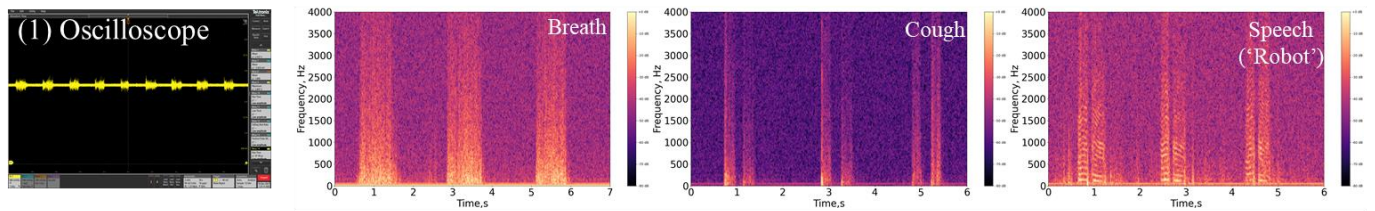
\*: *Co-contact authors*

*Corresponding author: Wen Jung LI (wenjli@cityu.edu.hk)*

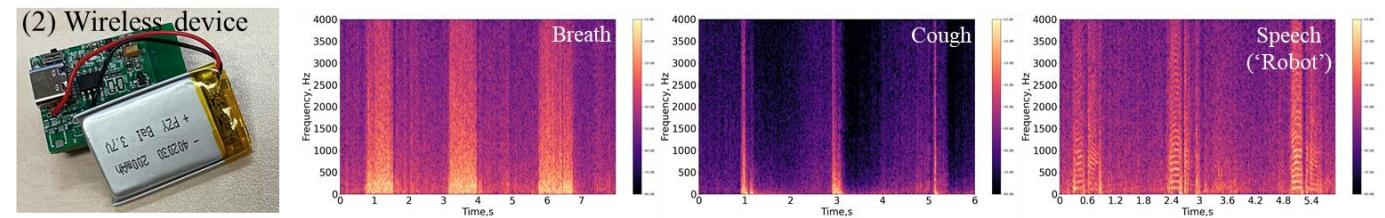


**Figure S1** Set up (including the measured circuit) of the sponge-based sensor detecting vibration of different frequency.

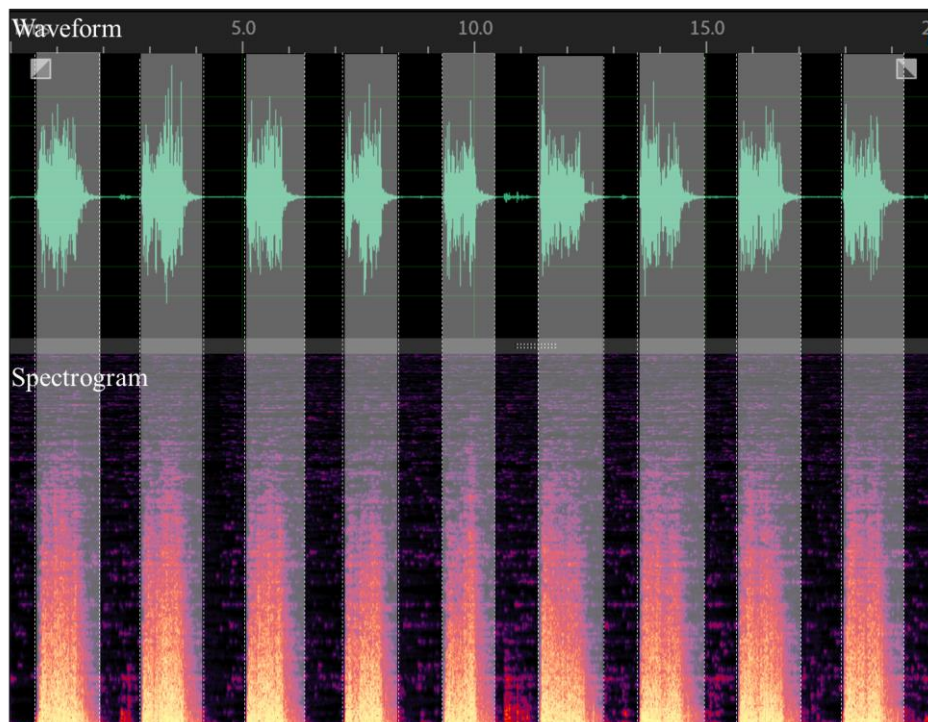
**a.** Breath, cough, and speech signals obtained by oscilloscope



**b.** Breath, cough, and speech signals obtained by the self-developed wireless device



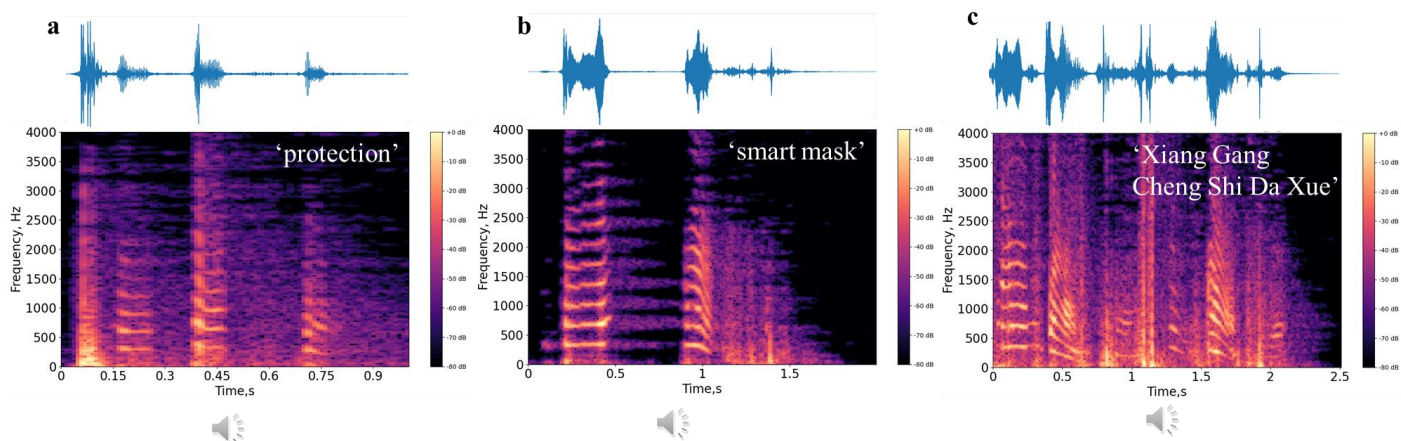
**Figure S2** Breath, cough, and speech ('robot') signals recorded with wearing the 'smart mask' with the data obtaining by: (a) oscilloscope and (b) the self-developed wireless device.



**Figure S3** Manual segmentation based on the visualized waveform and spectrogram



**Figure S4** Contact angle ( $\theta$ ) measurement (liquid/volume: water/ $\sim 5\mu\text{L}$ )



**Figure S5** Waveforms and spectrograms of the different words/phrases of (a) 'protection', (b) 'smart mask' and (c) Chinese 'Xiang Gang Cheng Shi Da Xue' detected by the 'smart mask'