
ASSESSING THE POTENTIAL IMPACT OF TRANSMISSION DURING PROLONGED VIRAL SHEDDING ON THE EFFECT OF LOCKDOWN RELAXATION ON COVID-19

A PREPRINT

Burcu Tepekule

Department of Infectious Diseases
and Hospital Epidemiology
University Hospital Zurich, University of Zurich
Zurich, Switzerland
burcu.tepekule@usz.ch

Anthony Hauser

Institute of Social and Preventive Medicine
University of Bern
Bern, Switzerland
anthony.hauser@ispm.unibe.ch

Viacheslav N. Kachalov

Department of Infectious Diseases
and Hospital Epidemiology
University Hospital Zurich, University of Zurich
Zurich, Switzerland
viacheslav.kachalov@usz.ch

Sara Andresen

Department of Infectious Diseases
and Hospital Epidemiology
University Hospital Zurich, University of Zurich
Zurich, Switzerland
sara.andresen@uzh.ch

Thomas Scheier

Department of Infectious Diseases
and Hospital Hygiene
University Hospital Zurich
Zurich, Switzerland
thomas.scheier@usz.ch

Peter W. Schreiber

Department of Infectious Diseases
and Hospital Epidemiology
University Hospital Zurich, University of Zurich
Zurich, Switzerland
peterwerner.schreiber@usz.ch

Huldrych F. Günthard

Department of Infectious Diseases
and Hospital Epidemiology
University Hospital Zurich
Zurich, Switzerland
huldrych.guenthard@usz.ch

Roger D. Kouyos

Department of Infectious Diseases
and Hospital Epidemiology
University Hospital Zurich, University of Zurich
Zurich, Switzerland
roger.kouyos@usz.ch

June 12, 2020

ABSTRACT

A key parameter in epidemiological modeling which characterizes the spread of an infectious disease is the mean serial interval. There is increasing evidence supporting a prolonged viral shedding window for COVID-19, but the transmissibility in this phase is unclear. Based on this, we build a model including an additional compartment of infectious individuals who stay infectious for a longer duration than the reported serial interval, but with infectivity reduced to varying degrees. We find that such an assumption also yields a plausible model in explaining the data observed so far, but has different implications for the future predictions in case of a gradual easing on the lockdown measures. Considering the role of modeling in important decisions such as easing lockdown measures and adjusting hospital capacity, we believe that it is critically important to consider a chronically infectious population as an alternative modeling approach to better interpret the transmission dynamics of COVID-19.

Keywords COVID-19 modeling · SARS-CoV-2 modeling · prolonged viral shedding · duration of infectiousness · serial interval · relaxation

1 Introduction

Mathematical models have been extensively used to understand the epidemic characteristics of outbreaks, in predicting future outcomes, and in shaping the national responses regarding control measures [1, 2]. Despite the time pressure, a considerable amount of work has been dedicated to modeling the pandemic of novel coronavirus (SARS-CoV-2) infections that began in China in late 2019 [3–6]. Although most of these studies are based on existing epidemic models such as SIR and SEIR-models, several features of the COVID-19 pandemic have been independently explored, leading to different generalizations of similar dynamical models. On one hand, having a variety of models is central to get a notion of the model sensitivity, on the other, it shows that different assumptions are equally favorable to explain the observed data given the right set of parameter choices, whereas they might lead to different projections on how the epidemic would follow in the future [7, 8]. This variability in future projections becomes especially important when a perturbation, such as the imposition or release of the control measures, is introduced to the dynamical system.

A key epidemiologic variable that characterizes the spread of an infectious disease is the mean serial interval [9], i.e., the time between successive cases in a chain of transmission. Li *et al.* [10] estimated the serial interval distribution to have a mean of 7.5 (95%CI 5.5 – 19) days based on 6 observations, whereas Ganyani *et al.* estimated the serial interval distribution to have a mean of 5.20 (95%CI 3.78 – 6.78) days for Singapore and 3.95 (95%CI 3.01 – 4.91) days for Tianjin [11], Bi *et al.* estimated the serial interval distribution to have a mean of 6.3 (95%CI 5.2 – 7.6) days [12], He *et al.* estimated the serial interval distribution to have a mean of 5.8 (95%CI 4.8 – 6.8) days [13], and Hiroshi *et al.* estimated the serial interval distribution to have a mean of 4.7 (95%CI 3.70 – 6.00) days. Considering all these studies, infectiousness is estimated to decline quickly within 4 to 8 days on average.

By contrast, certain cases arouse concern about prolonged shedding of SARS-CoV-2 after recovery [14]. Moreover, several studies show proof of active virus replication in upper respiratory tract tissues and prolonged viral shedding even after seroconversion for COVID-19, implying that the contagious period of COVID-19 might last more than one week after clinical recovery in a fraction of patients [15, 16]. De Chang *et al.* reported patients to be virus positive even after the resolution of symptoms up to 8 days [17]. Similarly, Young *et al.* reported a median duration of 12 days for viral shedding [18], and Zhou *et al.* observed a median duration of 20 days [19]. Tan *et al.* reported a special case where the duration of viral shedding persisted for 49 days from illness onset [20]. Considering that the duration of infectiousness is a critical parameter in dynamical models used for predictive purposes, it is important to consider the epidemiological plausibility of a longer shedding window than the reported serial interval in the literature and investigate its impact on model outcomes.

To do so, we first develop a generalized SEIR model by segregating the infectious compartment into two as “primarily infectious” and “chronically infectious” population. We assume that primarily infectious individuals have a higher infectiousness within the time window conventionally considered as the serial interval, during when they have the potential to develop symptoms and therefore be hospitalized. Afterwards, we assume that the non-hospitalized infecteds transition to the chronically infectious phase before recovery and become less infectious, but may stay infectious for a longer duration. By doing so, we include the possibility of a prolonged viral shedding window in our model. Using the incidence and fatality data from different countries, we first show that our model is also a plausible candidate for explaining the data observed so far for different levels of infectiousness assumed for the chronically infectious population. Based on this conclusion, we explore the model predictions in case of gradual easing on the lockdown measures (relaxation) in Switzerland. Our results show that the model predictions vary in one order of magnitude range for the data considered (daily cases, daily deaths, patients at the hospital ward, and patients at the ICU) for different levels of infectiousness assumed for the chronically infectious population. This variability is especially important when national policies on control measures are being formed, and also for the healthcare systems if projections such as the occupancy of the hospital ward or the ICU are calculated using similar dynamical models.

2 Methods

2.1 Mathematical Model

To describe the dynamics of the COVID-19 pandemic, we generalize the susceptible-exposed-infected-removed (SEIR) compartmental model by including eight different states denoted by $S(t)$, $E(t)$, $I_p(t)$, $I_c(t)$, $H(t)$, $ICU(t)$, $R(t)$, and $X(t)$, representing the number of susceptible individuals, exposed (infected but not yet infectious) individuals, primarily infectious individuals, chronically infectious individuals, hospitalized patients, patients in ICUs, recovered (immune) individuals, and deceased individuals at time t , respectively. To model the prolonged viral shedding in

case of COVID-19, we segregate the infectious compartment into two by introducing two different compartments, namely the primarily infectious (I_p) and the chronically infectious (I_c) individuals. After the incubation period is complete, exposed individuals become primarily infectious where they stay infectious within the reported duration of the serial interval of COVID-19. Conventionally, these individuals are assumed to stop being infectious and therefore stop contributing to the disease spread when the serial interval is complete. Our purpose by including another step before recovery, i.e., the chronically infectious compartment, is to model a scenario such that the primarily infectious individuals transition to a state where they are less infectious but they may stay infectious for a longer duration than the serial interval, i.e. continue spreading the infection with reduced transmissibility.

Transitions between different compartments are illustrated in Fig. 1, which can be translated into a system of ordinary differential equations, where each arrow, i.e., each process, is associated with a rate. This system is given by the Eq. set 1, including the rates of processes as model parameters, and describes the rate of change of compartments over time. Model parameters are given in Table 1 with their corresponding descriptions. An additional compartment $C(t)$ is included in the Eq. set 1 to calculate the cumulative number of the positively diagnosed cases in the community, and does not play a role in the disease dynamics.

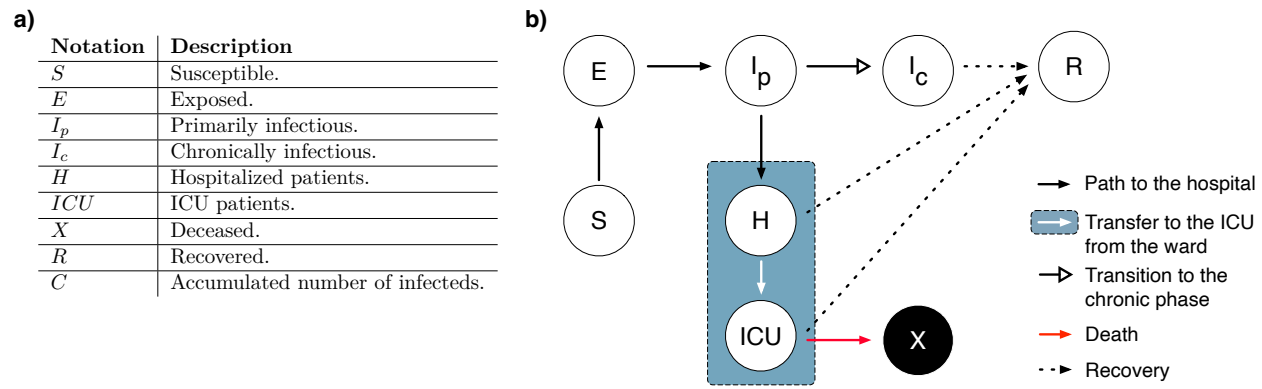


Figure 1: **a)** Notation of the compartments and their corresponding descriptions. **b)** Schematic of the dynamical model given by Eq. set 1.

$$\begin{aligned}
 \frac{dS(t)}{dt} &= -\frac{S}{N}(\beta_c I_c + \beta_p I_p), \\
 \frac{dE(t)}{dt} &= +\frac{S}{N}(\beta_c I_c + \beta_p I_p) - \tau E, \\
 \frac{dI_p(t)}{dt} &= +\tau E - \gamma_p I_p, \\
 \frac{dI_c(t)}{dt} &= +(1 - \epsilon_H)\gamma_p I_p - \gamma_c I_c, \\
 \frac{dH(t)}{dt} &= +\epsilon_H \gamma_p I_p - \gamma_H H, \\
 \frac{dICU(t)}{dt} &= +\gamma_H \epsilon_{H2I} H - \gamma_{ICU} ICU, \\
 \frac{dR(t)}{dt} &= +\gamma_H(1 - \epsilon_{H2I})H + \gamma_{ICU}(1 - \epsilon_x)ICU + \gamma_c I_c, \\
 \frac{dX(t)}{dt} &= +\gamma_{ICU} \epsilon_x ICU, \\
 \frac{dC(t)}{dt} &= +r_d^p \gamma_p I_p + [1 - (r_d^p - \epsilon_H)] r_d^c \gamma_c I_c.
 \end{aligned} \tag{1}$$

Time-dependent decrease in the transmission of SARS-CoV-2 due to lockdown measures is modeled by a sigmoid function [21], and denoted by $r_{lock}(t)$, such that

$$r_{lock}(t) = r_L + (1 - r_L) / \left[1 + \exp \left(m_L \times (t - t_L - s_L) \right) \right], \quad (2)$$

where r_L , t_L , m_L , and s_L denote the final effect of the lockdown, start date of the lockdown, slope of the decrease in transmissibility, and the time delay between implementation and effect of the lockdown, respectively. $r_{lock}(t)$ is used as a multiplicative factor in modeling the transmission rate in a time-dependent manner.

The reduced transmissibility of I_c is modeled via including a reduction coefficient r_c as a multiplicative factor to its transmission rate, resulting in two different transmission rates β_p and β_c for I_p and I_c compartments, such that,

$$\beta_p = r_{lock}(t) \times R_0^p \times \gamma_p, \quad (3)$$

$$\beta_c = r_{lock}(t) \times R_0^c \times \gamma_c, \quad (4)$$

where R_0^p , R_0^c , $1/\gamma_p$, and $1/\gamma_c$ denotes the basic reproduction number of the primarily infectious population, the basic reproduction number of the chronically infectious population, duration of primarily infectious phase, and the duration of chronically infectious phase, respectively. We assume that individuals who develop symptoms do so only during the primarily infectious phase, and therefore hospitalization is only possible before they transition to the chronically infectious phase. We do not assume any a priori information regarding the testing policy, therefore a positive diagnosis is possible for both primarily and chronically infected individuals, and they contribute to the cumulative number of the positively diagnosed cases with the rates r_d^p and r_d^c , respectively.

2.2 Model Fitting and Parameter Estimation

We implemented two stages of model fitting. The first stage aims to compare the predictions of the model given by Eqn. set 1 for different values of r_c , where $0\% \leq r_c \leq 100\%$ with a step size of 2% to cover different scenarios with different levels of chronic infectiousness. We refer to the model with $r_c = 100\%$ as the “null model”, and assume that the primarily infectious individuals do not have a prolonged viral shedding, but they still can be diagnosed during the chronic phase, meaning that their test results can still be positive although they are not infectious. We then fit the model simultaneously to the data on the number of daily confirmed cases and the number of daily deaths for various countries, reported by the World Health Organization (WHO) [22]. The deviations between the model output and the data are assumed to follow a Negative Binomial distribution. Dispersion parameters of the Negative Binomial distributions are estimated separately for both the number of daily confirmed cases and the number of daily deaths during model fitting.

When fitting the model, we fixed the reduction in infectiousness parameter r_c to different values varying between 0% to 100%. Duration of infectiousness of the I_c compartment is fixed to 14 days for all simulations. Other parameters are allowed to vary within their respective ranges, given in Table 1.

During model fitting, we leave out a certain amount of datapoints and use them later to calculate the prediction error, which is defined as the mean Euclidian distance between the model prediction and the datapoints that are not used for fitting. To interpret the prediction error of the models with prolonged viral shedding ($0\% \leq r_c \leq 98\%$) relative to the null model ($r_c = 100\%$), we normalize each prediction error value by the prediction error of the null model for a given dataset size, and call it the relative prediction error (RPE). By definition, the RPE of the null model is 1. Any RPE value below 1 indicates that the corresponding model has a better predictive power relative to the null model.

All datapoints before the introduction of the lockdown measures are included in the fitting procedure to have a better estimate of the effect of the lockdown. Due to the uncertainty of the quantitative effects of the easing on the lockdown measures (relaxation), datapoints after the relaxation are excluded from RPE calculations. By comparing the RPE values of the models with and without the prolonged viral shedding, we aim to demonstrate that both types of model yield to a certain predictive power that makes it difficult to reject the possibility of the existence of a chronically infectious population from a modeling perspective.

Building upon this conclusion, the second stage of the model fitting demonstrates how the impact relaxation would differ given different levels of reduction in infectiousness for the I_c compartment. We use the data provided by [23] for Switzerland, and fit the model simultaneously to four datasets : the number of daily confirmed cases, the number of

¹ \mathcal{N} , β , \exp denotes the Normal, Beta, and Exponential distributions respectively.

²All other compartments (I_p , I_c , H , ICU , R , and X) are assumed to be zero at $t = 0$, and the first case is assumed to be observed at $t = 1$.

Notation	Description	Constained range or definition	Prior distribution ¹
R_0^p	Basic reproduction number of the primarily infectious population	$0 - \infty$	$R_0^p \sim \mathcal{N}(2.5, 0.5)$
r_c	Reduction in infectiousness due to being chronic	$0\% - 100\%$	Fixed to a different value for each simulation.
R_0^c	Basic reproduction number of the chronically infectious population	$R_0^c = R_0^p(1 - r_c)$	Conditioned on R_0^p and r_c .
r_L	Effect of lockdown in reducing infectiousness	$0\% - 100\%$	$r_L \sim \beta(1, 1)$
m_L	Slope of reduction in infectiousness due to lockdown	$0.5 - 1.5$	$m_L \sim 0.5 + \beta(1, 1)$
s_L	Time lag of reduction in infectiousness due to lockdown	$0 - \infty$	$s_L \sim \exp(1/5)$
$r_{lock}(t)$	Time dependent effect of the lockdown on the transmission rate	Given by Eq. 2	Conditioned on r_L , r_c , m_L , and s_L .
$1/\tau$	Incubation period	$0 - \infty$	$\tau \sim \exp(1/2.5)$
$1/\gamma_p$	Duration of infection of I_p	$0 - \infty$	$\gamma_p \sim \exp(1/2.5)$
$1/\gamma_c$	Duration of infection of I_c	14 days	Fixed for all simulations.
β_p	Transmission rate of I_p	Given by Eq. 3	Conditioned on $r_{lock}(t)$, R_0 , and γ_p .
β_c	Transmission rate of I_c	Given by Eq. 4	Conditioned on $r_{lock}(t)$, R_0 , γ_c , and r_c .
$1/\gamma_H$	Duration of hospital ward stay	$0 - \infty$	$\gamma_H \sim \exp(1/12)$
$1/\gamma_{ICU}$	Duration of ICU stay	$0 - \infty$	$\gamma_{ICU} \sim \exp(1/12)$
ϵ_H	Rate of direct H admission	$0 - \infty$	$\epsilon_H \sim \mathcal{N}(0.08, 0.02)$
ϵ_{H2I}	Transfer rate from H to ICU	$0 - \infty$	$\epsilon_{H2I} \sim \mathcal{N}(0.4, 0.08)$
ϵ_x	Death rate from ICU	$0 - \infty$	$\epsilon_x \sim \mathcal{N}(0.4, 0.08)$
r_d^p	Diagnosis rate of I_p	$0 - \infty$	$r_d^p \sim \mathcal{N}(0.2, 0.03)$
r_d^c	Diagnosis rate of I_c	$0 - \infty$	$r_d^c \sim \mathcal{N}(0.075, 0.015)$
R_0	Total basic reproduction number	$R_0 = R_0^p + (1 - \epsilon_H)R_0^c$	Conditioned on R_0^p , R_0^c and ϵ_H .
$E(0)$	Initial frequency of the exposed compartment	$0\% - 100\%$	$r_d^c \sim \beta(1, 10^3)$
$S(0)$	Initial frequency of the susceptible compartment	$1 - E(0)^2$	Conditioned on $E(0)$
N	Population size	—	Fixed specific to the country used for fitting.

Table 1: Model parameters given with their descriptions, constrained ranges, and prior distributions.

daily deaths, the number of patients at the hospital ward at a given day, and the number of patients at the ICU at a given day. Only Swiss data is used to asses the impact of relaxation because it is the only country to our knowledge where data on both the hospitalized and the ICU patients are publicly available in addition to the number of daily confirmed cases and the number of daily deaths. This enabled us to quantify the effects of relaxation on the capacity requirements of healthcare systems. On the other hand, we chose to exclude Swiss data from the first stage of model fitting due to its short lockdown duration relative to other countries included in that analysis.

Using the parameters we obtained via fitting, we predict the outcomes of a gradual relaxation scenario both for the null model and the model including the chronically infectious population with different r_c values. Relaxation is modeled as an increase in transmissibility, and characterized as a sigmoid function. It is similar to the time-dependent effect of the lockdown ($r_{lock}(t)$) given by Eqn. 2, such that

$$r_{relax}(t) = r_L + 1/\left[1/(1 - r_L) + \exp(-m_R \times (t - t_R - s_R))\right], \quad (5)$$

where t_R , m_R , and s_R denote the start date of the relaxation (27th of April for Switzerland, 63 days after the first case is observed), slope of increase in transmissibility (set to 0.1 for a gradual relaxation), and the time delay until

the effect of the relaxation takes place (set to 60 days for a gradual relaxation), respectively. $r_{relax}(t)$ is used as a multiplicative factor in a similar fashion to $r_{lock}(t)$. Note that the parametrization of $r_{relax}(t)$ does not depend on data, and its parameter values are chosen such that it demonstrates a gradual increase in transmissibility over the months following the start of relaxation.

For both stages of fitting, we implemented the model in a Bayesian framework using Stan [24]. Prior distributions of the parameters used during fitting are given in Table 1. All code and data are available from https://github.com/burcutepekule/covid_prolonged_shedding.

3 Results

3.1 Possibility of a chronically infectious population

To have as many data points as possible for relative prediction error (RPE) calculations, we have chosen the countries with the longest durations between the start of the lockdown measures and the relaxation, which are Italy, France, Spain, Greece, province of Hubei, and the U.S.A. During model fitting, we used all the datapoints until the start of the lockdown with an additional 5 days of observation, and gradually increased the number of datapoints (the dataset size) by another 5 days to systematically explore the effects of the dataset size on the prediction error.

We find that both the null model and the models with prolonged viral shedding provide almost identical fits for the observed data independent of the dataset size, however they differ in their predictive abilities. For Italy, the models with a higher level of infectiousness (lower r_c) provide a better prediction relative to the null model ($r_c = 100\%$) for both the number of confirmed cases and deaths when the size of the dataset used for fitting is small (Figs. 2 **a**), **b**), **e**), and **f**)). As the dataset size used for fitting increases, both the null model and the models with prolonged viral shedding provide similar short-term predictions and narrower confidence intervals (Figs. 2 **c**), **d**)). In case of Greece, we observe that all RPE values for both the number of daily deaths and daily cases are close to 1 (SI Fig. 1), meaning that there is not a substantial difference in the predictive capacity of the null model relative to the models including prolonged viral shedding with different levels of infectiousness. For Spain, RPE values decrease as the level of infectiousness decreases (r_c increases) for both the number of daily cases and daily deaths, and the models with prolonged viral shedding provide a better prediction for smaller datasets when the level of infectiousness is below 20% ($r_c > 80\%$). Additionally, using smaller datasets for fitting results in a very poor predictive capacity and very wide confidence intervals for all models including the null model (SI Fig. 2 **a**) and **b**)). Analysis for the U.S.A (SI Fig. 4) and France (SI Fig. 5) provide similar results as Spain. For Hubei, all models perform poorly to predict the number of daily cases (SI Fig. 3 **a**) and **c**)), whereas the models with prolonged viral shedding with higher levels of infectiousness provide better predictions as the dataset size used for fitting increases.

As the dataset size used for fitting increases, both the null model and the models with prolonged viral shedding provide similar short-term predictions (Panels **c**) and **d**) for SI Figs. 1-5 and Fig 2.). This is to be expected since the data points used for fitting can be explained equally well using all models, and the differences in infectiousness level (r_c) manifest itself more as the prediction horizon increases. Consequently, RPE curves with larger dataset sizes result in lower RPE values in general for all countries.

3.2 Impact of relaxation

Data for Switzerland is used to simulate the impact of a gradual easing on the lockdown measures (relaxation) both for the null model and the model with prolonged viral shedding for different levels of reduction in infectiousness (different values of r_c).

We observe that the predictions for both the continuation of the lockdown and the relaxation present similar shapes, but the quantitative difference varies by one order of magnitude range for different r_c values (Fig. 3). In case of the continuation of the lockdown, a longer duration is required for the number of daily deaths and daily cases to go down to the same value as the infectiousness of the chronically infectious population increases (Figs. 3 **c**), **e**), **g**), and **i**)). In case of relaxation, both the number of daily cases and the number of daily deaths start to increase faster as the infectiousness of the chronically infectious population increases, and reach almost a ten fold higher value within two weeks following the start of the relaxation (Figs. 3 **d**) and **f**)). This increase is also reflected in the number of patients observed in the hospital ward and the ICU (Figs. 3 **h**) and **j**)), indicating a faster influx to the health facilities under the assumption of a highly chronically infectious population.

The fact that observed data can be explained equally well by all r_c values varying from 0% to 100% (null model) is partially due to the flexibility of the fitting procedure, which allows other parameters to be adjusted for a given r_c value. Most parameters are free to vary, but their prior distributions are informed such that the hyperparameters (parameters of

the prior distributions) align with the reported values in the literature (Table 1). As an example, both the incubation period ($1/\tau$) and the duration of infectiousness of the primarily infectious population ($1/\gamma_p$) have the mean of 2.5 days, resulting in a serial interval distribution with a mean of 5 days, in agreement with the reported values in the literature for COVID-19 (see Introduction). Similarly, the basic reproduction number of the primarily infectious population R_0^p is normally distributed with a mean of 2.5, which is the average value reported for basic reproduction number of COVID-19 in many countries [10, 25]. Mean values of the prior distributions of the parameters related to hospitalization (γ_H , γ_{ICU} , ϵ_H , ϵ_{H2I} , and ϵ_x) are adopted from Ferguson *et al.* [26] and Verity *et al.* [27], and given a variance such that they can be adjusted specifically for each country during the fitting procedure.

The r_c dependent posterior distributions for R_0^p , R_0 , and r_L provide a good example to demonstrate the flexibility of the fitting procedure (Fig 4). As expected, the final reduction in infectiousness due to lockdown ($1 - r_L$), basic reproduction number of the primarily infectious population (R_0^p), and the total basic reproduction number ($R_0 = R_0^p + (1 - \epsilon_H)R_0^c$) is estimated to be lower as the infectiousness of the chronically infectious population decreases (as r_c increases) to explain the observed data.

Although the models we have explored so far assume different levels of infectiousness during the prolonged viral shedding window including no infectivity at all (null model), they all assume that the infected individuals are tested and positively diagnosed with a certain rate during the chronically infectious phase. This is not a common assumption in other modeling studies regarding COVID-19. For comparison, we also applied both stages of model fitting using a chronic-free model where the I_c compartment is completely omitted. We find that the chronic-free model substantially underpredicts both the number of daily cases and the number of daily deaths when the size of the dataset used for fitting is small (SI Fig. 6). Similar to the models explored so far, its predictive capacity increases as the dataset size used for fitting increases. A chronic-free model can also explain the observed data equally well (SI Figs. 6 and 7), but this is only possible with a considerably lower basic reproduction number combined with a considerably lower lockdown effect compared to the models including the I_c compartment (SI Fig. 8).

4 Discussion

The model presented in this work explores the epidemiological plausibility of a prolonged viral shedding window for the COVID-19 pandemic, and quantifies the impact of a gradual easing on the lockdown measures (relaxation) given different assumptions on the infectiousness of a chronically infectious population.

Our results show that having a chronically infectious population, i.e., individuals that are less infectious but infectious for a longer duration, is not a possibility that can be easily rejected from an epidemiological perspective. This conclusion is based on two main results. First, the data that has been observed so far can be explained equally well by the model with prolonged viral shedding for a variety of different levels of reduced infectiousness as well as the null model, i.e., the model without prolonged viral shedding. Although this is partially due to the flexibility of the fitting procedure, the choice of hyperparameters (parameters of the prior distributions) indicate that all fits for a given reduced infectiousness value are possible for a set of reasonable model parameters, and therefore as favorable as the null model from a modeling perspective.

Second, it is not clear whether the null model or the model with prolonged viral shedding provides more accurate predictions for the prospective data that is not included in the fitting procedure. The uncertainty around the prediction error values for different countries, different types of data (confirmed cases or deaths), and different data sizes used for fitting indicates that it is not always the null model that has the higher predictive power. Consequently, our analysis shows that it is not possible to either accept or reject the existence of a chronically infectious population with reasonable certainty from a modeling perspective.

The fact that observed data can also be explained with a model including prolonged viral shedding raises certain questions about the interpretation of the epidemic curve, acquired immunity, and the current testing policies. Assuming a relatively short serial interval for a model that does not consider a prolonged viral shedding window results in more optimistic projections about epidemic control, as clearly demonstrated in Figs. 2 and 3. Countries that were very successful in their initial control measures and therefore experienced a very steep decline in the number of daily confirmed cases might choose to ease the control measures too soon. We still lack a full understanding of the viral shedding window of COVID-19, and therefore might have a biased opinion on the number of infectious individuals in the community. This once again emphasizes the infectiousness of COVID-19 and the significance of frequent testing although the number of confirmed cases are in decline.

Building up on these conclusions and concerns, we investigate how the population dynamics would follow in case of a gradual easing on the lockdown measures (relaxation) in Switzerland considering different levels of infectiousness during a prolonged viral shedding window. Our results show that although the predictions present a similar shape for

different levels of reduced infectiousness for the chronically infectious population, the quantitative difference varies by one order of magnitude range for all four signals (daily cases, daily deaths, patients at the hospital ward, and patients at the ICU). This variability is especially important for the healthcare systems if projections such as the occupancy of the hospital ward or the ICU are calculated using similar dynamical models.

Using simplified compartmental models such as the one in this study has certain limitations. First, it does not consider the stochastic effects that the system is subject to, which become more important as the number of infecteds decrease in the community. Second, it assumes a well-mixed population, and does not consider the contact structure and the demographic information which are both relevant to the disease spread. Nevertheless, we believe that these two drawbacks of our modeling approach influence the models with and without the prolonged viral shedding to a similar degree, if not penalizing the model with prolonged viral shedding for producing more pessimistic projections since the number of infecteds will be higher in frequency relative to the null model.

It is still debated whether the patients who recover from COVID-19 and test positive for the virus after their recovery are still infectious or not. Nevertheless, it is clear that these positive test results contribute to the data on the number of daily confirmed cases. However, current modeling studies regarding COVID-19 neglect this fact and assume that all positive test results are recorded within the duration of the serial interval only. Our results show that this assumption might lead to an underestimation of both the reproduction number and the effect of the lockdown, leading to a potential underprediction for the prospective data.

In conclusion, It is not possible to either prove or disprove the existence of a certain compartment of individuals purely by modeling. Including a chronically infectious population in our model was motivated by the evidence reported for prolonged viral shedding in the literature [14–20], and attempted to test whether this is also a plausible modeling approach to explain the data observed so far. Given that different assumptions on the infectiousness level during a prolonged viral shedding window can result in similar descriptions of the observed data in retrospect but different outcomes in prospect, it is important to consider a chronically infectious population from a modeling perspective when national policies are being imposed.

5 Acknowledgement

We gratefully acknowledge Dr. Julien Riou for his valuable comments and discussions.

References

- [1] Chelsea S Lutz, Mimi P Huynh, Monica Schroeder, Sophia Anyatonwu, F Scott Dahlgren, Gregory Danyluk, Danielle Fernandez, Sharon K Greene, Nodar Kipshidze, Leann Liu, et al. Applying infectious disease forecasting to public health: a path forward using influenza forecasting examples. *BMC Public Health*, 19(1):1659, 2019.
- [2] Sanjay Basu and Jason Andrews. Complexity in mathematical models of public health policies: a guide for consumers of models. *PLoS medicine*, 10(10), 2013.
- [3] Adam J Kucharski, Timothy W Russell, Charlie Diamond, Yang Liu, John Edmunds, Sebastian Funk, Rosalind M Eggo, Fiona Sun, Mark Jit, James D Munday, et al. Early dynamics of transmission and control of covid-19: a mathematical modelling study. *The lancet infectious diseases*, 2020.
- [4] Shilei Zhao and Hua Chen. Modeling the epidemic dynamics and control of covid-19 outbreak in china. *Quantitative Biology*, pages 1–9, 2020.
- [5] Liangrong Peng, Wuyue Yang, Dongyan Zhang, Changjing Zhuge, and Liu Hong. Epidemic analysis of covid-19 in china by dynamical modeling. *arXiv preprint arXiv:2002.06563*, 2020.
- [6] Lorenzo Mangoni and Marco Pistilli. Epidemic analysis of covid-19 in italy by dynamical modelling. *Available at SSRN 3567770*, 2020.
- [7] Wuyue Yang, Dongyan Zhang, Liangrong Peng, Changjing Zhuge, and Liu Hong. Rational evaluation of various epidemic models based on the covid-19 data of china. *arXiv preprint arXiv:2003.05666*, 2020.
- [8] Laure Wynants, Ben Van Calster, Marc MJ Bonten, Gary S Collins, Thomas PA Debray, Maarten De Vos, Maria C Haller, Georg Heinze, Karel GM Moons, Richard D Riley, et al. Prediction models for diagnosis and prognosis of covid-19 infection: systematic review and critical appraisal. *bmj*, 369, 2020.
- [9] Margaretha Annelie Vink, Martinus Christoffel Jozef Bootsma, and Jacco Wallinga. Serial intervals of respiratory infectious diseases: a systematic review and analysis. *American journal of epidemiology*, 180(9):865–875, 2014.

- [10] Qun Li, Xuhua Guan, Peng Wu, Xiaoye Wang, Lei Zhou, Yeqing Tong, Ruiqi Ren, Kathy SM Leung, Eric HY Lau, Jessica Y Wong, et al. Early transmission dynamics in wuhan, china, of novel coronavirus–infected pneumonia. *New England Journal of Medicine*, 2020.
- [11] Tapiwa Ganyani, Cécile Kremer, Dongxuan Chen, Andrea Torneri, Christel Faes, Jacco Wallinga, and Niel Hens. Estimating the generation interval for coronavirus disease (covid-19) based on symptom onset data, march 2020. *Eurosurveillance*, 25(17):2000257, 2020.
- [12] Qifang Bi, Yongsheng Wu, Shujiang Mei, Chenfei Ye, Xuan Zou, Zhen Zhang, Xiaojian Liu, Lan Wei, Shaun A Truelove, Tong Zhang, et al. Epidemiology and transmission of covid-19 in shenzhen china: Analysis of 391 cases and 1,286 of their close contacts. *MedRxiv*, 2020.
- [13] Xi He, Eric HY Lau, Peng Wu, Xilong Deng, Jian Wang, Xinxin Hao, Yiu Chung Lau, Jessica Y Wong, Yujuan Guan, Xinghua Tan, et al. Temporal dynamics in viral shedding and transmissibility of covid-19. *Nature medicine*, pages 1–4, 2020.
- [14] Camilla Rothe, Mirjam Schunk, Peter Sothmann, Gisela Bretzel, Guenter Froeschl, Claudia Wallrauch, Thorbjörn Zimmer, Verena Thiel, Christian Janke, Wolfgang Guggemos, et al. Transmission of 2019-ncov infection from an asymptomatic contact in germany. *New England Journal of Medicine*, 382(10):970–971, 2020.
- [15] Wang-Da Liu, Sui-Yuan Chang, Jann-Tay Wang, Ming-Jui Tsai, Chien-Ching Hung, Chia-Lin Hsu, and Shan-Chwen Chang. Prolonged virus shedding even after seroconversion in a patient with covid-19. *Journal of Infection*, 2020.
- [16] Roman Wölfel, Victor M Corman, Wolfgang Guggemos, Michael Seilmaier, Sabine Zange, Marcel A Müller, Daniela Niemeyer, Terry C Jones, Patrick Vollmar, Camilla Rothe, et al. Virological assessment of hospitalized patients with covid-2019. *Nature*, pages 1–5, 2020.
- [17] De Chang, Guoxin Mo, Xin Yuan, Yi Tao, Xiaohua Peng, Fusheng Wang, Lixin Xie, Lokesh Sharma, Charles S Dela Cruz, and Enqiang Qin. Time kinetics of viral clearance and resolution of symptoms in novel coronavirus infection. *American journal of respiratory and critical care medicine*, (ja), 2020.
- [18] Barnaby Edward Young, Sean Wei Xiang Ong, Shirin Kalimuddin, Jenny G Low, Seow Yen Tan, Jiashen Loh, Oon-Tek Ng, Kalisvar Marimuthu, Li Wei Ang, Tze Minn Mak, et al. Epidemiologic features and clinical course of patients infected with sars-cov-2 in singapore. *Jama*, 323(15):1488–1494, 2020.
- [19] Fei Zhou, Ting Yu, Ronghui Du, Guohui Fan, Ying Liu, Zhibo Liu, Jie Xiang, Yeming Wang, Bin Song, Xiaoying Gu, et al. Clinical course and risk factors for mortality of adult inpatients with covid-19 in wuhan, china: a retrospective cohort study. *The lancet*, 2020.
- [20] Li Tan, Xia Kang, Bo Zhang, Shangen Zheng, Bo Liu, Tiantian Yu, Fan Yang, Qiongshu Wang, and Hongming Miao. A special case of covid-19 with long duration of viral shedding for 49 days. *medRxiv*, 2020.
- [21] Julien Riou, Anthony Hauser, Michel J Counotte, and Christian L Althaus. Adjusted age-specific case fatality ratio during the covid-19 epidemic in hubei, china, january and february 2020. *MedRxiv*, 2020.
- [22] World Health Organization (WHO). Who coronavirus disease (covid-19) dashboard.
- [23] Daniel Probst. Covid-19 information for switzerland.
- [24] Bob Carpenter, Andrew Gelman, Matthew D Hoffman, Daniel Lee, Ben Goodrich, Michael Betancourt, Marcus Brubaker, Jiqiang Guo, Peter Li, and Allen Riddell. Stan: A probabilistic programming language. *Journal of statistical software*, 76(1), 2017.
- [25] London School of Hygiene Centre for the Mathematical Modelling of Infectious Diseases and Tropical Medicine. Time-varying estimate of the effective reproduction number.
- [26] Neil Ferguson, Daniel Laydon, Gemma Nedjati Gilani, Natsuko Imai, Kylie Ainslie, Marc Baguelin, Sangeeta Bhatia, Adhiratha Boonyasiri, ZULMA Cucunuba Perez, Gina Cuomo-Dannenburg, et al. Report 9: Impact of non-pharmaceutical interventions (npis) to reduce covid19 mortality and healthcare demand. 2020.
- [27] Robert Verity, Lucy C Okell, Iliaria Dorigatti, Peter Winskill, Charles Whittaker, Natsuko Imai, Gina Cuomo-Dannenburg, Hayley Thompson, Patrick Walker, Han Fu, et al. Estimates of the severity of covid-19 disease. *MedRxiv*, 2020.

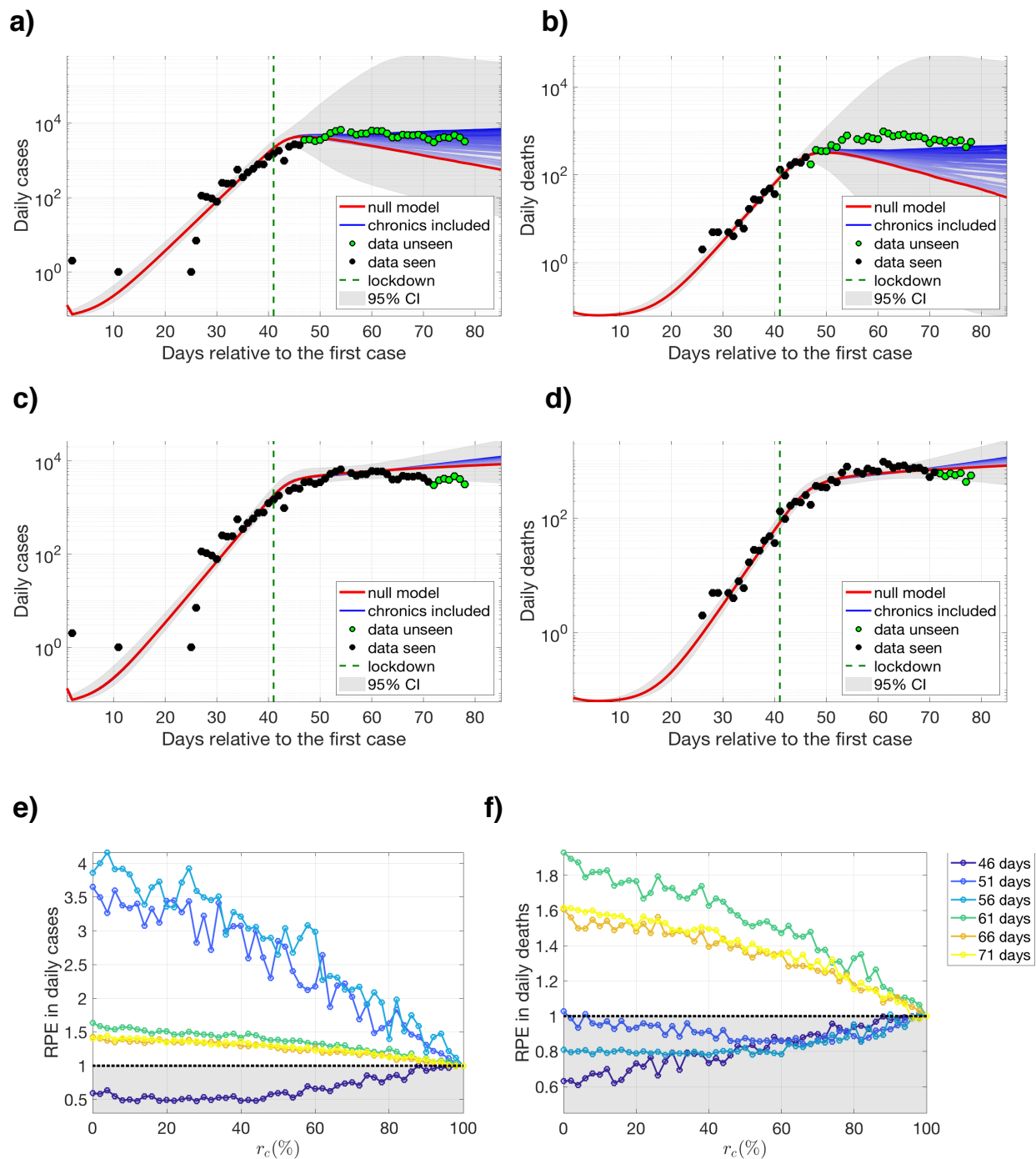


Figure 2: Fitting, prediction, and relative prediction error (RPE) results for Italy, calculated using different levels of infectiousness for the chronically infectious population and different sizes of datasets. Model outcomes for the number of daily confirmed cases (a, c) and daily deaths (b, d) using an additional 5 and 30 days of observed data for model fitting, respectively. Predictions drawn in darker shades of blue represent the fitting results with increased infectiousness of the chronically infectious population, i.e., lower r_c values, and the predictions for the null model ($r_c = 100\%$) are drawn in red. Data points that are used for fitting are drawn in black whereas the datapoints that are excluded from fitting but used for prediction error calculations are drawn in green. Gray areas around the model outcomes represent the union of the confidence intervals calculated for different levels of infectiousness. Relative prediction error (RPE) e) for the number of daily cases and f) the number of daily deaths for a given r_c value and a given dataset size used for fitting, where $r_c = 100\%$ represents the results for the null model, and values below 1 are shaded in gray for a better visualization.

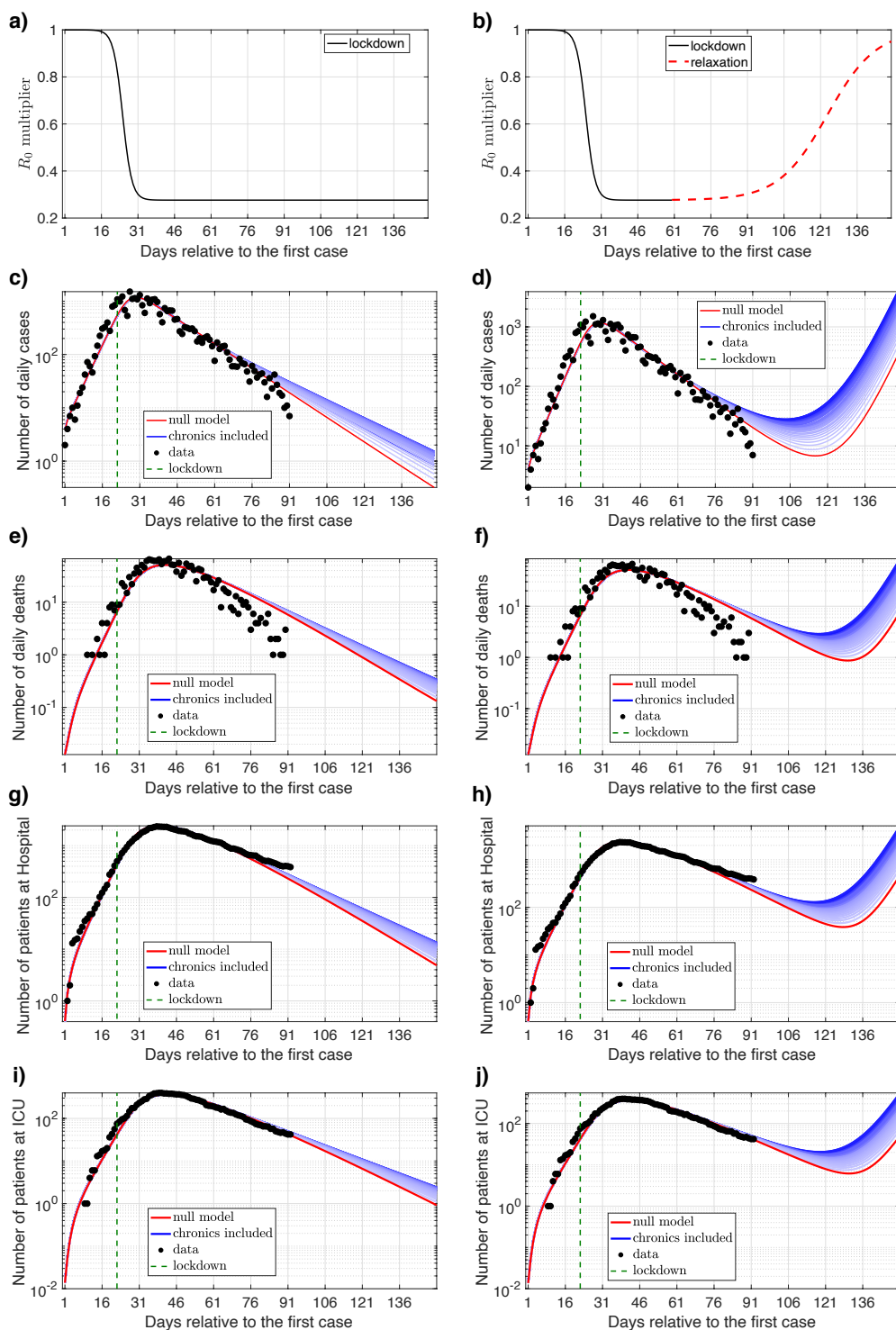


Figure 3: Fitting results and predictions for Switzerland, calculated using different levels of infectiousness for the chronically infectious population, (a), c), e), g), and i)) assuming the lockdown measures continue, and (b), d), f), h), and j)) assuming a gradual easing on the lockdown measures (relaxation). Time dependent effects of the lockdown and the relaxation are illustrated in a) and b), respectively. Predictions drawn in darker shades of blue represent the fitting results with increased infectiousness of the chronically infectious population, i.e., lower r_c values, and the predictions for the null model ($r_c = 100\%$) are drawn in red.

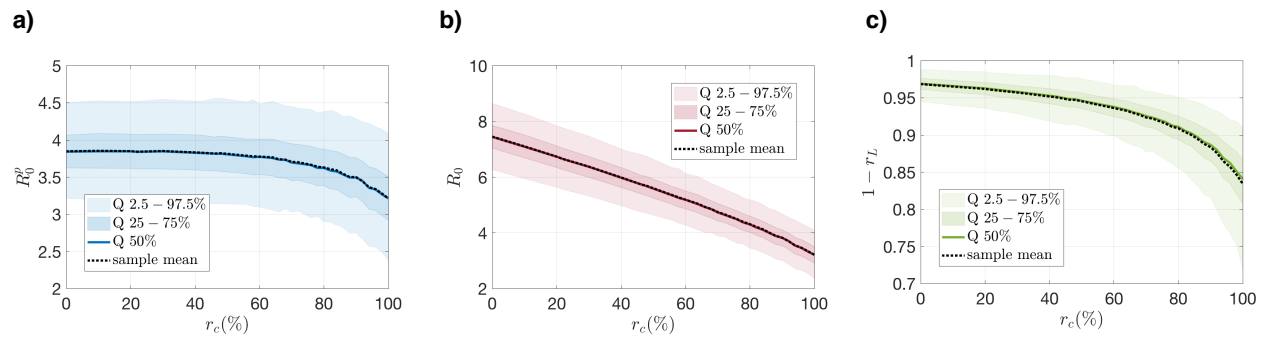


Figure 4: Posterior distributions of the **a)** basic reproduction number of the primarily infectious population (R_0^p), **b)** total basic reproduction number ($R_0 = R_0^p + (1 - \epsilon_H)R_0^c$), and **c)** the final reduction in infectiousness due to lockdown ($1 - r_L$), for a given r_c value.