

1 **To what extent does self-reported physical activity impact children’s wellbeing and mental health?**  
2 **Insights from School-Aged Children in Wales.**

3 James, M.<sup>1</sup>, Adebayo, M. <sup>1</sup>, Silveira Bianchim, M. <sup>1</sup>, Hughes, L. <sup>1</sup>, Mannello, M. <sup>2</sup>, Marchant, E. <sup>3</sup>, &  
4 Brophy, S<sup>4</sup>.

5 1. Population Data Science, Data Science Building, Swansea University, SA2 8PP.

6 2. Play Wales, Park Houses, Cardiff, CF10 3AF.

7 3. School of Education, Swansea University, SA2 8PP.

8

9 Corresponding Author:

10 Dr Michaela James

11 [m.l.james@swansea.ac.uk](mailto:m.l.james@swansea.ac.uk)

12

13

14

15

16

17

18

## 19 Abstract

20 There has been emphasis on the wellbeing of school-aged children amongst research, policy and practice  
21 in recent years, particularly during key developmental stages such as early childhood and adolescence.  
22 This study aimed to identify specific factors of self-reported physical activity that are associated with  
23 wellbeing and mental health among school-aged children in Wales. Using data from the Health and  
24 Attainment of Pupils in Primary Education in Wales (HAPPEN-Wales) cohort, this study analysed survey  
25 responses from 16,731 children aged 7-11 collected between 2016 and 2022. The HAPPEN survey  
26 includes self-reported measures of physical activity, physical literacy, sedentary behaviour, wellbeing,  
27 mental health, and local community environment. Wellbeing and mental health were assessed using the  
28 Good Childhood Index and the Me and My Feelings Questionnaire. Physical literacy was captured  
29 through questions on motivation, confidence, competence, and understanding of physical activity  
30 benefits. Additional data on environmental factors and socioeconomic status were also considered.

31 Multiple regression and decision tree analyses were used to examine factors associated with overall  
32 wellbeing. Key factors associated with good wellbeing included being more physically active (Coef.:0.17  
33 [95%CI: 0.05 to 0.29]), being less sedentary (Coef.: -0.16 [95%CI: -0.28 to -0.05]), feeling confident to  
34 take part in lots of physical activity (Coef.: 0.35 [95%CI: 0.16 to 0.55]), feeling good at lots of physical  
35 activity (Coef.: 0.30 [95%CI:0.14 to 0.46]), having less knowledge around understanding (Coef.: -0.29  
36 [95%CI: -0.57 to -0.07]), feeling safe (Coef.: 0.77 [95%CI: 0.66 to 0.89]), autonomous (Coef.: 0.57  
37 [95%CI: 0.40 to 0.73]) and competent (Coef.: 0.51 [95%CI: 0.35 to 0.67]).

38 The findings highlight the importance of providing opportunities for children to develop their confidence,  
39 competency and to feel like they have a choice in their lives. This can be done by providing safe,  
40 engaging, and varied physical activity opportunities in schools and communities to support children's  
41 overall wellbeing.

42

## 43 **Introduction**

44 Wellbeing is defined as “the state of feeling healthy and happy” (1). It is a multifaceted concept, typically  
45 encompassing positive psychological experiences (2), including mental health, happiness and life  
46 satisfaction (3), as well as physical and environmental factors (2) such as activity and opportunities. In  
47 recent years, there has been a focus in the United Kingdom (UK) policy landscape on the wellbeing of  
48 school-aged children (4). Early life, adolescence and early adulthood have all been marked as key time  
49 points in which wellbeing can be influenced (4,5). Evidence suggests that play and physical activity could  
50 be a key promoter of wellbeing and good mental health in young people. This was highlighted during the  
51 pandemic where school closures and transmission measures reduced access for children to be able to play  
52 and socialise (6,7).

53 Understanding the relationship between wellbeing, mental health and physical activity, particularly at an  
54 early age, could help inform the design of policy and practice aiming to develop and protect opportunities  
55 for movement, play, activity, and education for young people. Physical literacy [PL] is thought to lay the  
56 foundations of engagement with sport and other physical activities (8). It is defined as “*the motivation,*  
57 *confidence, physical competence, knowledge and understanding to value and take responsibility for*  
58 *engagement in physical activities for life*” (9). PL has a role in developing core skills that not only relate  
59 to being physically active but also core characteristics of good wellbeing such as confidence (10). Higher  
60 levels of PL likely lead to a lifelong engagement with activity (11–14) and thus, better wellbeing  
61 outcomes due to the positive associations of physical and mental health with increased physical activity.

62 School are a key setting in which wellbeing and mental health can be impacted. In 2022, Wales began the  
63 rollout of a reformed national curriculum, moving away from “narrow” subject areas and a prescriptive  
64 curriculum to broader, more holistic Areas of Learning Experience and school-level curriculum design  
65 (15). For example, schools can make strong connections between the Health and Wellbeing AoLE and the  
66 Literacy, Languages and Communication AoLE to address concerns regarding physical activity and diet

67 (16). Within the CfW it is recommended to provide 120 minutes of PE a week, though this is not statutory  
68 (17). This is the same guidance given across the four nations however, research in 2018 found that 69% of  
69 schools met this (18). A recent report from Play Wales also noted a decline in self-directed, outdoor play  
70 (19). The Active Healthy Kids [AHK] Report Card states that less than half of schools (45%) in Wales  
71 offer an afternoon break (20). These observations paint a concerning picture for children and young  
72 people's opportunities to be active within the school day, this is essential to consider given its proposed  
73 relationship with wellbeing, mental health, learning and attainment.

74 Given the well-reported links between physical activity, wellbeing and mental health, this study set out to  
75 answer the question: *to what extent does self-reported physical activity impact wellbeing and mental*  
76 *health in children aged 7-11?* Our hypothesis assumes that physical activity and all attributed  
77 opportunities (i.e., active travel, riding a bike, feeling safe, perceptions of physical literacy) will have a  
78 significant impact on general wellbeing given existing research. This study uses data from Health and  
79 Attainment of Pupils in Primary Education-Wales [HAPPEN-Wales] (21), a pan-Wales primary school  
80 cohort established by Swansea University in 2015 to explore the physical, social, emotional and mental  
81 health of children aged 7-11.

82

### 83 **Materials and Methods**

84 HAPPEN-Wales (21) was established in 2014 by researchers at Swansea University and informed by  
85 research with head teachers from local primary schools (22,23). It was co-produced to provide a more  
86 collaborative and cohesive approach to health and wellbeing in schools, bringing together schools,  
87 partners in health and research to make more targeted health and wellbeing plans based on individual  
88 school needs as voiced by their pupils (22,24). HAPPEN has worked closely with school staff and pupils  
89 to develop the HAPPEN Survey; a self-report survey which is completed by primary school-aged children  
90 [aged 8–11, with expansion later to 7 years old] in education settings. The HAPPEN Survey captures a

91 range of self-reported health behaviours including physical activity and sedentary behaviour, physical  
92 literacy, diet and dental health, wellbeing and mental health and the local community indicators. Schools  
93 receive an individual report of pupils' group-level health and wellbeing data compared to national  
94 averages enabling tailored curriculum design for their Curriculum for Wales (CfW) and the health and  
95 wellbeing Area of Learning Experience (AoLE).

96 Since September 2014, over 600 schools have been invited to share details of the survey [including study  
97 aims and a parent information sheet] with parents/guardians so that parents can opt their child out of the  
98 survey (21). This opt-out method of recruiting participants was introduced in 2019 following the national  
99 roll-out in 2018, prior to this stage the network has been conducting more local and regional work in and  
100 around Swansea. This is informed via parent information sheets which are sent out prior to survey  
101 completion. All pupils in years 4, 5 and 6 can take part in the survey which is available in English and  
102 Welsh since September 2014 and is ongoing. The survey was co-developed alongside teachers, pupils,  
103 public health, and local authority teams. HAPPEN now includes a cohort of over 40,000 pupils across  
104 Wales. This aimed to ensure that a representative sample was recruited to reflect all children in Wales.  
105 The survey can be seen as supplementary file 1.

#### 106 *Ethics Statement*

107 This study was conducted with the approval of Swansea University's Medical School Ethics Board  
108 (#7933). HAPPEN has had approval from the board since the project's inception in 2014 and ethical  
109 approval was in place for the data collection period studied in this paper (2017-0033). Prior to 2019,  
110 parents and children provided written consent via consent forms. In 2019, this was amended to opt-out  
111 consent to overcome bias in the cohort. Parents can opt their child out of completing the survey by filling  
112 in the opt-out form which is received by the HAPPEN research team, the school is then notified and a  
113 record of this written opt-out is kept for records. Written consent from children is obtained at the start of  
114 the survey. This is informed via children's information sheets (which have been informed by teachers,

115 parents and children) which are sent out prior to survey completion and are at the beginning of the survey.  
116 Prior to starting the survey, children must consent to having their data used for research purposes. If a  
117 child does not consent but chooses to complete the survey, their record is removed. This process has been  
118 approved by Swansea University's Medical School Ethics Board.

### 119 *Data Collection*

120 The study uses data from 12<sup>th</sup> September 2017 to 23<sup>rd</sup> June 2023. This time frame encapsulates the  
121 national roll-out and six full academic years to provide a representative sample over a period.

122 This study aimed to ascertain the extent to which self-reported physical activity impacts wellbeing and  
123 mental health. The general wellbeing of children was measured by the validated Good Childhood Index  
124 [GCI] (25). The Children's Society note that it is a statistically robust measure of the main aspects of  
125 children's lives. Questions ask children to score their happiness with their a) friends, b) family, c) school,  
126 d) health, and e) life out of 10 (low happiness=1). For each component of the GCI, scores  $\geq 8$  were  
127 assigned a 1 and  $\leq 7$  a 0. To answer our question, we equated a total wellbeing score from this and a  
128 cumulative number was assigned based off the 5 GCI scores [highest score=5].

129 Mental health was measured by the Me and My Feelings Questionnaire [MMF] (26). The validated MMF  
130 measure captures emotional and behavioural mental health difficulties. In this study, both domains were  
131 utilised to assess mental health. Responses to the 16-item MMF are scored as 0, 1, or 2, corresponding to  
132 'Never', 'Sometimes', and 'Always' respectively. These scores are then aggregated to derive an overall  
133 score. For the Emotional Difficulties Subscale, scores of 10 and 11 indicate borderline difficulties, and  
134 scores of 12 and above indicate clinically significant difficulties; for the Behavioural Difficulties  
135 Subscale, scores of 6 indicate borderline difficulties, and scores of 7 and above indicate clinically  
136 significant difficulties. These thresholds have been defined by Deighton et al. (2013) (26) and are valid  
137 and reliable in identifying clinically significant difficulties. Further to this, a binary outcome was

138 established where a score of 1 represents clinical scores and 0 represents scores below the aforementioned  
139 thresholds.

140 Physical activity and environmental survey items were included in the analysis. This included the ability  
141 to ride a bike without stabilisers [yes or no], the ability to swim 25 metres without armbands [yes or no],  
142 use an active travel method to and from school [yes or no], physical activity (getting out of breath) for 60  
143 minutes every day in the previous week [yes or no], two hours of sedentary time every day in the previous  
144 week [yes or no], safety of local area [high or low], ability to make your own decisions [yes or no] and  
145 feeling confident you are doing well [yes or no]. Deprivation scores of the child's home were obtained  
146 from the Welsh Index of Multiple Deprivation (WIMD) (27). WIMD is based on numerous indicators  
147 such as income, access to services, safety, housing, and education. Quintiles were used in analysis with 1  
148 equating to the most deprived area and 5 to the least deprived. Self-reported physical literacy data was  
149 collected in HAPPEN via 4 questions with a Likert response [strongly agree, agree, disagree, strongly  
150 disagree]; *a) I want to take part in physical activity, b) I feel confident to take part in lots of different*  
151 *physical activities, c) I am good at lots of different physical activities, and d) I understand why taking*  
152 *part in physical activity is good for me.* For this study, a cumulative score for physical literacy was  
153 obtained by assigning a binary outcome of 1 to responses of agree and strongly agree and a 0 to responses  
154 of disagree and strongly disagree. The cumulative number of 1 response was combined to generate a PL  
155 score [highest score=4].

## 156 *Analysis*

157 Prior to beginning analysis, all data was anonymised, cleaned and coded by MJ. Data was accessed from  
158 04/09/2023 for analysis. A linear regression model was used to explore the relationship between physical  
159 activity and components of physical activity (including environmental) on general wellbeing in the first  
160 instance. A decision tree was used to visually represent this relationship. The research team then used  
161 logistical models to explore the relationship between physical activity and mental health. Once both

162 models were produced, variables were removed in a stepwise manner, removing potential explanatory  
 163 variables in order and testing for significance after each step. As well as this, a decision tree analysis was  
 164 also conducted. This dual approach aimed to provide a comprehensive understanding of how physical  
 165 activity impacts wellbeing.

166 Analysis was undertaken by three researchers between September 2023 and June 2024. AM devised the  
 167 analysis plan and initially completed this in R. Researchers MSB and MJ replicated the analysis in SPSS.  
 168 This was to ensure the reproducibility, reliability, and validity of the findings. A breakdown of variables  
 169 used in the analysis can be seen as supplementary file 2.

170 **Results**

171 This study included a total of 16,731 participants, divided almost equally between boys (46.5%) and girls  
 172 (49.2%), with a small percentage (4.2%) not specifying their gender. Participant characteristics are  
 173 provided in Table 1. A significant proportion of the study population was from the most deprived  
 174 quintiles, with 33.2% of boys and 34.1% of girls in the most deprived category, and a smaller  
 175 representation from the least deprived quintiles. Most participants reported high overall wellbeing (the  
 176 cumulative score of the GCI), with 49.6% of boys and 50.4% of girls in the high category. They also  
 177 mostly reported good mental health with low numbers emotional and behavioural difficulties reported.  
 178 Although girls reported higher emotional and boys reported higher behavioural.

179 *Table 1. Characteristics of participants (n=16,731)*

|  |  | Gender |   |      |   |                   |   |
|--|--|--------|---|------|---|-------------------|---|
|  |  | Boy    |   | Girl |   | Prefer Not To Say |   |
|  |  | #      | % | #    | % | #                 | % |
|  |  |        |   |      |   |                   |   |



|                                       |           |      |       |      |       |     |       |
|---------------------------------------|-----------|------|-------|------|-------|-----|-------|
| Gender                                | Boy       | 7791 | .     | .    | .     | .   | .     |
|                                       | Girl      | .    | .     | 8234 | .     | .   | .     |
|                                       | PNTS      | .    | .     | .    | .     | 706 | .     |
| Deprivation<br><br>(WIMD<br>Quintile) | 1 (Most)  | 2587 | 33.2% | 2804 | 34.1% | 277 | 39.2% |
|                                       | 2         | 2842 | 36.5% | 3039 | 36.9% | 296 | 41.9% |
|                                       | 3         | 1583 | 20.3% | 1628 | 19.8% | 116 | 16.4% |
|                                       | 4         | 295  | 3.8%  | 278  | 3.4%  | 9   | 1.3%  |
|                                       | 5 (Least) | 484  | 6.2%  | 485  | 5.9%  | 8   | 1.1%  |
| Year Group                            | 4         | 2189 | 28.2% | 2266 | 27.6% | 215 | 30.9% |
|                                       | 5         | 2672 | 34.4% | 2858 | 34.8% | 233 | 33.5% |
|                                       | 6         | 2911 | 37.5% | 3081 | 37.6% | 248 | 35.6% |
| Overall<br>Wellbeing<br>Score         | 0 (Low)   | 109  | 1.4%  | 177  | 2.1%  | 48  | 6.8%  |
|                                       | 1         | 289  | 3.7%  | 371  | 4.5%  | 63  | 8.9%  |
|                                       | 2         | 594  | 7.6%  | 667  | 8.1%  | 100 | 14.2% |
|                                       | 3         | 1055 | 13.5% | 1037 | 12.6% | 138 | 19.5% |
|                                       | 4         | 1879 | 24.1% | 1831 | 22.2% | 159 | 22.5% |

|   |     |       |       |       |       |      |       |
|---|-----|-------|-------|-------|-------|------|-------|
|   | 5   | 3865  | 49.6% | 4151  | 50.4% | 198  | 28.0% |
| Emotional Difficulties (Mental Health)                | No  | 3308  | 85.7% | 3573  | 81.5% | 306  | 77.9% |
|   | Yes | 550   | 14.3% | 811   | 18.5% | 87   | 22.1% |
| Behavioural Difficulties (Mental Health)              | No  | 3205  | 87.6% | 3109  | 91.7% | 263  | 87.1% |
|   | Yes | 453   | 12.4% | 280   | 8.3%  | 39   | 12.9% |
| Been Active For Over 1 Hour Every Day Over A Week     | No  | 13639 | 76.4% | 15329 | 82.5% | 1014 | 78.1% |
|   | Yes | 4211  | 23.6% | 3250  | 17.5% | 284  | 21.9% |
| Been Sedentary For Over 2 Hours Every Day Over A Week | No  | 10038 | 56.7% | 11521 | 62.5% | 669  | 52.4% |
|   | Yes | 7675  | 43.3% | 6927  | 37.5% | 607  | 47.6% |
| Want To Take Part In Lots of                          | No  | 1375  | 8.8%  | 1357  | 8.4%  | 190  | 14.9% |
|   | Yes | 14167 | 91.2% | 14844 | 91.6% | 1086 | 85.1% |

|   |     |       |       |       |       |      |       |
|---|-----|-------|-------|-------|-------|------|-------|
| Physical Activities (PL)  |     |       |       |       |       |      |       |
| Feel Confident To Take Part In Lots of Physical Activities (PL)       | No  | 1985  | 12.9% | 2254  | 14%   | 331  | 26.1% |
|   | Yes | 13399 | 87.1% | 13832 | 86%   | 936  | 73.9% |
| I Am Good At Lots of Physical Activities (PL)                         | No  | 2438  | 15.9% | 2826  | 17.6% | 328  | 26%   |
|   | Yes | 12906 | 84.1% | 13213 | 82.4% | 933  | 74%   |
| I Understand Why Taking Part In Physical Activity Is Good For Me (PL) | No  | 1046  | 6.8%  | 778   | 4.9%  | 127  | 10.1% |
|   | Yes | 14275 | 93.2% | 15263 | 95.1% | 1132 | 89.9% |
| Ability To Swim 25m   | No  | 2159  | 27.9% | 2161  | 26.4% | 219  | 31.2% |
|   | Yes | 5582  | 72.1% | 6036  | 73.6% | 484  | 68.8% |
| Ability To  | No  | 1011  | 13.1% | 1057  | 12.9% | 107  | 15.5% |

|                    |     |      |       |      |       |     |       |
|--------------------|-----|------|-------|------|-------|-----|-------|
| Ride A Bike        | Yes | 6702 | 86.9% | 7122 | 87.1% | 585 | 84.5% |
| Active             | No  | 4575 | 59.4% | 5127 | 62.7% | 439 | 62.5% |
| Travel To School   | Yes | 3131 | 40.6% | 3053 | 37.3% | 263 | 37.5% |
| Active             | No  | 4334 | 56.7% | 4783 | 59.1% | 424 | 61.6% |
| Travel From School | Yes | 3305 | 43.3% | 3312 | 40.9% | 264 | 38.4% |
| Safe In Area       | No  | 2103 | 27.4% | 2343 | 28.9% | 313 | 45.3% |
|                    | Yes | 5578 | 72.6% | 5766 | 71.1% | 378 | 54.7% |
| Feel Autonomous    | No  | 1097 | 14.2% | 1089 | 13.3% | 175 | 24.9% |
|                    | Yes | 6638 | 85.8% | 7098 | 86.7% | 526 | 75.1% |
| Feel Competent     | No  | 919  | 11.9% | 1266 | 15.5% | 177 | 25.3% |
|                    | Yes | 6800 | 88.1% | 6899 | 84.5% | 522 | 74.7% |

180

181 *Relationship Between Physical Activity and Overall Wellbeing*

182 The regression model (table 2) indicated there are a number of predictors of good general wellbeing.

183 Specifically, this included being more physically active (Coef.: 0.17 [95%CI: 0.05 to 0.29]), being less

184 sedentary (Coef.: -0.16 [95%CI: -0.28 to -0.05]), feeling confident to take part in lots of physical activity

185 (Coef.: 0.35 [95%CI: 0.16 to 0.55]), feeling good at lots of physical activity (Coef.: 0.30 [95%CI: 0.14 to

186 0.46], having less knowledge around why physical activity is good for you (Coef.: -0.29 [95%CI: -0.57 to

187 -0.07]), feeling safe in your area (Coef.: 0.77 [95%CI: 0.66 to 0.89]), autonomous (Coef.: 0.57

188 [95%CI:0.40 to 0.73]) and competent (Coef.: 0.51 [95%CI: 0.35 to 0.67]).

189 *Table 2. Activity based predictors of general wellbeing*

|   | Coef.       | Std. Err.   | Sig.            | 95% Conf. Interval |              |
|---|-------------|-------------|-----------------|--------------------|--------------|
| <b>Been Active For Over 1 Hour Every Day Over A Week*</b>               | <b>.17</b>  | <b>.060</b> | <b>.003</b>     | <b>.05</b>         | <b>.29</b>   |
| <b>Been Sedentary For Over 2 Hours Every Day Over A Week*</b>           | <b>-.16</b> | <b>.057</b> | <b>.003</b>     | <b>-.28</b>        | <b>-.05</b>  |
| Want To Take Part In Lots of Physical Activities (PL)                   | .15         | .12         | 0.21            | -.08               | .39          |
| <b>Feel Confident To Take Part In Lots of Physical Activities (PL)*</b> | <b>.35</b>  | <b>.09</b>  | <b>&lt;.001</b> | <b>.16</b>         | <b>.55</b>   |
| <b>I Am Good At Lots of Physical Activities (PL)*</b>                   | <b>.30</b>  | <b>.09</b>  | <b>&lt;.001</b> | <b>.14</b>         | <b>.46</b>   |
| <b>I Understand Why Taking Part In</b>                                  | <b>-.29</b> | <b>.14</b>  | <b>0.04</b>     | <b>-.57</b>        | <b>-.007</b> |

|   |            |            |                 |            |            |
|---|------------|------------|-----------------|------------|------------|
| <b>Physical Activity Is Good For Me (PL)*</b> |            |            |                 |            |            |
| Ability To Ride A Bike                        | -.01       | .08        | .86             | -.18       | .15        |
| Ability To Swim 25m                           | -.13       | .08        | .86             | -.18       | .15        |
| Active Travel To School                       | -.07       | .07        | .029            | -.21       | .06        |
| Active Travel From School                     | -.07       | .07        | 0.29            | -.21       | .06        |
| <b>Safe In Area*</b>                          | <b>.77</b> | <b>.05</b> | <b>&lt;.001</b> | <b>.66</b> | <b>.89</b> |
| <b>Feel Autonomous*</b>                       | <b>.57</b> | <b>.05</b> | <b>&lt;.001</b> | <b>.66</b> | <b>.89</b> |
| <b>Feel Competent*</b>                        | <b>.51</b> | <b>.08</b> | <b>&lt;.001</b> | <b>.35</b> | <b>.67</b> |
| Gender  |            |            |                 |            |            |
| Girl  | .02        | .05        | .63             | -.07       | .12        |
| Prefer Not To Say                             | -.50       | .46        | .27             | -1.41      | .40        |
| Deprivation                                   | .02        | .01        | .09             | -.004      | .060       |

\*denotes significance

190

191 Interestingly, gender and deprivation had no significant role to play in predicting general wellbeing for  
192 this age group. When removed in a stepwise manner, the most significant predictors were being less  
193 sedentary, feeling confident, feeling good, swimming (not being able to swim 25m), feeling safe, feeling  
194 autonomous and feeling competent. Thus, suggesting that positive intrinsic feelings around being active  
195 are more important than specific indicators of physical activity participation.

196

### 197 *Relationship Between Self-Reported Physical Activity and Mental Health*

198 Table 3 shows key predictors of lower emotional wellbeing (indicated by presenting clinical levels of  
199 emotional difficulties based on the cut-offs provided by the Me and My Feeling Questionnaire) included  
200 being more sedentary (Coef: 0.35 [95%CI: 0.09 to 0.61]), feeling less confident (Coef.: -0.60 [95%CI: -  
201 0.99 to -0.20]), feeling less safe in your area (Coef.: -0.99 [95%CI: -1.25 to -0.73]), feeling less competent  
202 (Coef.: -0.58 [95%CI: -0.92 to -0.25]) and being a girl (Coef.: 0.49 [95%CI: 0.24 to 0.74]).

203 *Table 3. Self-Reported Physical Activity-based predictors of emotional difficulties*

|                        | Coef. | Std. Err. | Sig. | 95% Conf. Interval |
|------------------------|-------|-----------|------|--------------------|
| Emotional Difficulties |       |           |      |                    |

|   |             |            |             |             |             |
|---|-------------|------------|-------------|-------------|-------------|
| Been Active For Over 1 Hour Every Day Over A Week                       | -.02        | .15        | .90         | -.32        | .28         |
| <b>Been Sedentary For Over 2 Hours Every Day Over A Week*</b>           | <b>.35</b>  | <b>.13</b> | <b>.009</b> | <b>.09</b>  | <b>.61</b>  |
| Want To Take Part In Lots of Physical Activities (PL)                   | .09         | .26        | .72         | -.42        | .60         |
| <b>Feel Confident To Take Part In Lots of Physical Activities (PL)*</b> | <b>-.60</b> | <b>.20</b> | <b>.003</b> | <b>-.99</b> | <b>-.20</b> |
| I Am Good At Lots of Physical Activities (PL)                           | -.35        | .17        | .04         | -.69        | -.01        |
| I Understand Why Taking Part In Physical Activity Is Good For Me (PL)   | -.37        | .30        | .21         | -.97        | .21         |
| Ability To Ride A Bike  | -.25        | .19        | .18         | -.63        | .12         |



|                              |             |            |                 |              |             |
|------------------------------|-------------|------------|-----------------|--------------|-------------|
| Ability To Swim 25m          | .04         | .16        | .78             | -.27         | .36         |
| Active Travel To School      | .01         | .17        | .92             | -.33         | .36         |
| Active Travel From School    | -.10        | .17        | .54             | -.45         | .23         |
| <b>Safe In Area*</b>         | <b>-.99</b> | <b>.13</b> | <b>&lt;.001</b> | <b>-1.25</b> | <b>-.73</b> |
| Feel Autonomous              | -.30        | .17        | .08             | -.65         | .04         |
| <b>Feel Competent*</b>       | <b>-.58</b> | <b>.17</b> | <b>&lt;.001</b> | <b>-.92</b>  | <b>-.25</b> |
| Gender                       |             |            |                 |              |             |
| <b>Girl*</b>                 | <b>.49</b>  | <b>.12</b> | <b>&lt;.001</b> | <b>.24</b>   | <b>.74</b>  |
| Prefer Not To Say            | .37         | 1.15       | .74             | -1.88        | 2.63        |
| Deprivation                  | -.02        | .04        | .56             | -.10         | .05         |
| <b>*denotes significance</b> |             |            |                 |              |             |

205 The stepwise removal of variables showed that confidence, safety, competence and gender are significant  
 206 predictors of emotional difficulties and therefore, poorer mental health in this age group. These findings  
 207 show that intrinsic motivators are of more value than specific indicators of physical activity participation  
 208 and levels.

209 A similar picture is observed with behavioural difficulties (table 4) with being more sedentary (Coef.:  
 210 0.31 [95%CI: 0.15 to 0.47]), feeling less safe (Coef.: -0.44 [95%CI: -0.60 to -0.27]), feeling less  
 211 autonomous (-0.26 [95%CI: -0.47 to -0.05]), feeling less competent (Coef.: -0.31 [95%CI: -0.53 to -0.09])  
 212 also showing trends toward poorer mental health outcomes. Interestingly, for this measure of being more  
 213 confident (Coef.: 0.31 [95%CI: 0.15 to 0.47]) was associated with less behavioural problems and being a  
 214 boy (Coef.: -0.45 [95%CI: -0.62 to -0.28]) was associated with more behavioural problems. This was the  
 215 first model in which deprivation was significant, lower deprivation was associated with a lower trend of  
 216 having a behavioural difficulty (Coef.: -0.12 (95%CI: -0.19 to -0.05)).

217 *Table 4. Activity based predictors of behavioural difficulties*

|   | Coef.      | Std. Err.  | Sig.            | 95% Conf. Interval |            |
|---|------------|------------|-----------------|--------------------|------------|
| Behavioural Difficulties  |            |            |                 |                    |            |
| Been Active For Over<br>1 Hour Every Day<br>Over A Week*              | .07        | .10        | .45             | -.12               | .27        |
| <b>Been Sedentary For<br/>Over 2 Hours Every<br/>Day Over A Week*</b> | <b>.31</b> | <b>.08</b> | <b>&lt;.001</b> | <b>.15</b>         | <b>.47</b> |

|   |             |            |                 |             |             |
|---|-------------|------------|-----------------|-------------|-------------|
| Want To Take Part In Lots of Physical Activities (PL)                   | -.08        | .15        | .59             | -.38        | .22         |
| <b>Feel Confident To Take Part In Lots of Physical Activities (PL)*</b> | <b>.03</b>  | <b>.13</b> | <b>.77</b>      | <b>-.22</b> | <b>.29</b>  |
| I Am Good At Lots of Physical Activities (PL)                           | -.002       | .11        | .98             | -.23        | .22         |
| I Understand Why Taking Part In Physical Activity Is Good For Me (PL)   | -.15        | .16        | .37             | -.48        | .17         |
| Ability To Ride A Bike  | .06         | .12        | .59             | -.17        | .30         |
| Ability To Swim 25m   | .04         | .09        | .63             | -.14        | .23         |
| Active Travel To School   | .13         | .12        | .11             | -.04        | .43         |
| Active Travel From School   | -.24        | .12        | .04             | -.47        | -.27        |
| <b>Safe In Area*</b>  | <b>-.44</b> | <b>.08</b> | <b>&lt;.001</b> | <b>-.60</b> | <b>-.27</b> |

|                              |             |            |                 |             |             |
|------------------------------|-------------|------------|-----------------|-------------|-------------|
| <b>Feel Autonomous*</b>      | <b>-.26</b> | <b>.10</b> | <b>.01</b>      | <b>-.47</b> | <b>-.05</b> |
| <b>Feel Competent*</b>       | <b>-.31</b> | <b>.11</b> | <b>.005</b>     | <b>-.53</b> | <b>-.09</b> |
| Gender                       |             |            |                 |             |             |
| <b>Girl*</b>                 | <b>-.45</b> | <b>.08</b> | <b>&lt;.001</b> | <b>-.62</b> | <b>-.28</b> |
| Prefer Not To Say            | -.25        | .19        | .19             | -.64        | .12         |
| <b>Deprivation*</b>          | <b>-.12</b> | <b>.03</b> | <b>&lt;.001</b> | <b>-.19</b> | <b>-.05</b> |
| <b>*denotes significance</b> |             |            |                 |             |             |

218

219 Stepwise removal showed that higher sedentary time, less autonomy and gender (being a boy) were key  
 220 predictors for high behavioural difficulties. This is the first wellbeing/mental health indicator in which  
 221 physical activity participation is not associated with the outcome (e.g. PA does not improve or worsen  
 222 behavioural difficulties).

223 *Decision tree analysis*

224 The decision tree analysis in Figure 1 investigates the clustering of factors predicting overall wellbeing  
 225 among school children. The most important predictor of wellbeing is a sense of competence. Then among  
 226 those who feel competent, autonomy is the next most important variable followed by participation in  
 227 physical activities, particularly for those who also feel autonomous.. However, low emotional wellbeing

228 is an important negative factor that impacts overall wellbeing, especially for those who do not feel  
229 competent or autonomous. For those lacking competence or autonomy then confidence in physical  
230 activities can improve wellbeing.

231 *Figure 1. Decision tree analysis*

232

## 233 **Discussion**

234 This study explores the key physical activity predictors of wellbeing and mental health in school-aged  
235 children in Wales using HAPPEN-Wales. Findings aim to provide evidence that would help schools,  
236 communities and policy makers understand how physical activity provision should be designed and  
237 tailored with this in mind. The links between physical activity and wellbeing and mental health are well-  
238 established. It is well-documented that regular physical activity enhances mood, reduces anxiety and  
239 depression and improves wellbeing (3). However, it remains unclear which attributed characteristics (i.e.,  
240 active travel, riding a bike, feeling safe, perceptions of physical literacy) have a significant impact on  
241 general wellbeing.

242 Overall, analysis revealed that key predictors of good wellbeing and mental health are low sedentary time,  
243 high confidence, high autonomy, high safety and male gender. This is a key finding as it could help  
244 inform tailored interventions for young people to help reduce inequalities in wellbeing. Interestingly, this  
245 study highlights that intrinsic feelings around activity participation which are integral and that  
246 opportunities which protect and enhance confidence, autonomy and safety for girls and boys from a  
247 variety of backgrounds could be the solution to improve physical activity and, in turn, creating healthier  
248 and happier children and young people.

249

250 *Overall Wellbeing*

251 The most significant indicators of good wellbeing were being less sedentary, feeling confident, feeling  
252 good, not doing swimming lessons (not being able to swim 25m), feeling safe, feeling autonomous and  
253 feeling competent. While self-reported physical activity time was positively associated with wellbeing,  
254 there were also a variety of intrinsic factors at play, showing that increasing the time to be active alone is  
255 not necessarily the solution needed. While regular physical activity in childhood is more likely to lead to  
256 move physically active adolescents and adults (28), it is important that children and young people are  
257 provided with a variety of opportunities to be active in every setting (school, home, after school), this  
258 study shows that these opportunities should improve a child's confidence. It is noteworthy that not being  
259 able to swim was associated with high wellbeing, advocating for less adult-led forms of activity  
260 provision. For example, research shows that walking can be an important activity (29,30), therefore  
261 employing ways in which this could be promoted would be significant. Evidence also reports positive  
262 impacts on children's PA levels, social engagement and emotional wellbeing from unstructured play, this  
263 is play which is self-directed with children doing what they wish, in their own way, in their own time  
264 (31).

265 Play supports children in developing their mental, physical, social and emotional wellbeing (32). The  
266 Foundation Phase and its play-based methods are praised by stakeholders in Wales (33) for providing safe  
267 and engaging places to play. However, play opportunities have been declining, research suggests that  
268 reductions in play is due to the focus on core subjects (e.g., literacy and numeracy), a lack of adult  
269 confidence in play expertise and in turn, the perspective of teachers that play does not have a formal  
270 status within their practice (33). Children and young people have consistently asked for more active  
271 opportunities. In schools, children have asked for more time, space and permission to be active and play  
272 (30,34) advocating for more opportunities to have less formal learning and more time to engage in play in  
273 a variety of ways with their friends. This trend has been observed throughout the years but has been  
274 highlighted by the pandemic where opportunities to play were limited. In comparison to interventions

275 such as the Daily Mile (35), outdoor play can also ensure that more opportunities for PA are introduced  
276 into the school day and beyond.

277 The intrinsic benefits of child-led play and physical activity opportunities cannot be overlooked. It is  
278 these characteristics of confidence, competence and autonomy which have shown to be integral to good  
279 wellbeing. An underlying motivation for being active is the belief in being able to participate. This study  
280 demonstrated that wanting to take part in the activity, feeling confident to take part, feeling good at lots of  
281 activities, having autonomy and feeling competent to take part were key influences. Confidence and  
282 competence are also key components of PL (9) which can have a significant impact on wellbeing by  
283 providing the foundations for increased participation in physical activity. Research from Melby et al.  
284 (2022) (36) highlights that helping children develop PL is more beneficial for wellbeing than just trying  
285 to improve levels of PA in isolation, shifting the focus away from the intensity of activities to the quality  
286 and enjoyment of encouraging children to move. This approach would help children want to take part,  
287 feel confident to take part, feel competent to take part, feel good and have autonomy over their activity if  
288 the focus was on fun rather than time and effort.

289 This is important to note, particularly in Wales, where greater autonomy has been placed on schools  
290 within the CfW to influence health and wellbeing through school-level curriculum design (11), therefore  
291 providing opportunities to implement this ethos into the day-to-day of school-aged children. Guidance  
292 within the new curriculum regarding PA is broad and as a result, there are concerns regarding children  
293 and young people's opportunities to play and be active. Several PL-based programs are being  
294 implemented. In Wales, the Dragon Challenge (37) has been used to measure PL for assessment purposes,  
295 as well as for national surveillance. Programmes such as this can help to monitor the impacts of statutory  
296 focus on health and wellbeing and intervention effects.

297 Autonomy allows individuals to feel that they can make their own choices. Choice has often been cited as  
298 an opportunity to improve physical activity for this age group, with prescriptive forms often seen as

299 barriers due to their constraints on rules, times and resources. It is crucial to continue promoting a wider  
300 range of activities available for all children to support their wellbeing. It is important to note the key  
301 influences and ways in which we can continue to promote a wider choice of activity provision for this  
302 group. Thus, pupils and educational professionals should be involved in the design of such interventions  
303 based upon the wants and needs of children, factoring in structured and unstructured PA (play) and the  
304 creation of safe spaces.

305 Feeling safe in an area was the strongest positive predictor of overall wellbeing. This underpins the  
306 critical role that safe opportunities play in enhancing wellbeing. Safety has been highlighted by several  
307 studies as influential in supporting physical activity and wellbeing in general (3,29,30). Community  
308 characteristics such as crime rates, traffic and littering can all increase safety concerns. Parental influence  
309 and socio-economic status are also influential in safety perceptions, with more deprived children at risk of  
310 lower community safety (objectively or subjectively) and ultimately, reduced health and wellbeing  
311 (3,38,39). While it is harder to externally control safety, it is worth noting that children who fall into this  
312 category are more likely to have lower wellbeing as demonstrated by this study's findings.

### 313 *Physical activity and mental health*

314 Confidence, safety, competence and gender are significant predictors of emotional difficulties and higher  
315 sedentary time, less autonomy and gender (being a boy) were key predictors for high behavioural  
316 difficulties. The increased accessibility and use of screens has been shown to negatively impact wellbeing  
317 by contributing to higher levels of sedentary behaviour (40,41), therefore any provision that mitigates this  
318 is important. In schools, interventions such as the Daily Mile have been implemented as a social physical  
319 activity initiative that encourages children and young people to walk or run outdoors with their friends for  
320 15 minutes each day (42). However, whilst evidence suggests the benefits to children's PA levels,  
321 challenges include interventions like The Daily Mile replacing existing PA opportunities such as PE  
322 lessons or afternoon break times (43). They also show evidence of improving PA but no evidence of the



323 impact on wellbeing or longer-term follow-up impacts (43). Shifting the focus away from the intensity of  
324 activities to the quality and enjoyment of encouraging children to move (36) could be a significant  
325 progression step in helping children be healthier and happier as demonstrated by the key predictors  
326 observed in this study.

327 Gender showed negative associations with mental health, indicating that girls (and individuals from more  
328 deprived areas) experience higher emotional difficulties and boys experiencing higher behavioural  
329 difficulties. These disparities may be due to a variety of factors, including different access, gender-  
330 specific expectations, resources and opportunities for PA. With girls significantly more likely to drop out  
331 of activity in their early teens, it is important that we uphold positive associations with PA and PL from  
332 an early age. Listening to what they want and need from PA opportunities could go some way to  
333 preventing this. This is also important to consider when tailoring interventions.

334 The decision tree analysis further cemented the factors influencing overall wellbeing. Our findings  
335 showed that feeling competent and safe significantly reduced emotional difficulties. Similarly, these  
336 factors, along with autonomy, correlated with lower behavioural difficulties. These findings highlight the  
337 protective role of feeling capable, safe and autonomous for young people. These are important  
338 characteristics as capability and autonomy can be underpinned by PL and PA respectively.

### 339 *Limitations*

340 This study and its findings are built on a cohort of Welsh school-aged children from 2015 to 2022.  
341 Therefore, it may not be appropriate to generalise findings, particularly those that relate to the Welsh  
342 context including specific legislation and the Curriculum for Wales. Furthermore, the sample is based on  
343 schools who chose to actively engage with HAPPEN. However, lessons can be learned from these  
344 policies. Future research should also explore a broader range of predictors and consider longitudinal  
345 studies to assess the long-term impact of interventions targeting PL and PA on overall wellbeing. The

346 findings are cross sectional surveys and so it is not possible to give causal inference that being active  
347 leads to better wellbeing just that children who self-report lower sedentary levels report better wellbeing.

### 348 *Conclusion*

349 Early years is a pivotal timepoint in which wellbeing can be influenced (4,5) and therefore, has important  
350 policy and practice implications. The key message is that improving time and amount of physical activity  
351 on its own is not enough for wellbeing and mental health benefits alone, belief in being able to participate  
352 and opportunities to do PA can enhance wellbeing by addressing confidence, competence and autonomy.  
353 These can also be tailored for specific demographic groups, particularly girls and those from deprived  
354 areas to help reduce inequalities. Higher wellbeing equates to better learning outcomes which is likely to  
355 impact academic attainment (4), therefore it serves school settings to provide for and listen to children  
356 and young people.

357 Given the findings of this study, there are key considerations which could be made to improve the  
358 wellbeing and mental health of young people:

- 359 1. Involve pupils, teachers and other key stakeholders in co-designing PA/PL interventions. This  
360 ensures that they are relevant and meet the needs of the children. This will go some way to giving  
361 young people autonomy over their activity and needs.
- 362 2. Provide a variety of PA opportunities within schools, such as PE lessons, break-time activities,  
363 and extracurricular clubs. This should include structured and unstructured play to cater to  
364 different interests and promote overall wellbeing.
- 365 3. Work with local authorities to improve community safety by addressing crime rates, traffic, and  
366 littering, which can significantly impact children's sense of safety and, subsequently, their  
367 wellbeing and mental health.

368 Helping children to have the confidence to feel that they are good at an activity, feeling safe and having  
369 autonomy is good for wellbeing. It is worth noting that play and physical activity can help with giving a  
370 sense of confidence and competence, but it might not be the only solution. Future work should look to  
371 explore other activities such as creative outlets.

372

373

374

375

376

377

378

379

380

381

382

383

384

385

386 **Funding Statement**

387 This study has been funded by the Centre for Population Health (CPH), ADR-Wales and Play Wales. The  
388 funders had no role in study design, data collection and analysis, decision to publish, or preparation of the  
389 manuscript.

390 **Acknowledgements**

391 The research team would like to thank all teachers, schools and pupils who have taken part in HAPPEN  
392 since its inception in 2014 and for their support in co-developing and producing the survey, strategy and  
393 direction.

394 **Author Contributions**

395 MJ led the conceptualisation, data curation, analysis, methodology, visualisation and writing (original  
396 draft and ongoing revisions) of this study. MA assisted with analysis and methodology. MSB supported  
397 analysis and writing (original draft and ongoing revisions). MM assisted with writing (ongoing revisions)  
398 and visualisation. LH supported writing ongoing revisions. EM assisted with writing (ongoing revisions)  
399 and has helped with data curation. SB supported writing (ongoing revisions) and ongoing data curation.

400

401

402

403

404

405

## 406     **References**

- 407     1.     Cambridge University Press. Online Dictionary. 2024.
- 408     2.     Mead J, Fisher Z, Wilkie L, Gibbs K, Pridmore J, Tree J, et al. Rethinking wellbeing: Toward a  
409     more ethical science of wellbeing that considers current and future generations. *Authorea Prepr*  
410     [Internet]. 2019;(August):1–51. Available from:  
411     [https://www.authorea.com/users/9886/articles/388348-rethinking-wellbeing-toward-a-more-](https://www.authorea.com/users/9886/articles/388348-rethinking-wellbeing-toward-a-more-ethical-science-of-wellbeing-that-considers-current-and-future-generations)  
412     [ethical-science-of-wellbeing-that-considers-current-and-future-generations](https://www.authorea.com/users/9886/articles/388348-rethinking-wellbeing-toward-a-more-ethical-science-of-wellbeing-that-considers-current-and-future-generations)
- 413     3.     Kennewell E, Curtis RG, Maher C, Luddy S, Virgara R. The relationships between school  
414     children’s wellbeing, socio-economic disadvantage and after-school activities: a cross-sectional  
415     study. *BMC Pediatr* [Internet]. 2022;22(1):1–9. Available from: [https://doi.org/10.1186/s12887-](https://doi.org/10.1186/s12887-022-03322-1)  
416     [022-03322-1](https://doi.org/10.1186/s12887-022-03322-1)
- 417     4.     Allen K, Marlow R, Edwards V, Parker C, Rodgers L, Ukoumunne OC, et al. ‘How I Feel About  
418     My School’: The construction and validation of a measure of wellbeing at school for primary  
419     school children. *Clin Child Psychol Psychiatry*. 2018;23(1):25–41.
- 420     5.     Moore GF, Anthony RE, Hawkins J, Van Godwin J, Murphy S, Hewitt G, et al. Socioeconomic  
421     status, mental wellbeing and transition to secondary school: Analysis of the School Health  
422     Research Network/Health Behaviour in School-aged Children survey in Wales. *Br Educ Res J*.  
423     2020;46(5):1111–30.
- 424     6.     James M, Marchant E, Defeyter MA, Woodside J, Brophy S. Impact of school closures on the  
425     health and well-being of primary school children in Wales (UK): a routine data linkage study  
426     using the HAPPEN Survey (2018-2020). *BMJ Open* [Internet]. 2021 Oct;11(10). Available from:  
427     <https://doi.org/10.1136/bmjopen-2021-051574>

- 428 7. James M, Jones H, Baig A, Marchant E, Waites T, Todd C, et al. Factors influencing wellbeing in  
429 young people during COVID-19: A survey with 6291 young people in Wales. PLoS One  
430 [Internet]. 2021;16(12 December):1–17. Available from:  
431 <http://dx.doi.org/10.1371/journal.pone.0260640>
- 432 8. Cairney J, Dudley D, Kwan M, Bulten R, Kriellaars D. Physical Literacy , Physical Activity and  
433 Health : Toward an Evidence - Informed Conceptual Model. Sport Med [Internet].  
434 2019;49(3):371–83. Available from: <https://doi.org/10.1007/s40279-019-01063-3>
- 435 9. Whitehead M. The Concept of Physical Literacy. Eur J Phys Educ. 2001;6(2):127–38.
- 436 10. Cairney J, Pfeifer K, Carl J, Barratt J, Clemens T. How are physical literacy interventions  
437 conceptualized ? – A systematic review on intervention design and content. Psychol Sport Exerc.  
438 2022;58:1–19.
- 439 11. Welsh Government, Education Wales. Our National Mission: A Transformational Curriculum.  
440 Cardiff; 2019.
- 441 12. Liu Y, Chen S. Physical literacy in children and adolescents : Definitions , assessments , and  
442 interventions. Eur Phys Educ Rev. 2021;27(1):96–112.
- 443 13. Caldwell HAT, Cristofaro NA Di, Cairney J, Bray SR, Macdonald MJ, Timmons BW. Physical  
444 Literacy , Physical Activity , and Health Indicators in School-Age Children. Int J Environ Res  
445 Public Health. 2020;17(5367):1–12.
- 446 14. Welsh Government, Education Wales. Draft Statutory Guidance Area of Learning and Experience:  
447 Health and Well-being. Cardiff; 2019.
- 448 15. Melby PS, Nielsen G, Elsborg P, Bentsen P. Cross-sectional associations between adolescents ‘  
449 physical literacy , sport and exercise participation , and wellbeing. Front Public Heal. 2023;10:1–

- 450 12.
- 451 16. Welsh Government. Curriculum for Wales. 2023 [cited 2023 Jul 26]. Area of Learning and  
452 Experience: Health and Wellbeing. Available from: [https://hwb.gov.wales/curriculum-for-](https://hwb.gov.wales/curriculum-for-wales/health-and-well-being)  
453 [wales/health-and-well-being](https://hwb.gov.wales/curriculum-for-wales/health-and-well-being)
- 454 17. Health Social Care and Sport Committee. Physical Activity of Children and Young People. Natl  
455 Assem Wales. 2019;
- 456 18. GOV.UK, Ofsted. Research Review Series: PE. GOVUK [Internet]. 2022;1–65. Available from:  
457 <https://www.gov.uk/government/publications/research-review-series-pe/research-review-series-pe>
- 458 19. Play Wales. Playing and being well. 2023.
- 459 20. Richards AB, Mackintosh KA, Swindell N, Ward M, Marchant E, James M, et al. WALES 2021  
460 Active Healthy Kids (AHK) Report Card: The Fourth Pandemic of Childhood Inactivity. Int J  
461 Environ Res Public Health. 2022;19(13):1–16.
- 462 21. The HAPPEN Network Wales. HAPPEN Wales. 2024.
- 463 22. Christian D, Todd C, Davies H, Rance J, Stratton G, Rapport F. Community led active schools  
464 programme ( CLASP ) exploring the implementation of health interventions in primary schools :  
465 headteachers ’ perspectives. BMC Public Health. 2015;15:1–11.
- 466 23. Todd C, Christian D, Davies H, Rance J, Stratton G, Rapport F, et al. Headteachers’ prior beliefs  
467 on child health and their engagement in school based health interventions: A qualitative study.  
468 BMC Res Notes [Internet]. 2015;8(1):1–10. Available from: ???
- 469 24. Todd C, Chistian D, Tyler R, Stratton G, Brophy S. Developing HAPPEN (Health and Attainment  
470 of Pupils involved in a Primary Education Network): working in partnership to improve child

- 471 health and education. *Perspect Public Health*. 2016;136(3):115–6.
- 472 25. The Children’s Society. *The Good Childhood Report 2021*. 2021;1–54. Available from:  
473 [http://www.childrenssociety.org.uk/sites/default/files/tcs/good\\_childhood\\_report\\_2013\\_final.pdf](http://www.childrenssociety.org.uk/sites/default/files/tcs/good_childhood_report_2013_final.pdf)
- 474 26. Deighton J, Tymms P, Vostanis P, Belsky J, Fonagy P, Brown A, et al. The Development of a  
475 School-Based Measure of Child Mental Health. *J Psychoeduc Assess*. 2013;31(3):247–57.
- 476 27. Statistics for Wales. *Welsh Index of Multiple Deprivation*. 2011;1–5. Available from:  
477 [www.wales.gov.uk/statistics](http://www.wales.gov.uk/statistics)
- 478 28. Telama R. Tracking of physical activity from childhood to adulthood: A review. *Obes Facts*.  
479 2009;2(3):187–95.
- 480 29. Ergler CR, Freeman C, Guiney T. Walking with preschool-aged children to explore their local  
481 wellbeing affordances. *Geogr Res*. 2021;59(1):118–35.
- 482 30. James M, Rasheed M, Bandyopadhyay A, Mannello M, Marchant E, Brophy S. The Effect  
483 COVID Has Had on the Wants and Needs of Children in Terms of Play: Text Mining the  
484 Qualitative Response of the Happen Primary School Survey with 20,000 Children in Wales, (UK)  
485 between 2016 and 2021. *Int J Environ Res Public Health* [Internet]. 2022 Oct;19(19):12687.  
486 Available from: <https://doi.org/10.3390%2Fijerph191912687>
- 487 31. Lee RLT, Lane S, Brown G, Leung C, Kwok SWH, Chan SWC. Systematic review of the impact  
488 of unstructured play interventions to improve young children’s physical, social, and emotional  
489 wellbeing. *Nurs Heal Sci*. 2020;22(2):184–96.
- 490 32. Wainwright N. The foundation phase in Wales: Outdoor learning and motor development. *J Phys*  
491 *Educ Sport*. 2021;21(1):567–73.



- 492 33. Welsh Government. First Steps Outdoors. 2021.
- 493 34. Barcley M. Older children play too. Play Wales [Internet]. 2019;1(1). Available from:  
494 [https://issuu.com/playwales/docs/older\\_children\\_play\\_too?e=5305098/67609935](https://issuu.com/playwales/docs/older_children_play_too?e=5305098/67609935)
- 495 35. INEOS. The Daily Mile [Internet]. 2024 [cited 2024 Jul 3]. Available from:  
496 <https://thedailymile.co.uk/>
- 497 36. Melby PS, Nielsen G, Brønd JC, Tremblay MS, Bentsen P, Elsborg P. Associations between  
498 children's physical literacy and wellbeing: Is physical activity a mediator? BMC Public Health  
499 [Internet]. 2022;1–13. Available from: <https://doi.org/10.1186/s12889-022-13517-x>
- 500 37. Stratton G, Foweather L, Hughes H. Dragon Challenge: A National Indicator For Children's  
501 Physical Literacy in Wales. *Surveill Rep January ...* [Internet]. 2017;(October):31. Available  
502 from: [https://www.researchgate.net/profile/Lawrence-Foweather/publication/320346949\\_Dragon\\_Challenge\\_A\\_National\\_Indicator\\_for\\_Children%27s\\_Physical\\_Literacy\\_in\\_Wales\\_Surveillance\\_Report/links/59df39720f7e9b2dba82e2a8/Dragon-Challenge-A-National-Indicator-for-Ch](https://www.researchgate.net/profile/Lawrence-Foweather/publication/320346949_Dragon_Challenge_A_National_Indicator_for_Children%27s_Physical_Literacy_in_Wales_Surveillance_Report/links/59df39720f7e9b2dba82e2a8/Dragon-Challenge-A-National-Indicator-for-Ch)  
503  
504  
505
- 506 38. Marzi I, Reimers AK. Children's independent mobility: Current knowledge, future directions, and  
507 public health implications. *Int J Environ Res Public Health*. 2018;15(11).
- 508 39. Bandyopadhyay A, Whiffen T, Fry R, Brophy S. How does the local area deprivation influence  
509 life chances for children in poverty in Wales: A record linkage cohort study. medRxiv [Internet].  
510 2021 Jan 1;2021.06.21.21259276. Available from:  
511 <http://medrxiv.org/content/early/2021/06/26/2021.06.21.21259276.abstract>
- 512 40. Stiglic N, Viner RM. Effects of screentime on the health and well-being of children and  
513 adolescents: A systematic review of reviews. *BMJ Open*. 2019;9(1).

514 41. McDool E, Powell P, Roberts J, Taylor K. The internet and children’s psychological wellbeing. J  
515 Health Econ. 2020;69.

516 42. Ryde GC, Booth JN, Brooks NE, Chesham RA, Moran CN, Gorely T. The Daily Mile: What  
517 factors are associated with its implementation success? PLoS One. 2018;13(10):1–14.

518 43. Marchant E, Todd C, Stratton G, Brophy S. The Daily mile: Whole-school recommendations for  
519 implementation and sustainability. A mixed-methods study. PLoS One. 2020;15(2):1–28.

520

521

522

523

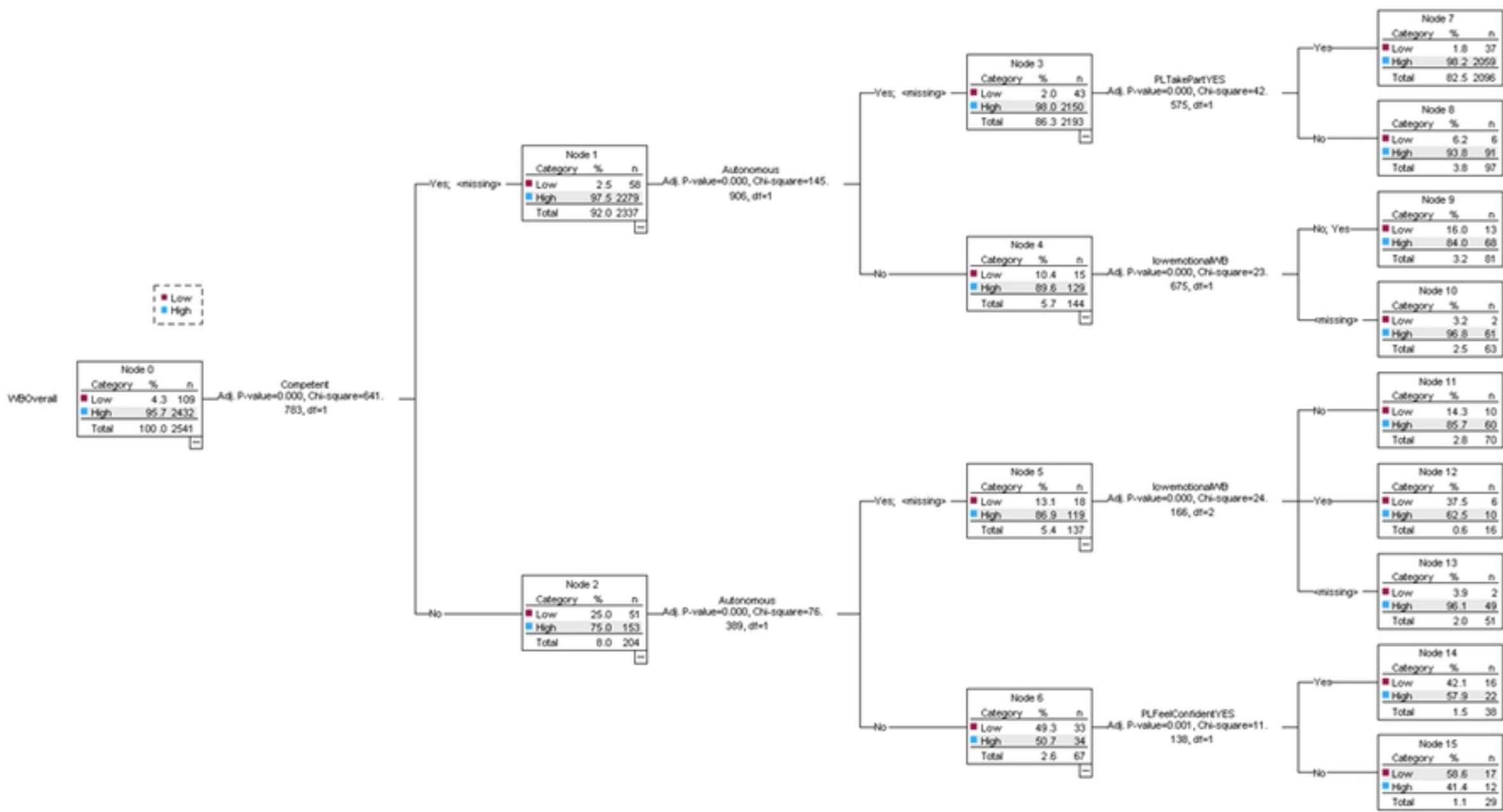
524

525

526

527

528



Figure