

1 Quantifying the impact of norovirus transmission in the community on acute
2 kidney injury hospitalisations in England: a mathematical modelling study

3

4 **Authors:**¹*Hikaru Bolt, ¹Pratik Gupte, ²Amy Douglas, ¹*Frank G. Sandmann, ¹Laurie Tomlinson,
5 ¹Rosalind Eggo

6

7 **Affiliations:**

8 1. London School of Hygiene and Tropical Medicine, *Present address: Robert Koch Institute

9 2. Gastrointestinal Infections, Food Safety and One Health Division, UK Health Security Agency,
10 London, UK

11

12 *Corresponding author:

13 Email: Hikaru.bolt@lshtm.ac.uk

14 **Abstract**

15 Norovirus is one of the most common gastrointestinal pathogens and causes substantial
16 morbidity and mortality worldwide. A serious consequence can be acute kidney injury (AKI),
17 characterised by a rapid deterioration of kidney function. A quarter of all inpatients have AKI,
18 which is associated with an increased risk of mortality. This study aimed to quantify the
19 contribution of norovirus community transmission to AKI hospitalisations in England and its
20 attributable cost.

21
22 We developed an age-structured deterministic compartmental dynamic transmission model for
23 norovirus. We used a Bayesian approach to fit the model to multiple electronic health data
24 sources, including hospitalisations and primary care records for AKI and gastroenteritis, as well
25 as laboratory-confirmed norovirus surveillance data in England, from 2013-2019. We used
26 Markov Chain Monte Carlo to estimate the effect of norovirus incidence on community-acquired
27 AKI hospitalisations. We estimate 25.4% (95% CrI: 17.9-36.3%) of norovirus infections in people
28 aged 65 years and above were linked to community-acquired AKI hospitalisations, amounting to
29 793,229 (95% CrI: 557,125-1,130,593) hospitalisations between 2013-2019. This represents
30 16.3% (95% CrI: 11.4-23.2%) of community acquired AKI hospitalisations in people aged 65
31 years and above over this period. The economic healthcare cost associated with norovirus-
32 linked AKI admissions was estimated to be on average £343 million annually.

33
34 Gastroenteritis has previously been identified as an important risk factor for AKI in vulnerable
35 patients. Our results suggest norovirus incidence in the community plays an important role in
36 driving AKI hospitalisations in individuals aged 65 years and above. This is the first population-
37 level estimate of the prevalence of norovirus infections linked to hospitalisations for AKI, and the
38 comparable seasonal patterns between the two. This presents a substantial economic burden
39 on the healthcare system and AKI hospitalisation should be an important consideration when
40 evaluating future norovirus vaccines.

41

42

43

44

45

46

47 Introduction

48

49 Norovirus is a viral gastrointestinal infection that is the most commonly reported cause of acute
50 gastroenteritis in the UK, estimated to cause 3.7 million cases per year (1). While often self-
51 limiting, with symptoms lasting 2-3 days, disease can be severe in children, the elderly, and
52 people with impaired immune function (2). The majority of norovirus transmission is thought to
53 occur as person-to-person transmission in the community with an important burden in settings
54 such as schools, care homes, and hospitals (3). Norovirus has a low infectious dose and is a
55 genetically diverse virus making control efforts challenging (2,4,5). In healthcare settings like
56 hospitals, outbreaks of norovirus cause major disruptions due to prolonging admissions and the
57 implementation of control measures reducing bed availability during peak winter months (3,6,7).
58 Norovirus incidence demonstrates a clear seasonality with regular peaks in winter driven by a
59 complex interplay between population immunity, environmental factors, and host-behavioural
60 factors (8,9).

61

62 Through dehydration from vomiting and diarrhoea, a serious consequence of norovirus infection
63 can be acute kidney injury (AKI). AKI is characterised by a rapid deterioration of kidney function
64 undermining metabolic, electrolyte, and fluid homeostasis (10). In some settings, 20-25% of all
65 patients admitted to hospital are diagnosed with AKI (10,11). It is associated with prolonged
66 admissions and a 4-16-fold increase in the odds of death (11). In the UK, it is estimated that AKI
67 inpatient care and longer term impacts cost £1.02 billion annually, equivalent to 1% of the NHS
68 budget in 2011 (12). Associated risk factors for AKI include older age, chronic kidney disease,
69 hypertension, diabetes, heart failure, drug toxicity, and infection (10). This diverse range of
70 aetiologies poses challenges in targeting mechanisms to reduce the burden of AKI as a global
71 public health issue.

72

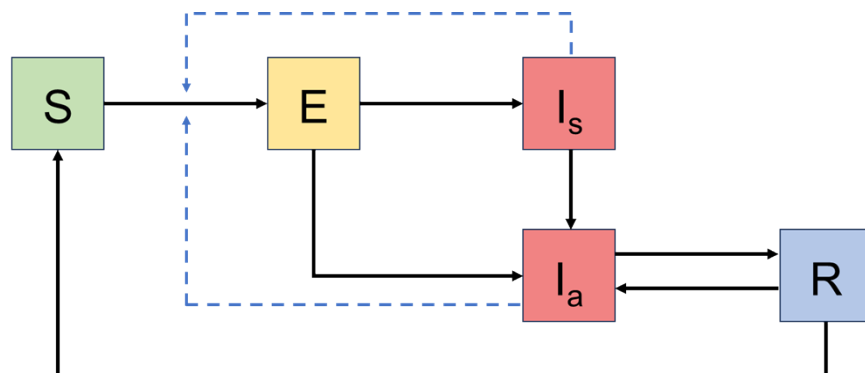
73 Hospital admissions for AKI demonstrate a seasonal pattern with winter increases, suggesting
74 infection as an important contributor of AKI burden (13–15), and a substantially increased risk
75 after gastroenteritis compared to other infections (16). Therefore, we hypothesised that
76 increases in gastrointestinal viruses, in particular norovirus, are a driver of AKI trends over time
77 in the UK. Therefore, we sought to quantify the contribution of community norovirus to AKI
78 hospitalisations, and its attributable cost. We fit a mathematical model of norovirus transmission
79 to AKI hospitalisation data and use Bayesian inference to estimate the contribution. With a
80 number of vaccine candidates for norovirus in development (17), this study presents new
81 insights that will serve to illustrate further aspects on the potential benefits of introducing
82 norovirus vaccination in England.

83 Methods

84 Transmission Model

85 To model norovirus transmission, we developed an adapted deterministic Susceptible (S),
86 Exposed (E), Infected (I), Recovered (R) model from previously published studies (18–20). The

87 model includes two infected compartments; symptomatic (I_s) and asymptomatic (I_a) (Figure 1).
 88 The model is age stratified into four age groups: 0-4; 5-14; 15-64; 65+ years. This age
 89 stratification is to reflect young children (0-4 years) having the highest estimated incidence of
 90 norovirus, and older adults (65+ years) who are most vulnerable to severe disease (1,19,20).
 91



92
 93
 94 **Figure 1:** Compartmental model diagram with the following classes: S, susceptible; E, exposed; I_a , infectious
 95 asymptomatic; I_s , infectious symptomatic; R, recovered. Arrows denote becoming infected, moving through the
 96 infection and recovery process, and waning of immunity. Force of infection is denoted by the dashed lines. Births,
 97 deaths, and ageing are included in the model but not depicted in the diagram.

98
 99 Susceptible individuals are infected at rate λ into the Exposed compartment. Exposed
 100 individuals have an incubation period of μ then progress to be Infected-symptomatic (I_s) or
 101 Infected-asymptomatic (I_a). To capture heterogeneous and assortative contact patterns between
 102 age-groups, denoted c_{ij} , contact matrix data in the UK from the POLYMOD survey were
 103 extracted using the R package socialmixr (21,22). The proportion symptomatic is σ , and the
 104 proportion asymptomatic $1-\sigma$. Symptomatic individuals progress into the asymptomatic
 105 compartment at a rate of ψ , representing the rate of loss of symptoms. Asymptomatic
 106 individuals then progress into the Recovered compartment at a rate of γ representing the rate of
 107 recovery.

108
 109 In the recovered compartment, individuals are immune and then return to the Susceptible
 110 compartment at a rate of ω . However, to reflect that during the period of immunity, individuals
 111 can be re-infected but not have disease, the same force of infection applied to susceptible
 112 individuals was applied to the recovered compartment. The full model equations, details on the
 113 force of infection and seasonality are in Supplement S1.

114 115 **Model fitting overview**

116
 117 We fit our model to various sources of data which include: UK Health Security Agency's Second
 118 Generation Surveillance System (SGSS), the second longitudinal study of infectious intestinal
 119 diseases in the UK (IID2), the Clinical Practice Research Datalink (CPRD) Aurum, and Hospital
 120 Episode Statistics (HES). Information about each data source is outlined in Supplement S2. Use
 121 of CPRD/HES was approved in 2023 (protocol 23_003034).
 122

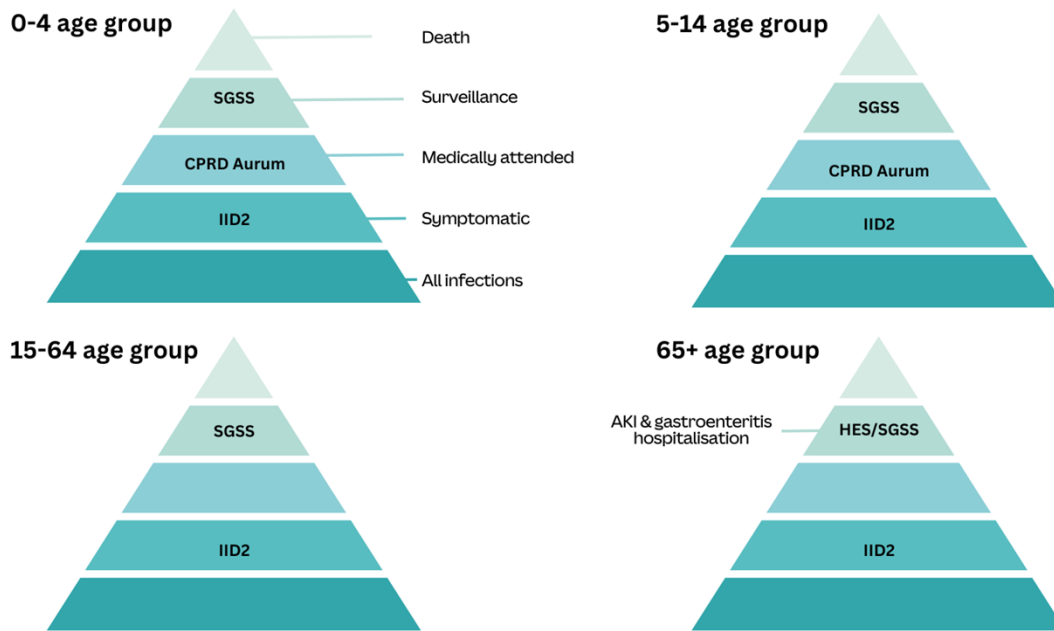
123 We operate under the assumption that each source represents distinct segments of the
124 surveillance pyramid and as a result, capture different norovirus dynamics across the age
125 groups (Figure 2). For example, norovirus dynamics are more likely to be captured in GP data in
126 younger age groups; whereas in older age groups norovirus dynamics are more likely captured
127 in hospitalisation data. This assumption therefore underpins our fitting approach: in age groups
128 0-4 and 5-14, we fit our model to medically attended gastroenteritis captured by primary care
129 data. In the 65+ age group we fit to gastroenteritis and acute kidney injury hospitalisation data.
130 In the 15-64 age group, norovirus dynamics are poorly captured in GP and hospitalisation data,
131 therefore we did not fit to either sources. All age groups were fitted to the surveillance data and
132 community incidence estimates generated by IID2 (23).

133
134 We defined a GP attendance for gastroenteritis where there was a recorded pathogen code
135 (positive test for norovirus) or a diagnosis code (e.g. gastroenteritis) (Supplement S7.3).
136 Symptom codes (e.g. diarrhoea and vomiting only) were not included as they were non-specific.

137
138 We defined community-acquired hospitalisations as an AKI code recorded in any position
139 (primary, secondary, tertiary, etc.) in an episode within three days of admission, and refer to this
140 definition as 'AKI hospitalisation' subsequently. We defined gastroenteritis hospitalisation as a
141 relevant ICD-10 code in any position in HES, at any time during an admission.

142
143 We fit the model to data between 2013-2019, in order to target a period after the introduction of
144 the rotavirus vaccine in order to minimise the contribution of a major causative agent for
145 gastroenteritis. Similarly, we end the observation period in 2019 in order to exclude the period of
146 the COVID-19 pandemic, where norovirus dynamics were disrupted and SARS-CoV-2 was a
147 major causative agent for AKI during that period.

148
149
150
151
152
153
154
155
156
157
158
159
160
161
162
163
164
165



166
167
168
169
170
171
172

Figure 2: Schematic of the surveillance pyramid stratified by age. Each source of data captures different segments of the pyramid. We assumed that norovirus dynamics vary across age groups, meaning certain data sources more accurately reflect these dynamics in specific age groups. Within each age group, we label the data source used to fit the model. SGSS, Second Generation Surveillance System; CPRD Aurum, Clinical Practice Research Datalink Aurum; IID2, Longitudinal study of infectious intestinal disease in the UK; HES, Hospital Episode Statistics.

173 **Observation model**

174 *Observation model for GP attendance*

175
176 We developed an observation model to link the modelled incidence of norovirus infections to GP
177 attendances for gastroenteritis in age groups 0-4 and 5-14. In order to capture secular trends in
178 the data parsimoniously, we applied a B-spline function with three knots to the modelled
179 incidence data. The output is multiplied by a parameter to scale the modelled output to
180 observed data of GP attendance for all-cause gastroenteritis.

181 182 *Observation model for hospitalisations*

183
184 We developed an observation model to link the modelled incidence of norovirus infections to
185 hospitalisations with gastroenteritis and AKI, in people 65 years old and above. Unlike the GP
186 attendance model, this approach assumes that the seasonal patterns in AKI data are partly due
187 to norovirus. We estimate a key parameter of the proportion of norovirus infections linked to AKI

188 hospitalisations, which scales the amplitude of the observation model to fit the observed AKI
189 data. Through Bayesian inference, we estimate the parameter value that best matches the
190 observed AKI seasonality. To account for other AKI causes, we add the sinusoidal changes in
191 norovirus linked AKI hospitalisation data to a cubic spline representing long-term trends. A step-
192 by-step explanation is outlined in Supplement S3.

193

194 **Bayesian inference**

195

196 We fitted the model to the different datasets and age groups using a Poisson likelihood. The log
197 likelihood of each data source was added together to give an overall log likelihood (Supplement
198 S3.4). To estimate the posterior distribution of the parameters giving the best fit between the
199 model and the different data sources, we used an adaptive Markov Chain Monte Carlo (MCMC)
200 with the Metropolis-Hastings algorithm. We run five chains of 500,000 iterations, discarding the
201 first 50,000 to have a more representative distribution of the posteriors being estimated (burn
202 in). We also thinned the chain by 50 in order to reduce autocorrelation in the samples (thinning).

203

204 In the AKI hospitalisation data, there were periods of increased hospitalisations in summer
205 months strongly associated with heat waves. Therefore, we collected data from the UK
206 meteorological office on time periods where heat waves were declared. We excluded AKI
207 hospitalisation data as part of the likelihood calculation during these weeks in order to minimise
208 spuriously fitting parameters to data unlikely associated with norovirus dynamics.

209

210 **Cost analysis**

211

212 To estimate the economic cost of norovirus linked AKI hospitalisations we collated the reference
213 costs for acute kidney injury (LA07) reported by the National Health Service between 2013-2019
214 (24,25). Costs associated with AKI vary by whether an intervention was made and the
215 complication and comorbidity score, therefore we used the mean activity weighted reference
216 cost for each year. The mean reference cost was multiplied by the estimated number of AKI
217 admissions linked to norovirus and a range of costs from the posterior distribution of the fitted
218 parameter. We assume a variable cost of 15%, meaning the cost saved if the norovirus
219 attributable AKI hospitalisation was prevented during this period (26). All costs were inflated to
220 2021 using the NHS cost inflation index (27).

221 **Sensitivity analysis**

222 To examine the robustness of our results we conducted a number of sensitivity analyses. First,
223 we fit the proposed model to include a broader definition of AKI hospitalisation. We also fit the
224 model to AKI hospitalisation data including the periods associated with heatwaves.

225

226 **Software**

227

228 We carried out the analysis using R version 4.4. We developed an R package called *noromod*
229 (<https://github.com/pratikunterwegs/noromod>) to execute the compartmental dynamic

230 transmission model of norovirus. Model fitting and analysis code are available at:
231 https://github.com/ehr-lshtm/acute_kidney_injury_norovirus_transmission_model.

232 Results

233 Descriptive analysis

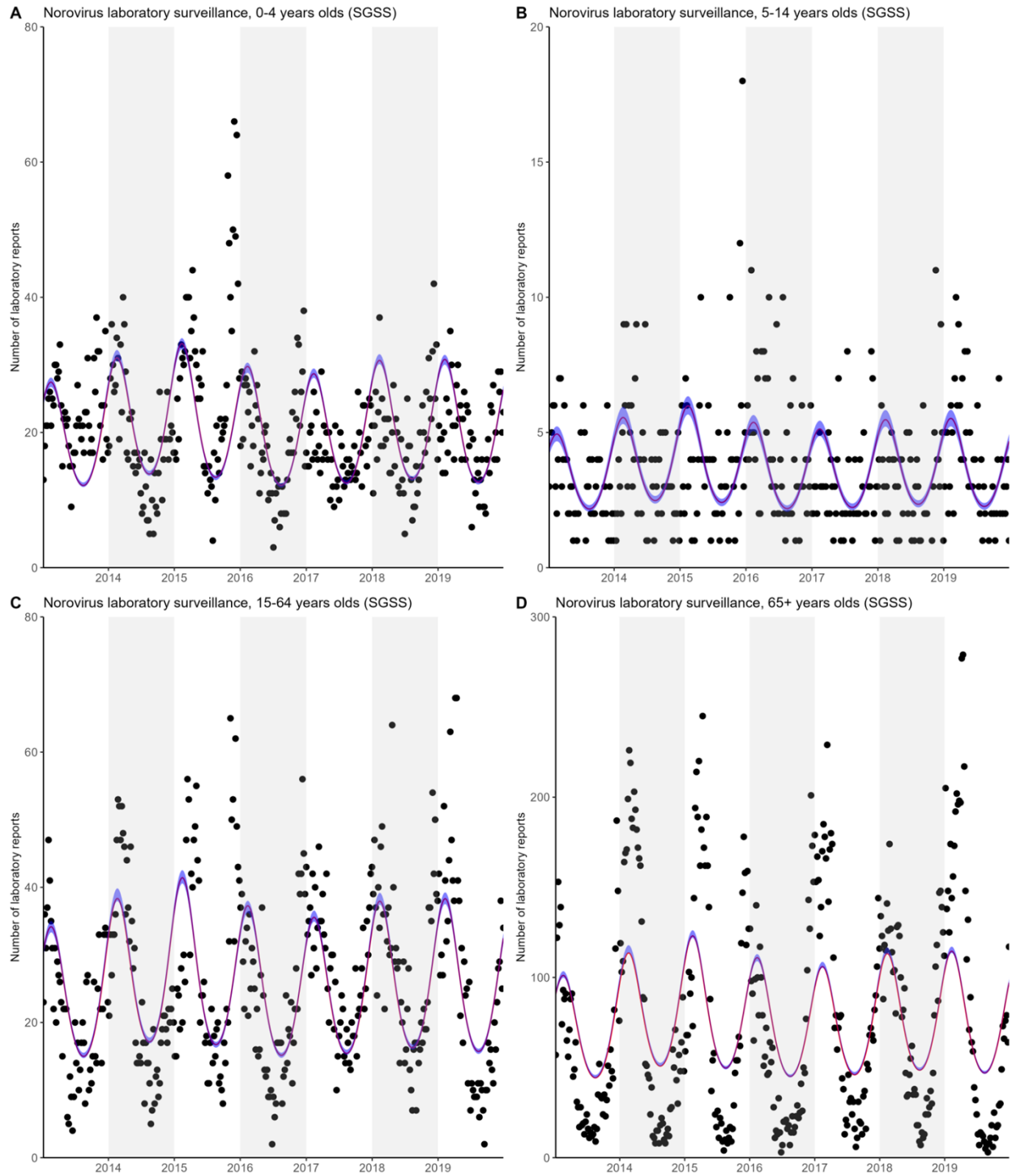
234 Across six seasons (June to July) between 2013 and 2019, incidence of AKI hospitalisation in
235 65+ years old was 80 per 100,000 person years at the beginning of 2013 and rising year on
236 year to 131 per 100,000 person years at the end of 2019 (Supplement S4). We observed
237 distinct winter seasonal increases in AKI hospitalisation consistently peaking between week 52
238 and week 1. Norovirus surveillance peaks varied each between week 2 and 13. In the
239 2016/2017 season a peak was observed in week 47. GP attendance in children 0-4 and 5-14 for
240 gastroenteritis typically showed double peaks, with acute drops in attendance data in week 52;
241 typically a period defined by bank holidays and school closures in England. GP attendances for
242 gastroenteritis nearly double each winter compared to summer incidence. Gastroenteritis
243 hospitalisation showed a much less pronounced winter seasonal peak compared to other
244 sources of data. Peaks in gastroenteritis hospitalisation also occurred between week 2 and 13
245 of each season.

246 Model fit and parameter estimates

247 In general, our model fits each source of data adequately (Figure 1 and Figure 2). For the
248 norovirus surveillance data, generally across the age groups the height and timing of the peaks
249 and troughs were captured (Figure 1). The amplitude of seasonality was captured less well in
250 the over 65-year-old surveillance data. For GP attendance for gastroenteritis and gastroenteritis
251 hospitalisation, peaks and troughs were captured by the model (Figure 2). The fit to AKI
252 hospitalisations captured troughs adequately, but the height and timing of the peaks were
253 captured less well (Figure 2 panel D). Compared to IID2 incidence rate data, our model reported
254 estimates within the bounds of the IID2 study estimates, except for the under 5 incidence, where
255 we underestimate incidence (Supplement S5.1).

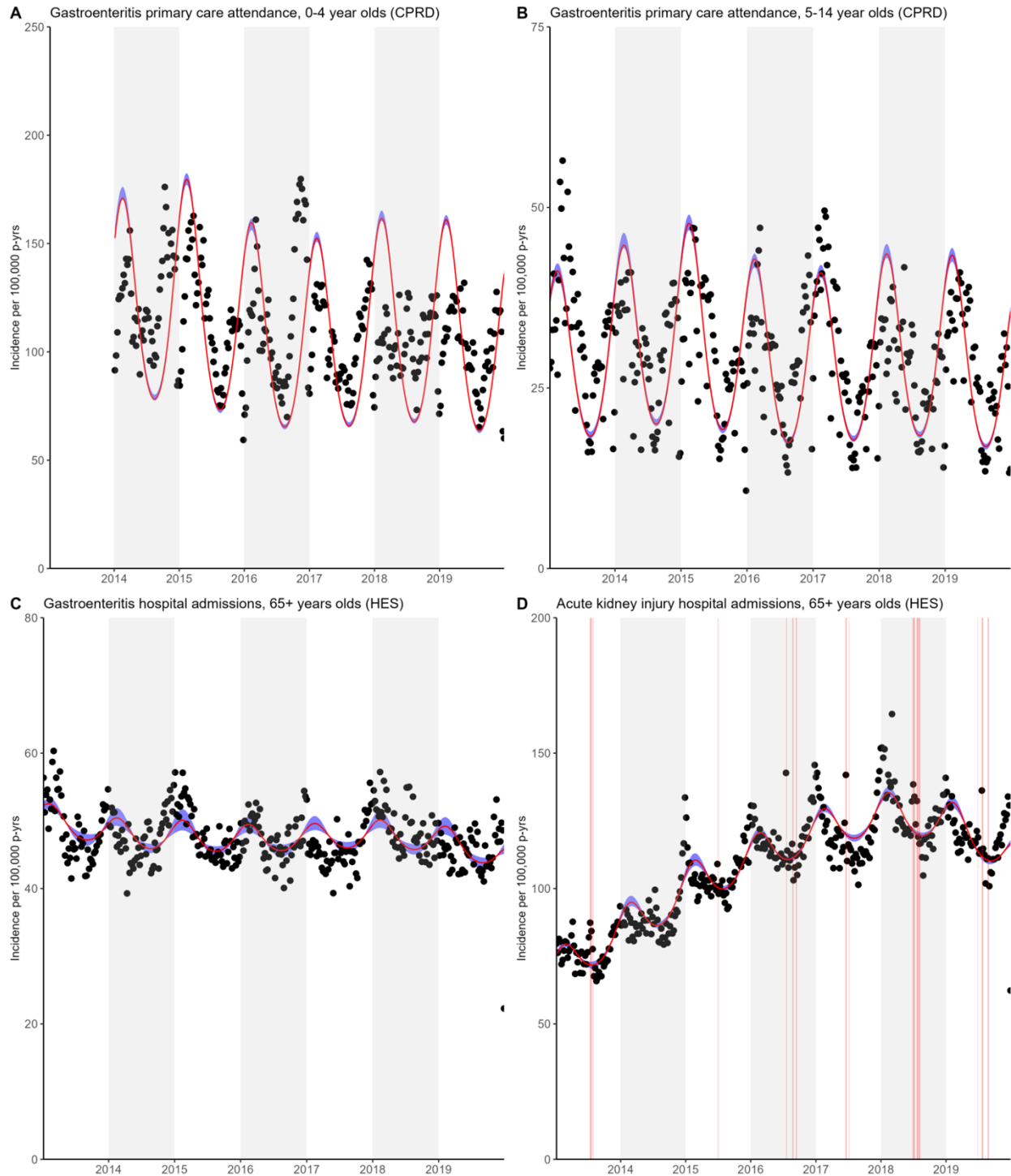
256
257 The posterior for the probability of transmission between under five-year-olds was 0.19 (95%
258 CrI: 0.18-0.22) and for the probability of transmission to (and between) over five years olds was
259 0.04 (95% CrI: 0.037-0.048) (Table 1). Duration of immunity was estimated to be 9.0 years
260 (95% CrI: 8.3-9.8). To fit the observed hospitalisations and surveillance data, we estimated that
261 approximately 1 in 15 over 65-year-olds with symptomatic norovirus infection were hospitalised,
262 and 1 in 112 were reported to surveillance. When fitting the model to AKI hospitalisation data,
263 we estimated that the proportion of symptomatic norovirus infections linked to an AKI
264 hospitalisation was 0.25 (95% CrI: 0.18-0.36).

265



266
 267
 268
 269

Figure 2: Model fit to norovirus surveillance data (SGSS), 2013-2019 stratified by age A) 0-4 years olds B) 5-14-year-olds C) 15-64 year olds D) 65+ year olds



270

271 **Figure 3:** Model fit to various data sources, 2013-2019 A) gastroenteritis primary care attendance, 0–4-
 272 year-olds (CPRD) B) gastroenteritis primary care attendance, 5-14 year olds (CPRD) C) gastroenteritis
 273 hospital admission, 65+ year olds (HES) D) acute kidney injury hospital admission, 65+ year olds (HES).
 274 Red shaded area in panel D denotes AKI hospitalisations not included in likelihood calculation as periods
 275 of AKI related to heat waves. Grey shaded area represent alternating calendar years to aid in visualising

276 peak timings. In the 0–4-year-old gastroenteritis primary care data (Panel A), we excluded data from the
 277 year 2013, as rotavirus vaccination had been introduced in the summer of 2013. Therefore, to improve
 278 the specificity of the gastroenteritis attendances for norovirus, years where rotavirus were significantly
 279 more active were excluded.
 280

Parameter	Median (95% CrI)	Explanation
Proportion symptomatic	0.827 (0.691-0.896)	Proportion of individuals symptomatic
Duration of immunity	9.01 (8.28-9.75)	Number of years individual is immune
Probability of infection between under 5s	0.192 (0.179-0.216)	Probability of transmission in under 5s transmitting to under 5s
Probability of infection to over 5s	0.0401 (0.0365-0.0478)	Probability of transmission transmitting to over 5s
Seasonal amplitude term	0.0385 (0.0371-0.041)	A term forcing the amplitude of the periodicity in the contact rate
Scaling seasonal amplitude for over 65	1.59 (1.18-2.18)	Scaling seasonal amplitude for over 65 seasonality to improve fit
Seasonal offset term	0.0837 (0.0634-0.105)	A term forcing the timing of the periodicity in the contact rate
Norovirus associated AKI hospitalisation in 65+	0.254 (0.179-0.363)	Proportion of symptomatic norovirus infections linked to an AKI hospitalisation in over 65s
Norovirus associated hospitalisation in 65+	0.0685 (0.033-0.114)	Proportion of symptomatic norovirus infections linked to a gastroenteritis hospitalisation in over 65s
Underreporting to surveillance 0-4	0.00192 (0.00181-0.00212)	Proportion of symptomatic norovirus in 0-4 year olds reported to surveillance
Underreporting to surveillance 5-14	0.000466 (0.000421-0.000517)	Proportion of symptomatic norovirus in 5-14 year olds reported to surveillance
Underreporting to surveillance 15-64	0.000775 (0.000717-0.000841)	Proportion of symptomatic norovirus in 15-64 year olds reported to surveillance
Underreporting to surveillance 65+	0.00892 (0.00674-0.0119)	Proportion of symptomatic norovirus in over 65s reported to surveillance
GP attendance for all cause gastroenteritis in under 5s	0.393 (0.374-0.434)	Reporting parameter linking symptomatic norovirus infection in under 5s to all cause gastroenteritis diagnosed in primary care
GP attendance for all cause gastroenteritis in 5-14s	0.301 (0.276-0.331)	Reporting parameter linking symptomatic norovirus infection in 5-14s to all cause gastroenteritis diagnosed in primary care

281
 282
 283

Table 1: Parameters and posterior estimates

284 **Estimate of norovirus leading to acute kidney injury hospitalisations**

285 Between 2013 and 2019, we estimate from our norovirus model that there were 3,117,707 (95%
 286 CrI: 2,356,661 - 4,174,546) infections in people aged 65 years and above. Based on the
 287 posterior estimate, 25.4% (95% CrI: 17.9-36.3%) were linked to an AKI hospitalisation. This
 288 would amount to 793,229 (95% CrI: 557,125-1,130,593) norovirus linked AKI hospitalisations.
 289 There were 4,874,534 AKI hospitalisations that meet the definition of community acquired.
 290 Given this, we estimate that 16.3% (95% CrI: 11.4-23.2%) of community acquired AKI
 291 hospitalisations in people aged 65 years and above could be attributable to norovirus infection
 292 in 2013-2019.

293
 294

Economic cost analysis

295
 296
 297
 298

We estimate that between 2013-2019, between £314 - £366 million per year was associated with norovirus linked AKI hospitalisations.

299 This amounts to £2.4 billion (CrI: £1.7 - £3.4 billion) during the observation period. Assuming the
 300 15% variable cost, preventing norovirus in people aged 65 years and above and thus AKI
 301 hospitalisation would amount to £361 million (CrI: £254-£515 million) savings between 2013-
 302 2019.

Year	Number of norovirus infections (thousands)	Number of AKI hospitalisations linked (thousands)	Mean activity weighted reference cost (£)	Annual total cost inflation adjusted (millions)
2013	412	105 (74-149)	2,600	£314 (£221-£447)
2014	466	119 (83-169)	2,690	£361 (£254-£514)
2015	474	120 (85-172)	2,700	£366 (£257-£521)
2016	430	109 (77-156)	2,610	£317 (£222-£452)
2017	439	112 (78-159)	2,660	£330 (£232-£470)
2018	453	115 (81-164)	2,830	£353 (£249-£505)
2019	445	113 (79-161)	3,000	£366 (£257-£521)
Total	3,118	793 (557-1,131)		£2,407 (£1,692-£3,430)

303

304 **Table 2:** Estimated annual costs associated with norovirus linked acute kidney injury hospitalisations.
 305 Cost values inflated to 2021 using the NHS cost inflation index (27)

306 Sensitivity analysis

307 Broadening the definition of AKI did not change the posterior parameter estimates. Given that
 308 our definition of community acquired AKI represents greater than 95% of AKI codes recorded,
 309 we would expect our results to be robust. Furthermore, including hospitalisation counts strongly
 310 associated with heat waves also did not change the posterior parameter estimates. While the
 311 likelihood is increased, these only represent 20 weeks out of 365 weeks of data fitted to,
 312 therefore we would expect posterior parameter estimates to be unchanged.

313 Discussion

314

315 We developed a model of norovirus transmission in the community fitted to AKI data to estimate
 316 the percentage of infections associated with community acquired AKI hospitalisation. We
 317 estimate one in four norovirus infections can be linked to an AKI hospitalisation in the elderly,
 318 amounting to 793,229 hospitalisations between 2013-2019 that represent costs to the NHS of
 319 £343 million annually.

320

321 *Results in context*

322

323 Literature on quantitative estimates of norovirus infections linked to AKI are limited. This is
 324 because gastroenterological symptoms may have resolved by the time of hospital admission
 325 leading to historical under recognition of this association through limited virological confirmation
 326 and under ascertainment in hospital coding. Given this, most studies explore associations
 327 between gastroenteritis and AKI. The prevalence of AKI among children in Uganda hospitalised

328 with gastroenteritis was 28%, (28) while conversely among people of all ages admitted with AKI
329 in Malawi 19.6% had gastroenteritis (29). A large Japanese study using routine data to
330 investigate the seasonality of AKI hospitalisations found that gastroenteritis was the third most
331 common diagnosis code on admission (12.8%) (14). Because our focus lies on estimating the
332 population-level contribution of norovirus to AKI hospitalisations, these studies are limited in
333 serving as comparators for our study's estimates. However, a self-controlled case series
334 analysis of patients taking anti-hypertensive drugs found that individuals were 43 times more
335 likely to experience an AKI admission following an episode of gastroenteritis than pre-infection,
336 substantially greater than with pneumonia or urinary tract infections. Given this high risk
337 observed in vulnerable individuals, our findings of a high proportion of norovirus linked AKI
338 hospitalisations among older adults are consistent in this context.

339

340 *Explanations and implications*

341

342 Our observation model suggests that norovirus plays an important role in the seasonality
343 observed in community acquired AKI hospitalisations. However, given the multifactorial nature
344 of AKI, other mechanisms not captured by the model are likely to play a role and may contribute
345 to the misalignment in the timing of norovirus peaks and that of AKI hospitalisations. Both other
346 infections and important AKI-associated comorbidities such as heart failure and myocardial
347 infarction also demonstrate seasonal associations (30–32). Detection of AKI may also vary
348 seasonally, which may be a plausible explanation of the consistent timing of the peaks of AKI
349 admissions.

350

351 Our estimate that 25% of norovirus infections are linked to an AKI hospitalisation in people over
352 65 shows the very substantial burden this infection places on health services. Norovirus
353 outbreak control efforts significantly contribute to winter pressures, and prolonged admissions
354 due to AKI further increases the burden on hospitals. The norovirus vaccine, which will be
355 available shortly, offers a potentially important mechanism through which to reduce the burden
356 of AKI hospitalisations, particularly in those at high risk such as the frail elderly,
357 immunosuppressed and those with chronic kidney disease. The healthcare costs associated
358 with AKI should also be an important consideration in the cost effectiveness analysis of a
359 norovirus vaccine. Previous estimates of the economic cost of norovirus on the NHS was nearly
360 £300 million annually, including foregone admissions (6). When considering the cost of
361 norovirus linked AKI hospitalisations, the economic burden of norovirus on the healthcare
362 system would be doubled.

363

364 *Strengths and weaknesses*

365

366 We have used several sources of robust large-scale national data to provide the first
367 demonstration of the comparable seasonal patterns between AKI hospitalisations and norovirus
368 incidence and modelled an estimate of the public health burden of this association. This
369 estimate is important because of the challenges in having real world estimates, due to limited
370 virological confirmation of norovirus and under ascertainment in hospital coding.

371

372 The accuracy of estimating norovirus-associated AKI hospitalisations relies on the reliability of
373 the norovirus model capturing dynamics appropriately. We estimated that the duration of
374 immunity was 9 years, which is comparable to previous estimates (18,19). We estimated the
375 probability of infection to be 0.19 per contact between under 5s, and 0.04 per contact with over
376 5s, both within the bounds of previous estimates (19,33). The rate of hospitalisation from
377 norovirus in the over 65s was higher than previous estimates (34). We estimated that 6.8%
378 (95% CrI: 3.3-11.0%) of gastroenteritis admissions in the elderly were attributable to norovirus,
379 while previous estimates were <1% in the elderly. Differences can be explained by differing
380 periods of observation, outcomes, and statistical approaches. We estimated a surveillance
381 reporting ratio higher than that reported in the IID2 study. However we estimated a ratio of
382 samples in 65+ year olds, where one would expect more to be reported to surveillance,
383 compared to the all age group estimate reported in IID2.

384
385 While the fitted parameters align with previously reported estimates and our model shows
386 strong quantitative evidence of fitting the data, several key assumptions underpin the approach.
387 Firstly, we use a seasonal forcing term, which assumes that norovirus seasonality is driven by
388 increased contacts during specific times of the year and that seasonal peaks occur consistently
389 each year. Although this term was estimated during the fitting process and includes uncertainty,
390 it oversimplifies the more nuanced mechanisms that may cause year-to-year variations in peak
391 timing, as observed in surveillance data. Despite many factors influencing norovirus and AKI
392 seasonality, the seasonal forcing term is an effective approach to summarising these patterns
393 without adding unnecessary complexity or minimising overfitting. Previous studies have
394 identified temperature as a driver of norovirus seasonality, suggesting it could be incorporated in
395 future model iterations to better account for year-to-year variations.

396
397 The limited data on norovirus incidence over time makes modelling community transmission
398 essential for estimating its incidence. To enhance our approach and better capture transmission
399 dynamics, we fit the model using multiple data sources, although these sources often involve
400 non-specific diagnoses. With the hospitalisation data, we assume a proportion is attributable to
401 norovirus, acknowledging that our observation model may oversimplify accounting for other
402 causes of non-specific outcomes like AKI and gastroenteritis, as well as their seasonality.
403 Additionally, the degree to which our estimates of norovirus-linked AKI hospitalisations are truly
404 causal remains uncertain. While AKI aetiology is complex and multifactorial, our observation
405 model assumes a plausible causal mechanism through volume depletion.

406
407 Although our model shows a strong fit with the data both qualitatively and quantitatively, it does
408 not account for strain-specific dynamics. This limitation could affect factors like the duration of
409 immunity, the likelihood of symptomatic infection upon reinfection, and the probability of
410 infection. However, the study period from 2013 to 2019 was marked by stability in strain
411 dynamics, with the GII.4 Sydney strain being the dominant capsid type in England and globally
412 (35). Strain dynamics may become more significant in future model iterations, especially when
413 considering vaccination scenarios. This is also highlighted by the newly increased circulation of
414 GII.17 during the 2023-2024 season, without observed changes in the epidemiological burden
415 (36).

416

417 *Conclusion*

418

419 We demonstrate that norovirus incidence in the community plays an important role in driving
420 AKI hospitalisations and presents a large economic burden on the English healthcare system.

421 AKI hospitalisation should be an important consideration when evaluating future norovirus
422 vaccines.

423

424 Acknowledgements

425

426 We would like to acknowledge the funding support from the National Institute for Health and
427 Care Research (NIHR) Health Protection Research Unit (HPRU) in Modelling and Health
428 Economics, a partnership between UK Health Security Agency (UKHSA), Imperial College
429 London, and London School of Hygiene and Tropical Medicine. The views expressed in the
430 study are those of the authors and not necessarily those of the National Health Service, NIHR,
431 UK Department of Health or UKHSA. The views and opinions expressed herein are the authors'
432 own and do not necessarily state or reflect those of Robert Koch Institute (RKI). We would also
433 like to acknowledge Lesley Larkin, Kathleen O'Reilly, Juan Vesga, Dorothea Nitsch, and
434 Viyaasan Mahalingasivam for their invaluable advice.

435 References

436

- 437 1. Harris JP, Iturriza-Gomara M, O'Brien SJ. Re-assessing the total burden of norovirus
438 circulating in the United Kingdom population. *Vaccine*. 2017 Feb;35(6):853–5.
- 439 2. De Graaf M, Van Beek J, Koopmans MPG. Human norovirus transmission and evolution in a
440 changing world. *Nat Rev Microbiol*. 2016 Jul;14(7):421–33.
- 441 3. Koopmans M. Noroviruses in healthcare settings: a challenging problem. *J Hosp Infect*. 2009
442 Dec;73(4):331–7.
- 443 4. Glass RI, Parashar UD, Estes MK. Norovirus Gastroenteritis. *N Engl J Med*. 2009 Oct
444 29;361(18):1776–85.
- 445 5. Hall AJ. Noroviruses: The Perfect Human Pathogens? *J Infect Dis*. 2012 Jun
446 1;205(11):1622–4.
- 447 6. Sandmann FG, Shallcross L, Adams N, Allen DJ, Coen PG, Jeanes A, et al. Estimating the
448 Hospital Burden of Norovirus-Associated Gastroenteritis in England and Its Opportunity
449 Costs for Nonadmitted Patients. *Clin Infect Dis*. 2018 Aug 16;67(5):693–700.
- 450 7. Lopman BA, Reacher MH, Vipond IB, Hill D, Perry C, Halladay T, et al. Epidemiology and
451 Cost of Nosocomial Gastroenteritis, Avon, England, 2002–2003. *Emerg Infect Dis*. 2004
452 Oct;10(10):1827–34.
- 453 8. Rohayem J. Norovirus seasonality and the potential impact of climate change. *Clin Microbiol*
454 *Infect*. 2009 Jun;15(6):524–7.
- 455 9. Lopman B, Armstrong B, Atchison C, Gray JJ. Host, Weather and Virological Factors Drive
456 Norovirus Epidemiology: Time-Series Analysis of Laboratory Surveillance Data in England
457 and Wales. Pybus OG, editor. *PLoS ONE*. 2009 Aug 24;4(8):e6671.
- 458 10. Rewa O, Bagshaw SM. Acute kidney injury—epidemiology, outcomes and economics.
459 *Nat Rev Nephrol*. 2014 Apr;10(4):193–207.
- 460 11. Wang HE, Muntner P, Chertow GM, Warnock DG. Acute Kidney Injury and Mortality in
461 Hospitalized Patients. *Am J Nephrol*. 2012;35(4):349–55.
- 462 12. Kerr M, Bedford M, Matthews B, O'Donoghue D. The economic impact of acute kidney
463 injury in England. *Nephrol Dial Transplant*. 2014 Jul 1;29(7):1362–8.
- 464 13. Bolt H, Suffel A, Matthewman J, Sandmann F, Tomlinson L, Eggo R. Seasonality of
465 acute kidney injury phenotypes in England: an unsupervised machine learning classification
466 study of electronic health records. *BMC Nephrol*. 2023 Aug 9;24(1):234.
- 467 14. Iwagami M, Moriya H, Doi K, Yasunaga H, Isshiki R, Sato I, et al. Seasonality of acute
468 kidney injury incidence and mortality among hospitalized patients. *Nephrol Dial Transplant*.
469 2018 Aug 1;33(8):1354–62.
- 470 15. Phillips D, Young O, Holmes J, Allen LA, Roberts G, Geen J, et al. Seasonal pattern of
471 incidence and outcome of Acute Kidney Injury: A national study of Welsh AKI electronic
472 alerts. *Int J Clin Pract*. 2017;71(9):e13000.
- 473 16. Mansfield KE, Douglas IJ, Nitsch D, Thomas SL, Smeeth L, Tomlinson LA. Acute kidney
474 injury and infections in patients taking antihypertensive drugs: a self-controlled case series
475 analysis. *Clin Epidemiol*. 2018;10:187–202.
- 476 17. Lucero Y, Vidal R, O'Ryan G M. Norovirus vaccines under development. *Vaccine*. 2018
477 Aug;36(36):5435–41.
- 478 18. Gaythorpe KAM, Trotter CL, Conlan AJK. Modelling norovirus transmission and
479 vaccination. *Vaccine*. 2018 Sep;36(37):5565–71.
- 480 19. Simmons K, Gambhir M, Leon J, Lopman B. Duration of Immunity to Norovirus
481 Gastroenteritis. *Emerg Infect Dis*. 2013 Aug;19(8):1260–7.
- 482 20. Steele MK, Remais JV, Gambhir M, Glasser JW, Handel A, Parashar UD, et al.
483 Targeting pediatric versus elderly populations for norovirus vaccines: a model-based analysis
484 of mass vaccination options. *Epidemics*. 2016 Dec;17:42–9.

- 485 21. Mossong J, Hens N, Jit M, Beutels P, Auranen K, Mikolajczyk R, et al. Social Contacts
486 and Mixing Patterns Relevant to the Spread of Infectious Diseases. Riley S, editor. PLoS
487 Med. 2008 Mar 25;5(3):e74.
- 488 22. Funk S. socialmixr: Social Mixing Matrices for Infectious Disease Modelling.; [Internet].
489 2018. Available from: <https://cran.r-project.org/web/packages/socialmixr/index.html>
- 490 23. Tam CC, Rodrigues LC, Viviani L, Dodds JP, Evans MR, Hunter PR, et al. Longitudinal
491 study of infectious intestinal disease in the UK (IID2 study): incidence in the community and
492 presenting to general practice. Gut. 2012 Jan;61(1):69–77.
- 493 24. Department of Health and Social Care. NHS reference costs [Internet]. Available from:
494 <https://www.gov.uk/government/collections/nhs-reference-costs>
- 495 25. NHS England and NHS Improvement. National Cost Collection for the NHS [Internet].
496 Available from: <https://www.england.nhs.uk/costing-in-the-nhs/national-cost-collection/>
- 497 26. Roberts RR. Distribution of Variable vs Fixed Costs of Hospital Care. JAMA. 1999 Feb
498 17;281(7):644.
- 499 27. Jones KC, Burns A. Unit Costs of Health and Social Care 2021 [Internet]. Personal
500 Social Services Research Unit; 2021 [cited 2024 Aug 29]. Available from:
501 <https://kar.kent.ac.uk/id/eprint/92342>
- 502 28. Imani PD, Odiit A, Hingorani SR, Weiss NS, Eddy AA. Acute kidney injury and its
503 association with in-hospital mortality among children with acute infections. Pediatr Nephrol.
504 2013 Nov;28(11):2199–206.
- 505 29. Evans R, Hemmilä U, Craik A, Mtekateka M, Hamilton F, Kawale Z, et al.
506 TO021PREVALENCE, AETIOLOGY AND OUTCOME FROM COMMUNITY ACQUIRED
507 ACUTE KIDNEY INJURY (AKI) IN SUB-SAHARA AFRICA: RESULTS OF THE MALAWI AKI
508 STUDY (MAKIST). Nephrol Dial Transplant. 2016 May;31(suppl_1):i70–i70.
- 509 30. Stewart S, McIntyre K, Capewell S, McMurray JJV. Heart failure in a cold climate. J Am
510 Coll Cardiol. 2002 Mar;39(5):760–6.
- 511 31. Yamamoto Y, Shirakabe A, Hata N, Kobayashi N, Shinada T, Tomita K, et al. Seasonal
512 variation in patients with acute heart failure: prognostic impact of admission in the summer.
513 Heart Vessels. 2015 Mar;30(2):193–203.
- 514 32. Arntz H. Diurnal, weekly and seasonal variation of sudden death. Population-based
515 analysis of 24061 consecutive cases. Eur Heart J. 2000 Feb 15;21(4):315–20.
- 516 33. O'Reilly KM, Sandman F, Allen D, Jarvis CI, Gimma A, Douglas A, et al. Predicted
517 norovirus resurgence in 2021–2022 due to the relaxation of nonpharmaceutical interventions
518 associated with COVID-19 restrictions in England: a mathematical modeling study. BMC
519 Med. 2021 Dec;19(1):299.
- 520 34. Verstraeten T, Jiang B, Weil JG, Lin JH. Modelling Estimates of Norovirus Disease in
521 Patients with Chronic Medical Conditions. PLOS ONE. 2016 Jul 20;11(7):e0158822.
- 522 35. Public Health England. PHE National norovirus and rotavirus Report 09 April 2020 –
523 Week 15 report (data to week 13) [Internet]. Available from:
524 [https://www.gov.uk/government/statistics/norovirus-and-rotavirus-summary-of-surveillance-
525 2019-to-2020](https://www.gov.uk/government/statistics/norovirus-and-rotavirus-summary-of-surveillance-2019-to-2020)
- 526 36. Chhabra P, Wong S, Niendorf S, Lederer I, Vennema H, Faber M, et al. Increased
527 circulation of GII.17 noroviruses, six European countries and the United States, 2023 to
528 2024. Eurosurveillance [Internet]. 2024 Sep 26 [cited 2024 Sep 30];29(39). Available from:
529 <https://www.eurosurveillance.org/content/10.2807/1560-7917.ES.2024.29.39.2400625>