

1 **The mediating role of social network between social trust and life satisfaction of**  
2 **older people: A structural equation model analysis approach**

3

4 **Xinyu He<sup>1\*</sup>, Zhaoyong Yang<sup>2\*</sup>, Haimei Li<sup>3</sup>, Shihe Li<sup>4</sup> and Chuanxin Xu<sup>5</sup>**

5 **Correspondence:**

6 Xinyu He; Haimei Li

7 hexinyu89071@163.com; [lihaimei2012@cdut.edu.cn](mailto:lihaimei2012@cdut.edu.cn)

8 <sup>1</sup>Humanities and Law School, Chengdu University of Technology, China

9 <sup>2</sup>Department of Public Health Management and Hospital, Chengdu University of  
10 Technology, China

11 Full list of author information is available at the end of the article

12

13 **Abstract**

14 **Background** Although studies have demonstrated the relationship between the social  
15 trust and life satisfaction of older people, but existing studies have rarely considered  
16 the fewer studies have investigated social network as a mediating variable between  
17 social trust and life satisfaction.

18 **Methods** In this study, 297 participants (age:  $\geq 60$  years) in Chengdu, Sichuan  
19 Province, China, completed a questionnaire of social trust, social network, and life  
20 satisfaction. Structural equation model analysis and bootstrap methods were used to  
21 prove the mediating effect of social network.

22 **Results** Social trust was positively related to life satisfaction ( $B = 0.410$ ;  $p < 0.01$ ) and

**NOTE: This preprint reports new research that has not been certified by peer review and should not be used to guide clinical practice.**

1 social network ( $B = 0.472$ ;  $p < 0.01$ ), social network was positively related to life  
2 satisfaction ( $B = 0.433$ ;  $p < 0.01$ ). and social network played an intermediary role in the  
3 relationship between social trust and life satisfaction (indirect effects = 0.321,  
4 bootstrap 95% CI = [0.051, 0.968]).

5 **Conclusion** These findings suggest the importance of social trust for life satisfaction,  
6 with social network acting as a positive mediator, particularly in China. In conclusion,  
7 this study exploring the mediating effect of social network provides knowledge  
8 essential for ensuring a happy old age. The study results can help advance  
9 psychological research on life satisfaction of older people and suggest new  
10 intervention strategies in this field. We encourage increasing the expansion of social  
11 networks through various means to enhance the impact of social trust on life  
12 satisfaction of older people.

13 **Keywords:** Older people, Social network, Social trust, Life satisfaction, Mediating  
14 effect

## 16 **Background**

17 According to China's seventh census, the number of people aged  $\geq 60$  years has  
18 reached 264 million, accounting for 18.3% of the total population in 2020.<sup>1</sup> By 2050,  
19 Chinese older people are estimated to account for one-third of the country's  
20 population [1]. With the increase in the aging population, the question is whether they  
21 can have a good quality of life and whether a more active social interaction (measured

---

<sup>1</sup> Besides the definition stated above, an alternative definition of an ageing society is one with the population above the age of 65 accounted for 7% of the total population. This particular portion of population in China reached 13.5% in 2020 (The Seventh Census, National Bureau of Statistics of China)

1 as social network) can translate into higher life satisfaction levels [2, 3]. Life  
2 satisfaction, a useful concept in the study of social psychology well-being which  
3 reflects the cognitive aspect of subjective well-being, is associated with physical and  
4 mental health of older adults [4], which refers to one's self-evaluation of his/her life  
5 [5, 6]. For example, a self-evaluation in the past, present, and future [7-9].  
6 Consequently, life satisfaction of the elderly people has recently received  
7 considerable attention [10]. Understanding factors that impact life satisfaction not  
8 only can help understanding happiness and quality of life but also have important  
9 implications, as higher life satisfaction is related to better physical and mental health  
10 outcomes, such as a reduced risk of disease, depression and loneliness [11-13].

11 To study the factors of life satisfaction, several theoretical models have been  
12 developed, including a bottom-up, top-down and comprehensive accounts, which  
13 means that life satisfaction is made up of demographics (e. g., health, income, job),  
14 satisfaction with aspects of life (e. g., satisfaction with family or friendship, social  
15 life), and personality traits [14, 15]. Nonetheless, life satisfaction must be understood  
16 in the context of each culture [15]. In the collectivist culture, such as in China, people  
17 lay more emphasis on social relationships and connectedness with others [16], and  
18 social relationships are related to life satisfaction of the older people [17, 18].  
19 However, with age and retirement, people more likely lose original social roles, and  
20 according to social disengagement theory, older people rarely interact with society  
21 and are willing to withdraw from their social system [19, 20]. To take new social roles  
22 and maintain positive social interactions, building new social networks and

1 relationships are important to older people [21]. Knowing the concept of social  
2 capital, and more broadly, the significance of social relationships as a cornerstone of a  
3 functional society is crucial, because they have significant positive effects on life  
4 satisfaction [22, 23].

5 Social capital, which can be viewed from an individual's perspective and  
6 considered as crucial social resource embedded in a network of community social  
7 relations, through which people share memberships, values, and social norms [24].  
8 We considered individual-level social capital as a multi-dimensional concept, that can  
9 be measured on the basis of structural and cognitive dimensions [25]. Structural social  
10 capital, mainly refers to the objective social structure, such as social network and  
11 social participation. While cognitive social capital, refers to trust, values, beliefs,  
12 reciprocity. and other psychological processes [26, 27]. Some studies have proven that  
13 a close relationship exists between structural, cognitive social capital, and life  
14 satisfaction among older people [28, 29]. For example, according to a survey, social  
15 network has positive effects on life satisfaction [30]. More specifically, older people  
16 connect with each other through social networking, social trust and establishment of  
17 social relationships, which is helpful for improving life satisfaction [31, 32].

18 Although these associations are well known, few studies have explored the  
19 relationship between structural social capital and cognitive social capital, and, in  
20 particular, the path from social trust to life satisfaction through social network in the  
21 elderly people has not been fully explored. To fill the research gap, this study  
22 explored the mediating role of social network between the social trust and life

1 satisfaction of older people.

2

### 3 **Social trust and life satisfaction**

4 Social trust is a major indicator of cognitive social capital, which has been  
5 considered a key determinant of happiness [33-37]. Studies have recognized two types  
6 of social trust: interpersonal trust and institutional trust [38]. Interpersonal trust refers  
7 to individual's psychological state of believing that most people can be trusted,  
8 including positive expectations about others' behaviors[39, 40]. Trust facilitates a safe  
9 and stable social environment in relationships by reducing feelings of worry or  
10 anxiety [41]. Using multiple linear regression and a mixed-design analysis of  
11 variance, a survey tested a sample of community dwelling participants (age: 55-89  
12 years) in the New Zealand. The results showed that the neighborhood relationship was  
13 associated with older people's subjective well-being [42]. The more you trust your  
14 neighbors, the higher your life satisfaction will be. Using a sample of Chinese older  
15 people from the rural area, a study research showed that interpersonal trust and family  
16 support were significantly positively associated with life satisfaction [28].

17 Institutional trust reflects people's attitudes and satisfaction toward state  
18 institutions (e.g., government institutions, educational institutions, medical institutions  
19 and judicial branches). Compared with young people, the trustworthiness of public  
20 institutions affects elderly people's evaluation of society and thus their well-being  
21 [43]. On measuring the levels of trust of participants in eight institutions, a researcher  
22 found that institutional trust was positively associated with life satisfaction [17],

1 another researcher investigated the predictive effect of generalized trust on health,  
2 happiness, and life satisfaction among older adults who lived in six non-Western  
3 countries, they reported that generalized trust can predict greater health and life  
4 satisfaction [44]. Exploring cross-sectional data of 5000 older people ( $\geq 65$  years), the  
5 results of a study showed that community trust can mitigate inequalities in well-being  
6 and maintain good mentality [45]. Older people, with higher levels of institutional  
7 trust tend to exhibit better adherence and acceptance of policy measures and better  
8 satisfaction with their life [46]. According to the above literature, we propose the  
9 following hypothesis.

10

11 **Hypothesis 1** Social trust is positively related to life satisfaction in older people.

12 **Social network and life satisfaction**

13 Social network is a crucial indicator of structural social capital, which is-“the  
14 array of social connections that give access to instrumental and emotional supports”  
15 [47]. The results of a study exhibited that social network size and network contact  
16 frequency could allow older people access beneficial resources and support, thereby  
17 helping them sustain higher life satisfaction [48]. Meanwhile, formal and informal  
18 social networks are the base from which social capital is generated to influence  
19 people’s behaviors and values, including well-being [49, 50]. On the source of  
20 happiness, the researchers found that a strong informal social network was associated  
21 with individual’s happiness, including how many times they see friends and relatives  
22 [12, 51]. This is because, older people who had a wide range of social relationships,

1 were the happiest [52]. But another study indicated that the number of close friends  
2 had the weakest relationship with life satisfaction among older people [6]. Moreover,  
3 older people participating in social activities can expand their formal social network,  
4 and thus improve their life satisfaction [53-55]. The findings of researcher suggested  
5 that group participation through formal social networks is linked to life satisfaction in  
6 later life [56]. Similarly, another researcher analyzed the association between social  
7 network and quality of life in older Chilean people and found that participating in  
8 formal social support networks is associated with high quality of life [57].

9 Chinese cultural values may also be a crucial player in explaining how social  
10 network can affect life satisfaction of older people. East Asian cultures tend to be  
11 more collectivist and communal [58, 59]. Collectivism, a unique cultural context in  
12 Chinese society, values connections with others and social relationships. In this  
13 context, social relationships, such as family and friend-focused network types, highly  
14 affect Chinese people's life satisfaction, especially that of older people, who are  
15 deeply influenced by the Chinese traditional culture [60, 61].

16 According to the socioemotional selectivity theory [62], those who grow older  
17 tend to choose social networks that allow them to form close social relationships.  
18 Thus, compared with young people, older people are more likely to choose social  
19 networks on which they can trust and that provide opportunities for companionship.  
20 On the one hand, older people are embedded in "family-centered" and "friend-  
21 centered" social networks from where they receive social support [63]. The more  
22 frequent the face-to-face contact with other network members, the more social support

1 people can obtain [48]. On the other hand, participating in formal social networks and  
2 meaningful community activities can bring a sense of belonging and self-identity, as  
3 well as provide opportunities for social engagement and sharing leisure and  
4 entertainment activities. This, thus, enhances life satisfaction among older people  
5 [64]. The following hypothesis can be established.

6

7 **Hypothesis 2** Social network is positively related to life satisfaction in older people.

8

### 9 **Social trust and social network**

10 Social trust is linked to social network. Using data from the first Norwegian  
11 survey, the study demonstrated that in non-kin relationships, social networks were  
12 associated with higher levels of generalized trust [65]. Another related feature of  
13 networks and trust relationships is possibly the resources accessible to individuals  
14 through their interactions [66, 67]. Studies have found that the higher the frequency of  
15 contact of the elderly people with the outside world, the higher is the number of  
16 resources they can access. Individual's resources (family relationship, and network  
17 resources) and social trust are positively correlated [68-69, 30]. A research's findings  
18 showed that if the level of social trust is higher, an individual would more likely  
19 approach the social network actively, thereby gaining more material and emotional  
20 support [70]. According to the above literature, we posit the following hypothesis.

21

22 **Hypothesis 3** Social trust is positively related to social network in older people.



1

2 Mediation effect of social network on the relations between social trust and life  
3 satisfaction

4 The social capital theory can explain how social network can mediate the  
5 relationship between social trust and life satisfaction. Social capital can be considered  
6 to stem from a social network, which provides resources such as social support, trust,  
7 and information. This network, different from the social cohesion concept of social  
8 capital, can be evaluated at the individual or collective level [71]. Broadly speaking,  
9 approaches used for studying social capital suggest that social capital can be measured  
10 by the level of collective or individual resources [8]. Some researches focused on the  
11 study of social capital as a level of collective resources, while Lin and colleagues  
12 mainly focused on the impact of social capital as a level individual resource [72, 73].  
13 Considering that the goal of the present study is to explore the mediating effect of the  
14 social network on the relationship between social trust and life satisfaction of older  
15 people, we applied Lin's definition of social capital, that is, the sum of individual-  
16 level resources [49] (e.g., social support and, information). Also, social capital is the  
17 social network among individuals that is based on trust [70]. It refers to the ability of  
18 individuals to access resources by being a member of a particular social network, that  
19 is, to extract value from social relationships that can be mobilized. In other words,  
20 social capital is a resource embedded in a social network [74]. The influence of  
21 powerful and ties in a network is related to social capital. These social networks and  
22 ties can be of numerous types like "functional support, emotional support, a sense of

1 belonging, or shared values [72, 75]. People communicate and connect with each  
2 other through social networking and establishing social relationships which can  
3 improve life satisfaction [59, 60]. It should be noted that social network is based on  
4 social trust, a higher level of life satisfaction is reported by people who believed and  
5 trusted other people for social supports in need of help [76]. In this sense, social trust  
6 may affect life satisfaction through social networks.

7 As people age, they experience a decline in cognitive and physical abilities, as  
8 well as a decrease in social contact [77, 78]. In addition, their dependency on others  
9 increase [79], and they may be more exposed to social isolation and thus are likely to  
10 be lonely and depressed [80, 81]. Therefore, they require additional social supports,  
11 and social network is the carrier of gaining that social support, more stable  
12 instrumental and affective supports can be gained through social networks [82]. Social  
13 networks are established through human interactions or communications (e.g., social  
14 participation) to realize the exchange of information (e.g., health information). They  
15 provide immediate emotional benefits to older people and enhance their sense of  
16 social support [83], thereby shaping their identity and self-worth [84]. Trust facilitates  
17 the establishment of social networks [70], older people have different relational  
18 networks, including family, relatives, friends, and a broader community. All of these  
19 networks are important for older people, because they provide opportunities for  
20 maintaining good interpersonal relationships and offer a sense of belonging, and  
21 feeling of being needed, and are conducive to improving their life satisfaction [85-87].  
22 Notably, all good relationships are built on trust [88, 89]. More specifically, social

1 capital of older people, which is based on social trust, and the expansion of social  
2 networks to accumulate social resources and social support, thus enhancing older  
3 people's life satisfaction. Therefore, we hypothesize the following:

4

5 **Hypothesis 4** Social network plays a mediating role in the relationship between social  
6 trust and life satisfaction in older people.

7

## 8 **Methods**

### 9 **Data**

10 This study was conducted between December 20, 2016, and January 25, 2017 in five  
11 districts in Chengdu, namely: Jinjiang, Wuhou, Qingyang, Chenghua, and Jinniu. The  
12 study included people from 15 communities, as participants (age:  $\geq 60$  years). The  
13 name of the community was obtained from the official website of the Chengdu  
14 government, and the communities in each administrative region were numbered in an  
15 alphabetical order, The communities numbered 01, 11, and 21 in each administrative  
16 region were selected. Then a random sample of 20 people in each community and 60  
17 people in each administrative region were surveyed. In total, 300 people in five  
18 administrative regions were selected for the questionnaire survey, and 297 valid  
19 questionnaires were collected. Finally, 297 Chinese people with help and explanation  
20 as required from professional researchers, completed the survey that formed the basis  
21 of this study. The survey included questions on socio-demographic information, in  
22 addition to the variables social trust, social network, and life satisfaction. This survey

1 was completely anonymous and approved by the Ethics Committee of Research  
2 Institute of Social Development, Southwestern University of Finance and Economics.

3

#### 4 **Measures**

##### 5 **Dependent variable: life satisfaction**

6 Life satisfaction was measured following an approach to that of Cui [90], who  
7 developed 20 items based on Diener's concept of life evaluation (past, present, and  
8 future) to measure the life satisfaction of older people. Six questions were used to  
9 measure past life satisfaction, for example, "There were few regrets in my life";  
10 "Compared with my peers, I had done a lot of stupid things"; "Looking back on my  
11 life, I had done almost nothing right"; and "My life was very hard and lonely, I do  
12 not want to think about it". Eight questions were used to measure present life  
13 satisfaction, for example, "Recently, I feel very happy in my life"; "I am happy with  
14 my lifestyle"; "Every day, life is very boring"; "Recently, I am prone to get angry";  
15 "Recently, there are more sad things than happy things". Six questions were used to  
16 measure future life satisfaction, such as "I am full of hope for the future"; "In the  
17 future, there will be many interesting and happy things around me"; "In the future,  
18 there is almost nothing that I will be able to do"; and "In the future, I will no longer be  
19 able to do anything of value". Statements were responded to on a 5-point frequency  
20 scale ranging from 1 to 5, with 1 denoting never, 2 denoting seldom, 3 denoting  
21 sometimes, 4 denoting regularly, to 5 denoting very frequently. Responses were  
22 partially reverse-coded, with higher score indicating greater life satisfaction. The

1 reliability factor Cronbach's alpha was 0.821.

2

### 3 **Independent variable: social trust**

4 Social trust was measured following an approach similar to that of Lin [91]. Social  
5 trust includes interpersonal trust and institutional trust. Five questions were used to  
6 measure interpersonal trust, such as, "Do you trust your family, relatives, friends,  
7 neighbors, and strangers?" Nine questions were used to measure institutional trust,  
8 such as, "Do you trust the central government institutions, local government  
9 institutions, national people's congress, educational institutions, medical institutions,  
10 judicial branches, Public Security Bureau, news media organization and neighborhood  
11 committee?" Responses were recorded on a five-point Likert scale, that was divided  
12 into five levels: "completely distrust," "distrust," "neither trust nor distrust," "trust,"  
13 and "completely trust." The scores were then averaged. A higher score indicates  
14 higher social trust. The reliability factor Cronbach's alpha was 0.814.

15

### 16 **Mediating variable: social network**

17 Social network was measured following an approach to that of Lin [91]. Social  
18 network includes informal and formal social networks. The informal social network  
19 was measured on the basis of six questions, for instance, "How many children would  
20 like to give you money or gifts?" "How many relatives or friends would like to give  
21 you money or gifts?" "How many times do you contact your children in a month  
22 (meeting or by phone)?" "How many times do you contact your relatives or friends

1 in a month (meeting or by phone)?” “How many friends or neighbors might be able to  
2 help you in a time of trouble?” and “How many neighbors are willing to treat you to a  
3 meal or do you a small favor (pick up your package, lend you a chair or supplies,  
4 etc.)?” Two questions were used to measure the formal social network, namely, “How  
5 many group activities have you participated in (community meetings, interest  
6 activities, etc.)?” and, “How many times do you meet members of the group in a  
7 month?” The scores were then averaged. A higher score indicates a wider social  
8 network. The reliability factor Cronbach’s alpha was 0.538.

9

10 **Control variables:** gender, age, educational attainment, and marital status. In this  
11 study, we controlled for the following variables: gender, age, educational attainment,  
12 and marital status. We collected data of the demographic variables of gender (0 =  
13 male; 1 = female), educational attainment (0 = no formal education; 1= primary  
14 school; 2 = middle school; 3= high school; 4= vocational school; 5= college  
15 education), and marital status (0= married; 1= separated or divorced; 3= widowed).  
16 Age was a continuous variable.

### 17 **Statistical analysis**

18 SPSS 22.0 and Amos 22.0 were used for statistical analysis. First, we used SPSS 22.0  
19 for descriptive and correlational analyses. Second, we used Amos 22.0 for Structural  
20 equation modeling (SEM) analysis. SEM represents a comprehensive multiple  
21 regression method for explaining the relationship between observed and latent  
22 variables. SEM is a combination of measurement models, including confirmatory

1 factor analysis models and structural models [92]. Moreover, Amos 22.0 was used to  
2 test the fitness of the entire model and the relationship between the variables.  
3 Moreover, to examine the relationship between social trust, social network, and life  
4 satisfaction, a path analysis was performed, including  $\chi^2$  verification, and four fitness  
5 indices, namely TLI, CFI, RMSEA, and SRMR, were used to evaluate the model.  
6 Finally, the bootstrap method was used to confirm the mediating effects of social  
7 networks. The bootstrap confidence interval (CI) was set to 95%, if the CI of the  
8 indirect effect did not include zero, the mediation effect was proved to be significant.

9

## 10 **Results**

### 11 **Descriptive results**

12 Table 1 presents the descriptive statistics of the socio-demographic characteristics.  
13 The respondents' average age was 72.535 years. Among 297 participants, 133  
14 (44.1%) were men and 166 (55.9%) were women. In terms of educational attainment,  
15 106 (35.7%) respondents had completed primary school and below, 111(37.4%), had  
16 middle and high school education and 80 (26.9%) had vocational education or above.  
17 Regarding marital status, 293 respondents were married (98.7%), 3 were separated or  
18 divorced respondents 1.0%, and 1 was widowed 0.3%.

19

20

21

22

1

2

3

4

5 **Table 1** Characteristics of the study sample (n=297)

Variables	N (%)	M (SD)
Gender		
Male	133 (44.1)	
Female	166 (55.9)	
Age		72.535 (52.750)
Educational attainment		
No formal education	18 (6.1)	
Primary school	88 (29.6)	
Middle school	71 (23.9)	
High school	40 (13.5)	
Vocational school	57 (19.2)	
College education	23 (7.7)	
Marital status		
Married	293 (98.7)	
Separated or divorced	3 (1.0)	
Widowed	1 (0.3)	

6

7 **Correlation among social trust, social network, and life satisfaction**

8 The results of correlation analysis between the confirmed variables are shown in



1 Table 2. The results were statistically significant ( $p < 0.01$ ). First, social trust was  
2 significantly positively correlated with social network ( $r = 0.173$ ). Second, social trust  
3 was significantly positively correlated with life satisfaction ( $r = 0.285$ ). Third, social  
4 network was significantly positively correlated with life satisfaction ( $r = 0.281$ ).

5

6 **Table 2** Correlations between social trust, social network, and life satisfaction of  
7 older people.

Variables	Social trust	Social network	Life satisfaction
Social trust	1		
Social network	0.173***	1	
Life satisfaction	0.285***	0.281*	1

8 \*  $p < 0.05$ , \*\* $p < 0.01$ , \*\*\* $p < 0.001$ .

9

## 10 **Descriptive statistics of major variables, and reliability and validity tests**

11 Major variables were life satisfaction, social trust, and social network. All variables  
12 were composed of latent variables. Before the SEM analysis, the standard error, Z  
13 value,  $p$  value, reliability, and validity of each variable were examined. All results of  
14 the regression analyses were statistically significant ( $p < 0.01$ ). The CR (composite  
15 reliability) value is a combination of all measured variables and indicates dimensional  
16 reliability of the dimensional metrics. The higher the CR value, the higher the internal  
17 reliability. A combined reliability of 0.7 was the threshold for acceptable reliability  
18 [93] Average variance extraction (AVE) is the average ratio of the explanatory power  
19 of the latent variable to that of the measured variable. A higher AVE value represents

1 higher convergence validity of dimensions. The AVE value should be > 0.5, and  
 2 0.36–0.5 was the threshold for acceptable validity [94]. According to Table 3, a CR  
 3 value of > 0.7, and an AVE value of > 0.48 were observed. The CR and AVE values  
 4 were within the acceptable numerical range.

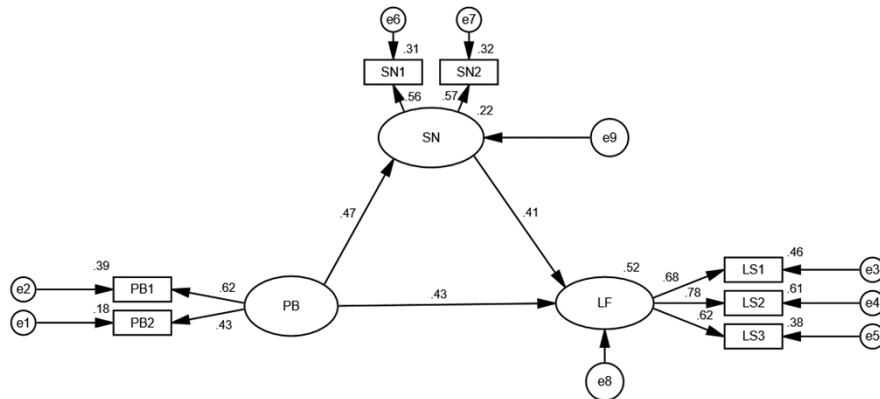
5

6 **Table 3** Descriptive statistics of key variables, reliability and validity test of  
 7 measurement items.

Variables	Item	SE	Std	P	$\beta$	CR	AVE
Social trust	Interpersonal trust	0.026	0.453	0.000***	0.222	0.811	0.486
	Institutional trust	0.026	0.454	0.005**	0.151		
Social network	Formal social network	0.230	5.105	0.000***	0.207	0.791	0.486
	Informal social network	0.238	4.086	0.002**	0.174		
Life satisfaction	Past life satisfaction	0.028	0.474			0.938	0.835
	Present life satisfaction	0.021	0.358				
	Future life satisfaction	0.030	0.511				

1 \*  $p < 0.05$ , \*\* $p < 0.01$ , \*\*\* $p < 0.001$ .

2



3

4 **Fig. 1** Research model. PB= social trust, SN= social network, LF= life satisfaction.

5

### 6 **Confirmatory factor analysis model results**

#### 7 **The fitness of the model**

8 Table 4 shows the results of the test of fitness of the model for the three latent

9 variables, and the  $\chi^2$  value was 24.721 ( $df = 17$ ;  $p = 0.000$ ). TLI, CFI, and SRMR

10 values were used to evaluate fitness. TLI value of = 0.922, and CFI value of = 0.977,

11 that is, both values  $\geq 0.90$ , showed a suitable fit. RMSEA value = 0.065, and RMR

12 value = 0.0375, which were considered acceptable.

13

14 **Table 4** The fitness of the model

$\chi^2$	df	TLI	CFI	SRMR
24.721	17	0.922	0.977	0.0375

1

2 **Structural model results**

3 **Research model regression and path analysis results**

4 According to Table 5 and Figure. 1, the regression and all path coefficients were  
 5 statistically significant ( $p < 0.01$ ). Specifically, social trust was positively related to  
 6 social network. The stronger the social trust, the more beneficial it is to expand the  
 7 social network ( $B = 0.472$ ;  $p < 0.01$ ). In addition, social network was positively related  
 8 to life satisfaction. The more extensive the social network, the higher is the life  
 9 satisfaction ( $B = 0.433$ ;  $p < 0.01$ ). Moreover, social trust positively affected life  
 10 satisfaction. The stronger is the social trust, the higher is the life satisfaction ( $B$   
 11  $= 0.410$ ;  $p < 0.01$ ).

12

13 **Table 5** Research model path analysis.

Parameter	Estimate	SE	CR	P	Std estimate
PB→LF	0.709	0.255	2.785	0.005**	0.427
SN→LF	0.047	0.017	2.824	0.005**	0.411
PB →SN	6.889	2.331	2.956	0.003**	0.470

14 Abbreviations: PB=social trust, SN=social network, LF=life satisfaction.

15

16 **Mediating effect**

17 Bootstrapping, was performed to verify the mediating effect. The mediation analysis

1 found that the relationship between social trust and life satisfaction was partially  
 2 mediated by social network in older people (Table 6). The total influence of positive  
 3 social trust on life satisfaction was 1.030. The direct effect of social trust on life  
 4 satisfaction remained significant in older people (the direct effect = 0.709), and the  
 5 indirect effects of social trust on life satisfaction through social network were also  
 6 significant (indirect effects = 0.321; bootstrap 95% CI = [0.051, 0.968]).

7

8 **Table 6** Summary of mediating results.

PB → SN → LF		Bootstrapping bias corrected 95% CI			
Variable	Effect	Lower	Upper	SE	P
relationship					
Direct effect	0.709	0.115	1.561	0.325	0.000***
Indirect effect	0.321	0.051	0.968	0.212	
Total effect	1.030	0.612	1.766	0.286	0.000***

9

## 10 Discussion

### 11 Social trust and life satisfaction

12 Our study used self-evaluation to assess life satisfaction among older people. The  
 13 results suggest that older people with stronger social trust have higher life satisfaction

1 and more extensive social network. Yet our findings are consistent with previous  
2 observations, which showed that high levels of interpersonal trust and institutional  
3 trust not only reflect good-quality social relationships, but also promote meaning in  
4 life. These in turn affect one's subjective life satisfaction evaluation [95, 88]. A  
5 researcher used Statistics Canada's 2003 General Social Survey data, which were  
6 obtained by interviewing 24,951 people aged 15-80 years. The results revealed that  
7 both institutional trust and interpersonal trust are related to life satisfaction [12].□

8

### 9 **Social network and life satisfaction**

10 As hypothesized, we also found that social network was positively related to life  
11 satisfaction in older people. This is similar to the results of previous studies, which  
12 showed that social resources embedded in social networks play a crucial role in the  
13 life of older people living in rural areas of China [96, 97]. In China, social interaction  
14 has developed over thousands of years, starting with an agricultural civilization rooted  
15 in the small-scale, local peasant economy. It emphasizes human relationships among  
16 family members, relatives, and neighbors [16]. In particular, after retirement, older  
17 people face a loss of major organizational networks and rely more on individual social  
18 networks [63]. Among U.S. residents aged 65 years and older, friendship-centered  
19 social networks were related to better well-being than family-centered social networks  
20 [52]. The difference is a researcher highlighted the significance importance of family  
21 support and cognitive community social capital in improving the life satisfaction of  
22 Chinese urban older adults [98]. With age, older people become more dependent on

1 social relationships to maintain their well-being, and the trust is the basis and  
2 prerequisite for building these social relationships [99]. Society is networked, and in  
3 China, those well-connected are happier than those who are not [50]. In summary,  
4 good interpersonal relationships led to attainment of life satisfaction [100-102]. This  
5 is, because, social relationships can enhance social identity, thereby providing  
6 instrumental and affective supports for members of social groups who share  
7 resources. This could be explained in the context of the socioemotional selectivity  
8 theory [62], that is, older people are likely to choose social networks with strong  
9 social trust and interactive relationships. They regard the social network as a means to  
10 improve life satisfaction [30]. It is the perception of the quality of social networks  
11 rather than the perception of the quantity of social networks that is relevant to  
12 reporting better well-being [103, 104]. Moreover, in China, older people are expected  
13 to play valuable social roles, and social networks offer opportunities to the elderly  
14 people to realize their self-worth, which are conducive to maintaining good  
15 interpersonal relationships, thus increasing the sense of happiness [17, 31].

16

### 17 **Social trust and social network**

18 We also found that social trust was positively correlated with the social network  
19 in older people. This result is similar to those of previous studies. Social ties and  
20 interactions are strengthened by the accumulation of social trust [73]. Frequent social  
21 interactions are conducive to the expansion of social networks [105]. Good social  
22 relationships are crucial for older people as they constantly require support in the

1 form of positive social interactions. These interactions also act as a means to satisfy  
2 their instrumental and affective needs, such as obtaining help, and the feeling of being  
3 needed and appreciated [106, 82]. A stronger social trust, is more conducive to the  
4 strengthening of social ties and improving social participation [107]. If social  
5 participation of older people is higher, they receive more opportunities to strengthen  
6 their social interactions because they may have more chances to interact face-to-face  
7 with others. All of these interactions could contribute to the development of older  
8 people's social networks [108,109].

9

## 10 **Mediation effect of social network on the relations between social trust and life** 11 **satisfaction**

12 As hypothesized, this study revealed that social network mediates the effect of  
13 social trust on life satisfaction in older people. This finding is in agreement with that  
14 of Kawachi's study [71]. Accordingly, higher social trust is more conducive to the  
15 construction of the social network, and more social support can be gained and  
16 requirements are met in a better way if the social network is broad, which in turn can  
17 increase, life satisfaction of older people. Moreover, this result could be explained by  
18 social capital theory. Although many researchers have defined social capital, this  
19 paper adopts Lin's and Adler and Kwon's definition of social capital: "Social capital  
20 is an aggregation in a specific network composed of mutual understanding and mutual  
21 trust, and through social interaction, resources embedded in a social network are  
22 captured [110, 111]." Different from other capital, social capital exists in social



1 relations that promote the formation of social trust and networks, thus improving the  
2 life satisfaction of the elderly people [112, 113]. Social trust enhances people's  
3 interaction and expands their social network, which is the basis for the premise of  
4 interpersonal communication of elderly people. Regarding why social trust is related  
5 to health, researchers have reached consensus that trust is a key indicator of social ties  
6 and social network [114]. In turn, social network benefits health through obtainment  
7 of social resources and social support, which are closely associated with individuals'  
8 health behaviors and well-being [97, 115]. Webster et al. (2015) predicted that social  
9 trust could affect the health of the elderly people through social networks [116]. In  
10 addition to the mediating roles of social networks in social trust and life satisfaction,  
11 political interest plays mediating role in social trust and well-being in older adults  
12 [117]. Another review of studies with older adults suggested that more recreational  
13 participation and social trust were associated with health in China, and good health  
14 predicts high life satisfaction [118, 119].

15 Additionally, social trust belongs to the category of cognitive social capital. By  
16 contrast, social network belongs to the category of structural social capital [120]. At  
17 the level of structural social capital, a strong link exists between social capital and  
18 happiness. Because structural social capital relies on social interactions, older people  
19 are encouraged to form social networks and, over time, to strengthen social  
20 relationships, which could enhance the sense of belonging and social inclusion, and  
21 thus improve their quality of life [121]. This study has demonstrated that social  
22 network plays a mediating role in the relationship between social trust and life

1 satisfaction. In other words, structural social capital mediates the effect of cognitive  
2 social capital on life satisfaction in older people in China. The relationships between  
3 cognitive capital, structural capital and life satisfaction have been previously  
4 documented [23, 122]. Kim et al (2020) reported that social participation and both  
5 cognitive social capital (feelings of trust) and structural social capital (neighborhood  
6 connections) could predict one's happiness [123]. However, different from the  
7 conclusion of this paper, using a sample of Chinese urban older adults, Sun and Lu  
8 (2020) confirmed that cognitive social capital had a mediation effect on the  
9 association between structural social capital and life satisfaction [95].

10

### 11 **Strengths and limitations**

12 Our study had several strengths. First, to the best of our knowledge, this study is the  
13 first to reveal the mediating effect of social network on the relationship between  
14 social trust and life satisfaction of older people in China. Our findings provide a new  
15 perspective for enhance the life satisfaction of older people. Second, this study used  
16 social capital theory to explain the relationship among social trust, social network, and  
17 life satisfaction. We found that structural social capital mediates the relationship  
18 between cognitive social capital and life satisfaction. Our findings extended the  
19 practical application of social capital theory. The findings proved new empirical  
20 evidence to the social capital theory from the Chinese perspective. This paper sheds  
21 some light on this topic with reference to Chinese older people, thereby enriching the  
22 empirical research on social trust, social network, and life satisfaction. However, the

1 study some limitations. First, the data were cross-sectional, exploring causal  
2 relationships between variables was difficult. Therefore, a future study could collect  
3 long-term data and examine longitudinal changes and causality. Second, data in this  
4 study were limited to the surveyed older people residing in Chengdu, Sichuan  
5 Province. Given the vast size of China, and the unique demographic characteristics of  
6 each region, the differences between rural and urban areas, and between different  
7 provinces need to be investigated.

8

## 9 **Conclusion**

10 This study examined the associations between social trust and life satisfaction and the  
11 mediation effect of social network on these associations among older Chinese people.  
12 Our study findings confirmed all the hypotheses made in the paper. We found that  
13 social trust is the premise and basis for building social network. Social network is a  
14 carrier for older people to interact and communicate with others. Older people with  
15 strong social trust can obtain more instrumental and emotional support to improve  
16 their life satisfaction through different social networks. In conclusion, this study  
17 exploring the mediating effect of social network provides knowledge essential for  
18 ensuring a happy old age. The study results can help advance psychological research  
19 on life satisfaction of older people and suggest new intervention strategies in this  
20 field.

21

## 22 **Abbreviations**

1 PB: Social trust; SN: Social network; LF: life satisfaction.

2

### 3 **Acknowledgments**

4 The authors would like to express their gratitude to all the older people who  
5 participated in this study.

6

### 7 **Author's contributions**

8 HXY conceived and designed the study, collected and analyzed the data, and wrote  
9 the initial draft. LHM and YZY designed the research framework, methodology, data  
10 analysis and writing-review. LSH and XCX helped to obtain funding. LSH were  
11 involved in the research for the study and revised the manuscript. All authors have  
12 read and approved the final manuscript.

13

### 14 **Funding**

15 This research was funded by the Key Project of the National Social Science  
16 Foundation (No.21ASH006), Western Project of the National Social Science  
17 Foundation (No.23XRK004).

### 18 **Availability of data and materials**

19 Data are available from the authors. Any interests, please contact the author of  
20 correspondence.

21

### 22 **Declarations**

1

## 2 **Ethics approval and consent to participate**

3 Ethical approval for this study was obtained from the Humanities and Law School,  
4 Chengdu University of Technology (No.20230116). All older participants received  
5 written informed consent before participating in this study, anonymity was maintained  
6 throughout the study and all data collected was securely stored to protect the privacy  
7 of participants. In addition, all the methods used in our research were implemented in  
8 accordance with the guidelines for Human research of the Helsinki Declaration.

9

## 10 **Consent for publication**

11 Not applicable

12

## 13 **Conflicts of interest**

14 The authors declare no conflict of interest.

15

## 16 **Author details**

17 <sup>1</sup>Humanities and Law School, Chengdu University of Technology, China

18 <sup>2</sup>Department of public health management and hospital, Chengdu University of  
19 Technology, China

20 <sup>3</sup>Humanities and Law School, Chengdu University of Technology, China

21 <sup>4</sup>Humanities and Law School, Chengdu University of Technology, China

22 <sup>5</sup>Humanities and Law School, Chengdu University of Technology, China

1

## 2 **References**

- 3 1. Dong XB, Meng SJ, Chen DB. How does the internet enhance the subjective  
4 well-being of elderly individuals in China? *Front.Psychol.* 2022;13:1-12.  
5 <https://doi.org/10.3389/fpsyg.2022.1036169>.
- 6 2. Ponce MSH, Rosas RPE, Lorca MBF. Social capital, social participation and life  
7 satisfaction among Chilean older adults. *Rev. Saude Publica.* 2014;48:739-749.  
8 <https://doi.org/10.1590/S0034-8910.2014048004759>.
- 9 3. Yao J, Yang LP, Hang XX, Li, YY. Perceived discrimination and life satisfaction  
10 of elderly Chinese people: The chain mediating effects of national identity and  
11 sense of community. *Front. Psychol.* 2018;9:1-8.  
12 <https://doi.org/10.3389/fpsyg.2018.02572>.
- 13 4. Nguyen AW, Chatters LM, Taylor RJ, Mouzon DM. Social support from family  
14 and friends and subjective well-being of older African Americans. *J. Happiness*  
15 *Stud.* 2016;17:959-979. <https://doi.org/10.1007/s10902-015-9626-8>.
- 16 5. Banerjee S, Boro, B. Analysing the role of sleep quality, functional limitation and  
17 depressive symptoms in determining life satisfaction among the older Population  
18 in India: a moderated mediation approach. *BMC Public Health.* 2022; 22:1933.  
19 <https://doi.org/10.1186/s12889-022-14329-9>.
- 20 6. Kang WX. Understanding the associations between the number of close friends  
21 and life satisfaction: Considering age differences. *Front. Psychol.*  
22 2023;14:1105771. <https://doi.org/10.3389/fpsyg.2023.1105771>.

- 1 7. Diener E, Eunkook MS, Lucas RE, Smith HL. Subjective well-being: Three  
2 decades of progress. *Psychol. Bull.* 1999;125:276–302.  
3 <https://doi.org/10.1037//0033-2909.125.2.276>.
- 4 8. Nyqvist F, Forsman AK, Giuntoli G, Cattan M. Social capital as a resource for  
5 mental wellbeing in older people: A systematic review. *Aging Ment. Health*  
6 2013;17:394–410. <https://doi.org/10.1080/13607863.2012.742490>.
- 7 9. Wang SQ, Ying J, Zhang ML, Shi Y, Li Y, Xing ZJ, Li HH, Sun J. Health-related  
8 life satisfaction and its influencing factors: A cross-sectional study in China. *Jpn.*  
9 *J. Nurs. Sci.* 2018;15:285-297. <https://doi.org/10.1111/jjns.12201>.
- 10 10. Jiang S, Li C, Wang Z, Fang X. The mediating effect of neighbor relationship  
11 between community social support and elderly’s subjective well-being in China.  
12 *J. Health Psychol.* 2020;25:780–790. <https://doi.org/10.1177/1359105317733535>.
- 13 11. Dolan P, Peasgood, T, White M. Do we really know what makes us happy? A  
14 review of the economic literature on the factors associated with subjective well-  
15 being. *J. Econ. Psychol.* 2008;29:94-122.  
16 <https://doi.org/10.1016/j.joep.2007.09.001>.
- 17 12. Leung A, Kier C, Fung T, fung L, Sproule R. Searching for happiness: The  
18 importance of social capital. *J. Happiness Stud.* 2011;12:443-462.  
19 <https://doi.org/07/s10902-010-9208-8>.
- 20 13. Ozben S. Social skills, life satisfaction, and loneliness in Turkish university  
21 students. *Soc. Behav Pers.* 2013;41:203–213.  
22 <https://doi.org/10.2224/sbp.2013.41.2.203>.

- 1 14. Lachmann B, Sariyska, Kannen C, Blaszkiewicz BT, Andone L, Eibes M,  
2 Markowetz A, Li M, Kendrick KM, Montag C. Contributing to overall life  
3 satisfaction: Personality traits versus life satisfaction variables revisited—Is  
4 replication impossible? *Behav. Sci.* 2017;8:1-23.  
5 <https://doi.org/10.3390/bs8010001>.
- 6 15. Malvaso A, Kang WX. The relationship between areas of life satisfaction,  
7 personality, and overall life satisfaction: An integrated account. *Front. Psychol.*  
8 2022;13:894610. <https://doi.org/10.3389/fpsyg.2022.894610>.
- 9 16. Ye D, Ng YK Lian Y. Culture and happiness. *Soc. Indic. Res.* 2015;123:519–  
10 547. <https://doi.org/10.1007/s11205-014-0747-y>.
- 11 17. Zhang Z, Zhang J. Social participation and subjective well-being among retirees  
12 in China. *Soc. Indic. Res.* 2015;123:143-160. [https://doi.org/10.1007/s11205-](https://doi.org/10.1007/s11205-014-0728-1)  
13 [014-0728-1](https://doi.org/10.1007/s11205-014-0728-1).
- 14 18. Malvaso Massey B, Edwards AV, Musikanki L. Life satisfaction, affect, and  
15 belonging in older adults. *Appl. Res. Qual. Life* 2021;16:1205-1219.  
16 <https://doi.org/10.1007/s11482-019-09804-2>.
- 17 19. Bai ZL, Xu, ZW, Xu XR, Qin X, Hu WB, H Z. Association between social  
18 capital and depression among older people: evidence from Anhui Province, China.  
19 *BMC Public Health.* 2020;20:1560. <https://doi.org/10.1186/s12889-020-09657-7>.
- 20 20. Ibrahim AF, Tan MP, Teoh GK, Muda SM, Chong MC. Health benefits of social  
21 participation interventions among community-dwelling older persons: A review  
22 article. *Exp. Aging Res.* 2022;48:234-260.



- 1 <https://doi.org/10.1080/0361073X.2021.1939563>.
- 2 21. Bauman D, Ruch W, Margelisch K, Gander F, Wagner L. Character strengths  
3 and life satisfaction in later life: An analysis of different living conditions. *Appl.*  
4 *Res. Qual. Life* 2020;15:329-347. <https://doi.org/10.1007/s11482-018-9689>.
- 5 22. Adam F, Roncevic B. Social capital: Recent debates and research trends. *Soc.*  
6 *Sci. Inf.* 2003;42:155–183. <https://doi.org/10.1177/0539018403042002001>.
- 7 23. Reyes-Martinez J, Takeuchi D, Martinez-Martinez OA, Lombe M. The role of  
8 cultural participation on subjective well-being in Mexico. *Appl. Res. Qual. Life.*  
9 2021;16:1321-1341. <https://doi.org/10.1007/s11482-020-09811-8>.
- 10 24. Bourdieu P. The Forms of Capital. In *Handbook of Theory and Research for the*  
11 *Sociology of Education*. Richardson JG. Greenwood Press: New York NY USA;  
12 1986.
- 13 25. Agampodi TC, Agampodi SB, Glozier N, Siribaddana S. Measurement of social  
14 capital in relation to health in low and middle income countries (LMIC): A  
15 systematic review. *Soc. Sci. Med.* 2015;128:95–104.  
16 <https://doi.org/10.1016/j.socscimed.2015.01.005>.
- 17 26. Islam MK, Merlo J, Kawachi I, Lindstrom M, Gerdtham UG. Social capital and  
18 health: does egalitarianism matter? A literature review. *Int. J. Equity Health.*  
19 2006;5:1-28. <https://doi.org/10.1186/1475-9276-5-3>.
- 20 27. Wang HH, Zhang JN, Yu ZF, Hu NF, Du YR, He XX, Pan DG, Pu LN, Zhang X,  
21 Li JP . Association between changes in social capital and mental well-being  
22 among older people in China. *PeerJ.* 2022;10: e13938.

- 1 <https://doi.org/10.7717/peerj.13938>.
- 2 28. Pan HM. Social capital and life satisfaction across older rural Chinese groups:  
3 Does age matter? Soc. Work. 2018; 63:75-82.  
4 <https://doi.org/10.1093/sw/swx051>.
- 5 29. Rodgers J, Valuev AV, Hswen Y, Subramanian SV. Social capital and physical  
6 health: An updated review of the literature for 2007-2018. Soc. Sci. Med.  
7 2019;236: 112360. <https://doi.org/10.1016/j.socscimed.2019.112360>.
- 8 30. Rey L, Extremera N, Sánchez-Álvarez N. Clarifying the links between perceived  
9 emotional intelligence and well-being in older people: Pathways through  
10 perceived social support from family and friends. Appl. Res. Qual. Life.  
11 2019;14:221–235. <https://doi.org/10.1007/s11482-017-9588-6>.
- 12 31. Liu JY, Beaujot R, Ravanera Z. Measuring the effects of stress and social  
13 networks on the health of Canadians. Appl. Res. Qual. Life. 2018;13:891-908.  
14 <https://doi.org/10.1007/s11482-017-9565-0>.
- 15 32. Chen HS, Zhu ZJ. Social trust and emotional health in rural older adults in China:  
16 the mediating and moderating role of subjective well-being and subjective social  
17 status. BMC Public Health. 2021;21:556. [https://doi.org/10.1186/s12889-021-](https://doi.org/10.1186/s12889-021-10617-y)  
18 [10617-y](https://doi.org/10.1186/s12889-021-10617-y).
- 19 33. Kim JJ, Nam M, Kim I. The effect of trust on value on travel websites:  
20 Enhancing well-being and word-of-mouth among the elderly. J. Travel Tour.  
21 Mark. 2019;36:76-89. <https://doi.org/10.1080/10548408.2018.1494086>.
- 22 34. Zhu JH, Liang CY, Lucas J, Cheng WJ, Zhao ZY. The influence of income and

- 1 social capital on the subjective well-being of elderly Chinese people, based on a  
2 panel survey. *Sustainability*. 2020;12:1-22. <https://doi.org/10.3390/su12114786>.
- 3 35. Benvenuti M, Giovagnoli S, Mazzoni E, Cipresso P, Pedroli E, Riva G. The  
4 relevance of online social relationships among the elderly: How using the web  
5 could enhance quality of life? *Front. Psychol.* 2020;11:1-10. [https://doi.org/](https://doi.org/10.3389/fpsyg.2020.551862)  
6 [10.3389/fpsyg.2020.551862](https://doi.org/10.3389/fpsyg.2020.551862).
- 7 36. Yang Y, Zeng D, Yang F. Internet use and subjective well-being of the elderly:  
8 An analysis of the mediating effect based on social capital. *Int. J. Environ. Res.*  
9 *Public Health*. 2022;19, 1-20. <https://doi.org/10.3390/ijerph191912087>.
- 10 37. Shiroka-Pula J, Bartlett W, Krasniqi BA. Can the government make us happier?  
11 Institutional quality and subjective well-being across Europe a multilevel analysis  
12 using eurobarometer survey 2019. *Appl. Res. Qual. Life* 2023;18:677-696.  
13 <https://doi.org/10.1007/s11482-022-10099-z>.
- 14 38. Paldam M. Social capital: one or many? Definition and measurement. *J. Econ.*  
15 *Surv.* 2000;14:629-653. <https://doi.org/10.1111/1467-6419.00127>.
- 16 39. De Jong BA, Elfring T. How does trust affect the performance of ongoing teams?  
17 The mediating role of reflexivity, monitoring, and effort. *Acad. Manage. J.* 2010;  
18 53:535–549. <https://doi.org/10.5465/AMJ.2010.51468649>.
- 19 40. Jovanović V. Trust and subjective well-being: The case of Serbia. *Pers. Individ.*  
20 *Differ.* 2016;98:284-288. <https://doi.org/10.1016/j.paid.2016.04.061>.
- 21 41. Schneider IK, Konijn EA, Righetti F, Rusbult CE. A healthy dose of trust: The  
22 relationship between interpersonal trust and health. *Pers. Relat.* 2011;18: 668-



- 1 study. J. Aging Health. 2015;27:919-934.  
2 <https://doi.org/10.1177/0898264315572111>.
- 3 49. Lin, N. Social Capital: A Theory of Social Structure and Action, Structural  
4 Analysis in the Social Sciences, Cambridge University Press, Cambridge; 2001.
- 5 50. Bian Y, Zhang L, Yang J, Guo X, Lei M. Subjective well-being of Chinese  
6 people: A multifaceted view. Soc. Indic. Res. 2015;121:75–92.  
7 <https://doi.org/10.1007/s11205-014-0626-6>.
- 8 51. Ding S, Liu GQ, Xu FQ, Ji K, Zhao LL, Zheng X, Benjamin O, Wang ZS, Yang  
9 SF, Chen R. The satisfaction of elderly people with elderly caring social  
10 organizations and its relationship with social support and anxiety during the  
11 COVID-19 pandemic: a cross-sectional study. BMC Public Health.  
12 2023;23:1206. <https://doi.org/10.1186/s12889-023-15951-x>.
- 13 52. Litwin H, Shiovitz-Ezra S. Social network type and subjective well-being in a  
14 national sample of older Americans. Gerontologist. 2011;51:379-388.  
15 <https://doi.org/10.1093/geront/gnq094>.
- 16 53. Thomas PA. Gender, social engagement, and limitations in late life. Soc. Sci.  
17 Med. 2011;73:1428–1435. <https://doi.org/10.1016/j.socscimed.2011.07.035>.
- 18 54. Donder DL, Witte DN, Buffel T, Dury S. Social capital and feelings of unsafety  
19 in later life: A study on the influence of social networks, place attachment, and  
20 civic participation on perceived safety in Belgium. Res. Aging. 2012;34:425–  
21 448. <https://doi.org/10.1177/0164027511433879>.
- 22 55. Won D, Bae JS, Byun H, Seo KB. Enhancing subjective well-being through

- 1 physical activity for the elderly in Korea: A meta-analysis approach. *Int. J.*  
2 *Environ. Res. Public Health.*2020;17:262.  
3 <https://doi.org/10.3390/ijerph17010262>.
- 4 56. Yuasa M, Ukawa S, Ikeno T, Kawabata T. Multilevel, cross-sectional study on  
5 social capital with psychogeriatric health among older Japanese people dwelling  
6 in rural areas. *Australas. Ageing.* 2014;33:13-19.  
7 <https://doi.org/10.1111/ajag.12024>.
- 8 57. Gallardo-Peralta LP, de Roda ABL, Molina-Martinez MA, del Moral RS. Family  
9 and community support among older Chilean adults: the importance of  
10 heterogeneous social support sources for quality of life. *J. Gerontol. Soc. Work.*  
11 2018; 61:584-604. <https://doi.org/10.1080/01634372.2018.1489928>.
- 12 58. Bakkeli NZ. Older adults' mental health in China: Examining the relationship  
13 between income inequality and subjective well-being using panel data analysis. *J.*  
14 *Happiness Stud.* 2020;21:1349-1383. [https://doi.org/10.1007/s10902-019-00130-](https://doi.org/10.1007/s10902-019-00130-w)  
15 [w](https://doi.org/10.1007/s10902-019-00130-w).
- 16 59. Appau S, Churchill SA, Smyth R, Zhang QD. Social capital inequality and  
17 subjective wellbeing of older Chinese. *Soc. Indic. Res.* 2020;160:541-563.  
18 <https://doi.org/10.1007/s11205-020-02340-9>.
- 19 60. Hori M, Kamo Y. Gender differences in happiness: The effects of marriage,  
20 social roles, and social support in East Asia. *Appl. Res. Qual. Life.* 2018;13:839-  
21 857. <https://doi.org/10.1007/s11482-017-9559-y>.
- 22 61. He XY, Shek DTL, Du WB, Pan YG, Ma Y. The relationship between social

- 1 participation and subjective well-being among older people in the Chinese  
2 Culture Context: The mediating effect of reciprocity beliefs. *Int. J. Environ. Res.*  
3 *Public Health.* 2022;19:1-14. <https://doi.org/10.3390/ijerph192316367>.
- 4 62. Carstensen L. Social and emotional patterns in adulthood: Support for  
5 socioemotional selectivity theory. *Psychol. Aging.* 1992;7:331–338.  
6 <https://doi.org/10.1037/0882-7974.7.3.331>.
- 7 63. Djundeva M, Dykstra PA, Fokkema T. Is living alone "aging alone"? Solitary  
8 living, network types, and well-being. *J. Gerontol. Ser. B-Psychol. Sci. Soc. Sci.*  
9 2019;74: 1406-1415. <https://doi.org/10.1093/geronb/gby119>.
- 10 64. Victor CR, Scambler SJ, Bowling ANN, Bond J. The prevalence of, and risk  
11 factors for, loneliness in later life: a survey of older people in Great Britain.  
12 *Ageing Soc.* 2005;25:357-375. <https://doi.org/10.1017/S0144686X04003332>.
- 13 65. Alecu AI. Exploring the role of network diversity and resources in relationship to  
14 generalized trust in Norway. *Soc. Networks.* 2021;66:91-99.  
15 <https://doi.org/10.1016/j.socnet.2021.02.002>.
- 16 66. Delhey J, Newton K. Predicting cross-national levels of social trust: Global  
17 pattern or Nordic exceptionalism? *Eur. Sociol. Rev.* 2005;21:311–327.  
18 <https://doi.org/10.1093/esr/jci022>.
- 19 67. Mewes J. Gen(d)eralized trust: Women, Work, and trust in strangers. *Eur. Sociol.*  
20 *Rev.* 2014;30:373-386. <https://doi.org/10.1093/esr/jcu049>.
- 21 68. Van Lange PA, Rockenbach B, Yamagishi T. *Trust in Social Dilemmas*, Oxford  
22 University Press; 2017.

- 1 69. Schmiedeberg C, Schröder J. Leisure activities and life satisfaction: An analysis  
2 with German panel data. *Appl. Res. Qual. Life.* 2017;12:137–151.  
3 <https://doi.org/10.1007/s11482-016-9458-7>.
- 4 70. Lin N. *A theory of social structure and action*, 3rd Edn. China. Social Sciences  
5 Academic Press, Beijing; 2022.
- 6 71. Kawachi I, Subramanian SV, Kim D. The measurement of community social  
7 capital through surveys. In *social capital and health*; Springer: New York, NY  
8 USA; 2008.
- 9 72. Coleman JS. Social capital in the creation of human capital. *Am. J. Sociol.*  
10 1988;94:95–120. <https://doi.org/10.1016/b978-0-7506-7222-1.50005-2>.
- 11 73. Putnam RD. *Bowling alone: The collapse and revival of American community*.  
12 New York, NY: Simon and Schuster Paperbacks; 2000.
- 13 74. Thomas A, Cillo V, Caggiano V, Vrontis D. Drivers of social capital in  
14 enhancing team knowledge sharing and team performance: moderator role of  
15 manager’s cultural intelligence. *Int. J.Manag. Financial Account.* 2020;12:284–  
16 303. <https://doi.org/10.1504/IJMFA.2020.112358>.
- 17 75. Fukuyama F. Social capital, civil society and development. *Third World Q.*  
18 2001;22:7–20. <https://doi.org/10.1080/713701144>.
- 19 76. Thomas A, Gupta V. Social capital theory, social exchange theory, social  
20 cognitive theory, financial literacy, and the role of knowledge sharing as a  
21 moderator in enhancing financial well-being: from bibliometric analysis to a  
22 conceptual framework model. *Front. Psychol.* 2021;12:664638.



- 1 <https://doi.org/10.3389/fpsyg.2021.664638>.
- 2 77. Farriol-Baroni V, González-García L, Luque-García A, Postigo-Zegarra S, Pérez-  
3 Ruiz S. Influence of social support and subjective well-being on the perceived  
4 overall health of the elderly. *Int. J. Environ. Res. Public Health* 2021;18:5438.  
5 <https://doi.org/10.3390/ijerph18105438>.
- 6 78. Van-loon AM, Depla MFIA, Hertogh CMPM, Huisman M, Kok AA.L. The  
7 disability paradox? Trajectories of well-being in older adults with functional  
8 decline. *J. Aging Health*. 2022;35:125–137.  
9 <https://doi.org/10.1177/08982643221108660>.
- 10 79. Zhou K, Tan J, Watanabe K. How does perceived residential environment quality  
11 influence life satisfaction? Evidence from urban China. *J. Community Psychol.*  
12 2021;49:2454-2471. <https://doi.org/10.1002/jcop.22545>.
- 13 80. Chen Y, While AE. Older people living alone in Shanghai: A questionnaire  
14 survey of their life experience. *Health Soc. Care Community* 2019;27:260-269.  
15 <https://doi.org/10.1111/hsc.12648>.
- 16 81. Shao L, Yu GL, Zhang DH. The mechanisms underlying the negative effect of  
17 depression on life satisfaction among the elderly: The roles of ostracism and  
18 economic income. *Int. Psychogeriatr.* 2022;34:715-724.  
19 <https://doi.org/10.1017/S1041610221001162>.
- 20 82. Forsman AK, Herberts C, Nyqvist F, Wahlbeck K, Schierenbeck I.  
21 Understanding the role of social capital for mental wellbeing among older adults.  
22 *Ageing Soc.* 2013;33:804-825. <https://doi.org/10.1017/S0144686X12000256>.

- 1 83. Berkman LF, Glass T, Brissette I, Seeman TE. From social integration to health:  
2 Durkheim in the new millennium. *Soc. Sci. Med.* 2000;125:843–857.  
3 <https://doi.org/10.1016/j.socscimed.2014.10.045>.
- 4 84. Borgonovi F. Doing well by doing good. The relationship between formal  
5 volunteering and self-reported health and happiness. *Soc. Sci. Med.*  
6 2008;66:2321–2334. <https://doi.org/10.1016/j.socscimed.2008.01.011>.
- 7 85. Melchiorre MG, Chiatti C, Lamura G, Torres-Gonzales F, Stankunas M, Lindert  
8 J, Ioannidi-Kapolou E, Barros H, Macassa G, Soares JFJ. Social support, socio-  
9 economic status, health and abuse among older people in seven European  
10 countries. *PLoS One* 2013;8:e54856.  
11 <https://doi.org/10.1371/journal.pone.0054856>.
- 12 86. Li H, Ji Y, Chen T. The roles of different sources of social support on emotional  
13 well-being among chinese elderly. *PLoS One.* 2014;9:e90051.  
14 <https://doi.org/10.1371/journal.pone.0090051>.
- 15 87. Wilson A, Wissing MP, Schutte L. "We help each other": Relational patterns  
16 among older individuals in South African samples. *Appl. Res. Qual. Life.*  
17 2019;14:1373-1392. <https://doi.org/10.1007/s11482-018-9657-5>.
- 18 88. Gao S, Zhao JL. The influence of perception of social equality and social trust on  
19 subjective well-being among rural Chinese people: The moderator role of  
20 education. *Front. Psychol.* 2022;12:731982.  
21 <https://doi.org/10.3389/fpsyg.2021.731982>.
- 22 89. Zheng WB, Huang YN, Wu L. Community and social correlates of leisure

- 1 activity participation among older adults. *Leis. Stud.* 2022;41:688-702.  
2 <https://doi.org/10.1080/02614367.2022.2043417>.
- 3 90. Cui CZ. Development of measuring scales for life satisfaction of the elderly.  
4 *Essays Inst. Korean Cult.* 1986;49:233–256. (In Korea)
- 5 91. Lin YS. A study on the relationship between social capital and life satisfaction of  
6 elderly: Focused on Seoul City. Seoul, Korea: Doctor, Korean-English University  
7 of Theology; 2009.
- 8 92. Kline RB. Principles and practice of structural equation modeling, 3st ed. The  
9 Guilford Press; 2011.
- 10 93. Hair JF, Anderson RE, Tatham RL, Black W. Multivariate data analysis with  
11 readings. 5rd ed. Englewood Cliffs, NJ: Prentice Hall; 1998.
- 12 94. Fornell C, Larcker DF. Structural equation models with unobservable variables  
13 and measurement error: Algebra and statistics. *J. Mark. Res.* 1981;18:382–388.  
14 <https://doi.org/10.2307/3150980>.
- 15 95. Sun Q, Lu N. Social Capital and Mental Health among Older Adults Living in  
16 Urban China in the Context of COVID-19 Pandemic. *Int. J. Environ. Res. Public*  
17 *Health.* 2020;17:1-11. <https://doi.org/10.3390/ijerph17217947>.
- 18 96. Wei, P. Social capital of rural old adults on quality of life: The state of life of  
19 older persons in a poor community, Economic Science Press, Beijing; 2009.
- 20 97. Sun XJ, Liu K, Webber M Shi LZ. Individual social capital and health-related  
21 quality of life among older rural Chinese. *Ageing Soc.* 2017;37:221-242.  
22 <https://doi.org/10.1017/S0144686X15001099>.

- 1 98. Lu N, Jiang N, Lou VWQ, Zeng Y, Liu M. Does gender moderate the  
2 relationship between social capital and life satisfaction? Evidence from urban  
3 China. *Res. Aging* 2018;40:740-761. <https://doi.org/10.1177/0164027517739032>.
- 4 99. Zhong YQ, Schön P, Burström B, Burström K. Association between social  
5 capital and health-related quality of life among left behind and not left behind  
6 older people in rural China. *BMC Geriatr.* 2017;17:1-11.  
7 <https://doi.org/10.1186/s12877-017-0679-x>.
- 8 100. Portela M, Neira I, Salinas-Jiménez MDM. Social capital and subjective  
9 wellbeing in Europe: A new approach on social capital. *Soc. Indic. Res.*  
10 2012;114:493–511. <https://doi.org/10.1007/s11205-012-0158-x>.
- 11 101. Inaba Y, Wada Y, Ichida Y, Nishikawa M. Which part of community social  
12 capital is related to life satisfaction and self-rated health? A multilevel analysis  
13 based on a nationwide mail survey in Japan. *Soc. Sci. Med.* 2015;142:169–182.  
14 <https://doi.org/10.1016/j.socscimed.2015.08.007>.
- 15 102. Yuan H. Structural social capital, household income and life satisfaction: The  
16 evidence from Beijing, Shanghai and Guangdong-Province, China. *J. Happiness*  
17 *Stud.* 2016;17:569–586. <https://doi.org/10.1007/s10902-015-9622-z>.
- 18 103. Lansford JE, Sherman AM, Antonucci TC. Satisfaction with social networks: An  
19 examination of socioemotional selectivity theory across cohorts. *Psychol. Aging.*  
20 1998;13:544-552. <https://doi.org/10.1037/0882-7974.13.4.544>.
- 21 104. Bruine de Bruin W, Parker AM, Strough JN. Age differences in reported social  
22 networks and well-being. *Psychol. Aging.* 2020;35:159-168.

- 1        <https://doi.org/10.1037/pag0000415>.
- 2        105. Chipps J, Jarvis MA. Social capital and mental well-being of older people  
3        residing in a residential care facility in Durban, South Africa. *Aging Ment.*  
4        *Health* 2016;20:1264-1270. <https://doi.org/10.1080/13607863.2015.1105196>.
- 5        106. Shiovitz-Ezra S, Leitsch SA (2010). The role of social relationships in predicting  
6        loneliness: The national social life, health, and aging project. *Soc. Work Res.* 34,  
7        157–167. <https://doi.org/10.1093/swr/34.3.157>.
- 8        107. Sanchez-Santos JM, Rungo P, Lera-Lopez F. Building social capital through  
9        sport engagement: Evidence for adults aged 50 years and older. *Ageing Soc.*  
10        2022;1-26. <https://doi.org/10.1017/S0144686X22000046>.
- 11        108. Tobin MC, Drager KD, Richardson LF. A systematic review of social  
12        participation for adults with autism spectrum disorders: Support, social  
13        functioning, and quality of life. *Res. Autism Spectr. Disord.* 2014;8:214–229.  
14        <https://doi.org/10.1016/j.rasd.2013.12.002>.
- 15        109. Wang RY, Feng ZX, Liu Y, Lu Y. Relationship between neighbourhood social  
16        participation and depression among older adults: A longitudinal study in China.  
17        *Health Soc. Care Community.* 2020;28:247-259.  
18        <https://doi.org/10.1111/hsc.12859>.
- 19        110. Lin N. Building a network theory of social capital. *Connections.* 1999;22:28–51.
- 20        111. Adler PS, Kwon SW (2002). Social capital: Prospects for a new concept. *Acad.*  
21        *Manag. Rev.* 2002;27:17–40. <https://doi.org/10.2307/4134367>.
- 22        112. Kim JY, Steensma HK, Heidl RA (2021). Clustering and connectedness: How

- 1 inventor network configurations within incumbent firms influence their  
2 assimilation and absorption of new venture technologies. *Acad. Manag. J.*  
3 2021;64:1527–1552. <https://doi.org/10.5465/amj.2018.0225>.
- 4 113.Li XZ, Tang NX, Yu RH, Jiang HY, Xie HW. The effect of playing gateball  
5 sports on older Chinese people’s wellbeing in the context of active aging—based  
6 mediation of social capital. *Int. J. Environ. Res. Public Health.* 2022; 19:1-17.  
7 <https://doi.org/10.3390/ijerph191912254>.
- 8 114.Delhey J, Newton K, Welzel C. How general is trust in “most people”? Solving  
9 the radius of trust problem. *Am. Sociol. Rev.* 2011;76:786-807.  
10 <https://doi.org/10.1177/0003122411420817>.
- 11 115.Shadi Y, Lotfi MH, Nedjiat S, Rarani MA, Morasae EK. Explaining unequal  
12 levels of social capital in Tehran. *Soc. Indic. Res.* 2018;140:243-265.  
13 <https://doi.org/10.1007/s11205-017-1773-3>.
- 14 116.Webster NJ, Antonucci TC, Ajrouch KJ, Abdulrahim S. Social networks and  
15 health among older adults in Lebanon: The mediating role of support and trust. *J.*  
16 *Gerontol. Ser. B-Psychol. Sci. Soc. Sci.* 2015;70:155-166.  
17 <https://doi.org/10.1093/geronb/gbu149>.
- 18 117.Piumatti G, Magistro D, Zecca M, Esliger DW. The mediation effect of political  
19 interest on the connection between social trust and wellbeing among older adults.  
20 *Ageing Soc.* 2018;38:2376-2395. <https://doi.org/10.1017/S0144686X1700071X>.
- 21 118.Zhou JJ, Cao QL. Social trust and health of China's older adults: Cultural and  
22 recreational participation as mediator. *Soc. Behav. Pers.* 2020;48:e9198.

- 1        <https://doi.org/10.2224/sbp.9198>.
- 2        119. Huang J, Choi EPH, Chau PH. The impact of unmet needs for assistance with  
3        activities of daily living on the self-rated health and life satisfaction of Chinese  
4        community-dwelling older adults. *Aging Ment. Health.* 2023; 27:803-810.  
5        <https://doi.org/10.1080/13607863.2022.2045563>.
- 6        120. Kim BJ, Auh E, Lee YJ, Ahn J. The impact of social capital on depression among  
7        older Chinese and Korean immigrants: Similarities and differences. *Aging Ment.*  
8        *Health.* 2013; 17:844–852. <https://doi.org/10.1080/13607863.2013>.
- 9        121. Rodriguez-Pose A, von Berlepsch V. Social capital and individual happiness in  
10        Europe. *J. Happiness Stud.* 2014;15:357–386. [https://doi.org/10.1007/s10902-](https://doi.org/10.1007/s10902-013-9426-y)  
11        [013-9426-y](https://doi.org/10.1007/s10902-013-9426-y).
- 12        122. Theurer K, Wister A. Altruistic behaviour and social capital as predictors of well-  
13        being among older Canadians. *Ageing Soc.* 2010;30:157–181.  
14        <https://doi.org/10.1017/S0144686X09008848>.
- 15        123. Kim ACH, Ryu J, Lee CS, Kim KM, Heo J. Sport participation and happiness  
16        among older adults: A mediating role of social capital. *J. Happiness Stud.*  
17        2020;22:1623-1641. <https://doi.org/10.1007/s10902-020-00288-8>.