

1 ***Salmonella* Typhi Haplotype 58 (H58) Biofilm Formation and Genetic Variation in Typhoid**
2 **Fever Patients with Gallstones in an Endemic Setting in Kenya**

3 Peter Muturi^{a,b}, Peter Wachira^b, Maina Wagacha^b, Cecilia Mbae^a, Susan Kawai^a, Michael Mugo^a,
4 Musa Muhammed^c, Juan F. González^d, Samuel Kariuki^{a,e,f,#}, John S. Gunn^{d,g##}

5 ^aCentre for Microbiology Research, Kenya Medical Research Institute

6 ^bDepartment of Biology, University of Nairobi, Kenya

7 ^cMinistry of Health, Kenya

8 ^dCenter for Microbial Pathogenesis, Abigail Wexner Research Institute at Nationwide Children's
9 Hospital, Columbus, OH, USA

10 ^eWellcome Sanger Institute, Cambridge, United Kingdom

11 ^fDrugs for Neglected Diseases initiative Eastern Africa, Nairobi, Kenya

12 ^gInfectious Diseases Institute, The Ohio State University, Columbus, OH, USA

13

14

15 **Running title:** *S. Typhi* genetic variation in asymptomatic carriers

16

17 #Co-Corresponding authors:

18 Samuel Kariuki, Ph.D.

19 Email: samkariuki2@gmail.com

20

21 John S. Gunn, Ph.D.

22 Email: John.Gunn@nationwidechildrens.org

23

24

25

26

27

28

29

30

31

32

33

34 **Abstract**

35 The causative agent of typhoid fever, *Salmonella enterica* serovar Typhi, is a human restricted
36 pathogen. Human carriers, 90% of whom have gallstones in their gallbladder, continue to shed the
37 pathogen after treatment. The genetic mechanisms involved in establishing the carrier state are
38 poorly understood, but *S. Typhi* is thought to undergo specific genetic changes within the
39 gallbladder as an adaptive mechanism. In the current study, we aimed to identify biofilm forming
40 ability and the genetic differences in longitudinal clinical *S. Typhi* isolates from asymptomatic
41 carriers with gallstones in Nairobi, Kenya. Whole genome sequences were analyzed from 22 *S.*
42 *Typhi* isolates, 20 from stool and 2 from blood samples, all genotype 4.3.1 (H58). Nineteen strains
43 were from four patients also diagnosed with gallstones, of whom, three had typhoid symptoms and
44 continued to shed *S. Typhi* after treatment. All isolates had point mutations in the quinolone
45 resistance determining region (QRDR) and only sub-lineage 4.3.1.2EA3 encoded multidrug
46 resistance genes. There was no variation in antimicrobial resistance patterns among strains from
47 the same patient/household. Non-multidrug resistant (MDR), isolates formed significantly
48 stronger biofilms *in vitro* than the MDR isolates, $p < 0.001$. A point mutation within the *treB* gene
49 (*treB* A383T) was observed in strains isolated after clinical resolution from patients living in 75%
50 of the households. Missense mutations in Vi capsular polysaccharide genes, *tviE* P263S was also
51 observed in 18% of the isolates. This study provides insights into the role of typhoid carriage,
52 biofilm formation, AMR genes and genetic variations in *S. Typhi* from asymptomatic carriers.

53 **Importance**

54 Although typhoid fever has largely been eliminated in high income countries, it remains a major
55 global public health concern especially among low- and middle-income countries. The bacteria
56 responsible for this infectious disease, *Salmonella Typhi*, has limited ability to replicate outside
57 the human host and human carriers serve as a reservoir of infection. Typhoid is a common infection
58 in parts of sub-Saharan Africa and Asia, and is endemic in our study setting. Our research findings
59 on differences in *S. Typhi* strains causing typhoid fever and carriage will influence public health
60 approaches aimed at reducing carriage and transmission of *S. Typhi*.

61 **Key Words:** *Salmonella Typhi*, AMR genes, genetic variation, biofilm, carriage

62

63

64 Introduction

65 Typhoid fever (typhoid), a life-threatening systemic infection caused predominantly by *Salmonella*
66 *enterica* subspecies *enterica* serotype Typhi (*S. Typhi*), remains a common infection and a public
67 health concern in resource poor-settings in parts of sub-Saharan Africa and Asia (1–3). An
68 estimated 9 million new typhoid fever cases occur each year, of which 2-3% results in death even
69 with adequate antibiotics therapy (4,5). Typical symptoms manifest between 1 and 3 weeks post-
70 infection and encompass elevated prolonged fever, headache, malaise, abdominal pain, diarrhea,
71 constipation, hypersplenism and rose-colored spots on the chest (6). *S. Typhi* is transmitted via the
72 fecal-oral route in settings with poor standards of sanitation, low levels of hygiene and inadequate
73 water supply (7,8). Besides inadequate resources, typhoid endemic settings lack a quality public
74 health infrastructure (9).

75 Upon ingestion of contaminated food or water, *S. Typhi* bacteria that survive the hostile gastric
76 acid rich environment in the stomach, are able to replicate in the new host (9,10). The typhoid
77 bacilli can invade the intestinal mucosa, typically through microfold (M) cells, and establish an
78 initially clinically undetectable infection involving significant systemic dissemination and a
79 transient primary bacteremia (9). *S. Typhi* also reach the gallbladder hematogenously during
80 primary bacteremia or shortly thereafter through infected hepatic bile entering the gallbladder
81 (11,12). *S. Typhi* bacteria can survive, replicate and evade immune surveillance intracellularly
82 within a modified phagosome known as *Salmonella*-containing vacuole (SCV) (13,14).

83 Although the majority of patients recover from typhoid fever after an appropriate treatment, some
84 individuals become asymptomatic carriers and shed the infectious typhoid bacilli intermittently in
85 their faeces for an ill-defined period of time after apparent clinical resolution. Since the early 20th
86 century, asymptomatic carriage has been demonstrated to be a source of transmission of typhoid
87 fever, including in the famous case of Mary Mallon (15). Generally, ~2–5% of acute typhoid cases
88 fail to clear the infection fully within one year and develop asymptomatic chronic carriage (16–
89 18). Approximately 90% of typhoid chronic carriers have gallstones in their gallbladder (19,20).

90 Persistent colonization of the gallbladder by *S. Typhi* is facilitated by formation of biofilms on the
91 surface of cholesterol gallstones (19,21). Biofilms are organized three-dimensional multicellular
92 communities encased in self-produced extracellular polymeric substances (EPS) comprised of
93 polysaccharides, extracellular DNA [eDNA], proteins and lipids (22). Biofilms account for 80%
94 of chronic infections in humans, leading to increased rates of hospitalization, high health care

95 costs, and increased mortality and morbidity rates (23). Bacteria in a biofilm are protected from
96 certain environmental stresses, such as osmotic shifts, oxidative stress, metal toxicity, dehydration,
97 radiation, host immunity, antimicrobial agents, and disinfectants (24). Chronic *S. Typhi*
98 colonization usually cannot be resolved with antibiotics; gallbladder resection is the only option,
99 although not always effective (21). Biofilm formation leads to continuous shedding and
100 reattachment of planktonic cells, followed by bacteria diffusion in urine and faeces (19,25). Since
101 *S. Typhi* is a human-restricted pathogen, gallbladder colonization and fecal shedding form a central
102 dogma for further transmission and persistence of typhoid fever.

103 In the gallbladder, *S. Typhi* is exposed to bile, a complex digestive secretion comprised of bile
104 acids, bilirubin, phospholipids and cholesterol, that exhibit strong antimicrobial properties (26,27).
105 The molecular mechanisms involved in establishing the carrier state are poorly understood;
106 however *S. Typhi* is thought to undergo genetic changes within the gallbladder as an adaptive
107 mechanism (21,28,29).

108 Although it is widely accepted that *S. Typhi* carriers contribute to typhoid transmission in endemic
109 settings, little progress has been made in understanding typhoid carrier state. The current study, we
110 aimed at identifying the genetic differences in longitudinal clinical *S. Typhi* isolates from carriers,
111 in a typhoid endemic setting in Nairobi, Kenya.

112 **RESULTS**

113 **Genotype Identification and Clustering Tree**

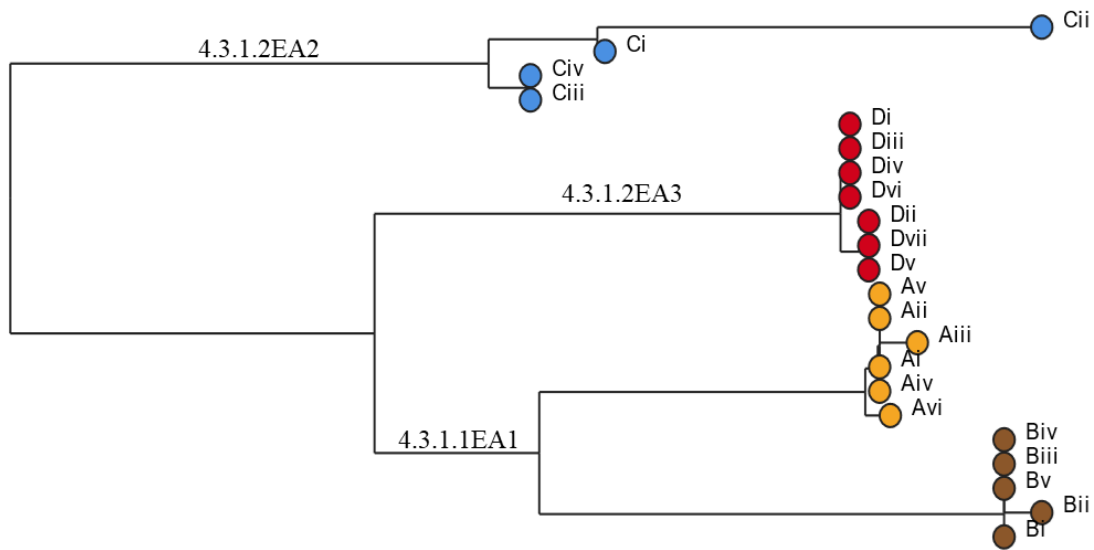
114 Since the *S. Typhi* population is highly structured, with dozens of subclades being associated with
115 specific geographical regions and antimicrobial resistance patterns, the genotypes causing
116 asymptomatic carriage in the current study settings were identified. All 22 bacteria isolates were
117 genotype 4.3.1 (*S. Typhi* Haplotype 58 [H58]). Within this genotype, 11 of the isolates (from 2/4
118 of the households) fell under the lineage 4.3.1.1 (from households A and B) while the remaining
119 11 isolates (from households C and D) belong to lineage 4.3.1.2 (Figure 1). Lineage 4.3.1.2 strains
120 were further grouped into two sub-lineages, 4.3.1.2EA2 (4 isolates from the index case in
121 household C) and 4.3.1.2EA3 (7 isolates from an index case in household D). Each patient shed
122 typhoid bacilli belonging to only one lineage/sub-lineage. From household A, isolates (i)-(v) were
123 from and index case while isolate (vi) was from a household contact. Isolates (i) and (ii), household
124 B, were from index case while (iii), (iv) and (v) were from an asymptomatic household contact
125 living with the index case. All the *S. Typhi* strains were isolated from stool samples apart from

126 two, isolate (i) from household B, and isolate (i) from household D, which were isolated from
 127 blood samples. The time of isolation/shedding of each isolate is shown in Table 1. Assembled
 128 genomes can be accessed in NCBI database, BioProject ID PRJNA1101423, GenBank accession
 129 numbers are shown in the data availability section.

130 **Table 1.** Time of isolation/shedding of *S. Typhi*.

Household	Category of Study participant	Time of isolation of <i>S. Typhi</i> isolates (No. of days after the index case was diagnosed with typhoid fever)						
		(i)	(ii)	(iii)	(iv)	(v)	(Vi)	(vii)
A	Index case*	0	31	35	39	88	-	-
	Household contact	-	-	-	-	-	31	-
B	Index case	0	0	-	-	-	-	-
	Household * contact	-	-	29	33	40	-	-
C	Index case*	0	22	78	170	-	-	-
D	Index case*	0	21	24	28	35	76	107

138 *Patients with gallstones in their gallbladder. Index cases had symptoms at the time of
 139 recruitment while household contacts were asymptomatic and living with a typhoid
 140 fever acute case



141 5.00

142 **Figure 1.** Clustering tree for *S. Typhi* strains isolated from the study participants living in the
 143 different households as generated using the pathogenwatch database and visualized using
 144 microreact. Roman numbers indicate specific isolates from the different households (A, B, C and
 145 D). Isolates from each household are shown by specific leaf nodes color. Branch tips are color-
 146 coded according to the household of isolation. The bar represents branch length scale bar. The tree
 147 can be visualized here <https://microreact.org/project/s3biz8PE9LDnFayjco22MZ-s-typhi-kenya-2023>.

148 **Antimicrobial Resistance Genes**

149 Different antimicrobial resistance patterns were observed in the isolated *S. Typhi* strains. The seven
 150 isolates belonging to sub-lineage 4.3.1.2EA3 (from Household D) were multidrug resistant, all
 151 expressed the following acquired antimicrobial resistance genes; *sul1*, *dfrA7*, *catA1*, *aph(6)-Id*,
 152 *aph(3'')-Ib*, *sul2* and *bla_{TEM-1}*, and a point mutation in the Quinolone Resistance Determining
 153 Region (QRDR) of *gyrA* (*gyrA* S83Y). Phenotypic susceptibility data showed that these seven
 154 isolates were resistant to ampicillin, chloramphenicol, trimethoprim-sulfamethoxazole and
 155 nalidixic acid but non-susceptible to ciprofloxacin. The four sub-lineage 4.3.1.2EA2 isolates (*S.*
 156 *Typhi* strains from Household C) had a *gyrB* S464F mutation in the QRDR, and all were non-
 157 susceptible to nalidixic acid and ciprofloxacin according to phenotypic susceptibility results. The
 158 third group, lineage 4.3.1.1, had six strains (Household A isolates) with a *gyrB* S464F mutation,
 159 also demonstrating non-susceptibility to nalidixic acid and ciprofloxacin. The other five lineage
 160 4.3.1.1 strains (household B isolates) had *gyrA* S83F mutations in the QRDR, and showed
 161 resistance to nalidixic acid and non-susceptibility to ciprofloxacin (Table 2).

162 **Table 2.** Antibiotic resistance profiles in isolated *S. Typhi*.

Antimicrobial Resistance (AMR)			<i>Salmonella Typhi</i> Isolates N (%)			
Resistance Pattern	AMR genes	Antibiotics	Household A (4.3.1.1EA1)	Household B (4.3.1.1EA1)	Household C (4.3.1.2EA2)	Household D (4.3.1.2EA3)
MDR	<i>sul1</i> , <i>dfrA7</i> , <i>catA1</i> , <i>aph(6)-Id</i> , <i>aph(3'')-Ib</i> , <i>sul2</i> , <i>bla_{TEM-1}</i> and point mutation on DNA gyrase sub-unit A (<i>gyrA</i> S83Y)	Resistant to AMP, SXT, CHL and NAL, and reduced susceptibility to CIP	-	-	-	7/7 (100%)
Non-MDR	Point mutation on DNA gyrase sub-unit A (<i>gyrA</i> S83F)	Resistant to NAL and reduced susceptibility to CIP	-	5/5 (100%)	-	-
	Point mutation on DNA gyrase sub-unit B (<i>gyrB</i> S464F)	Reduced susceptibility to NAL and CIP	6/6 (100%)	-	4/4 (100%)	-

MDR=Multidrug resistant

AMP=Ampicillin, SXT= Sulfamethoxazole-trimethoprim, CHL= Chloramphenicol, NAL= Nalidixic acid, CIP= Ciprofloxacin.

sul1 and *sul2* mediates resistance to sulfonamide, *bla_{TEM-1}* encodes broad-spectrum β-lactamase, *aph(6)-Id* and *aph(3'')-Ib* confer resistance to streptomycin, *dfrA7* confers resistance to trimethoprim, and *catA1* confers resistance to chloramphenicol.

163

164

165 Variant Calling

166 When comparing genome sequences among the isolates, missense mutations were observed in a
167 gene that codes for Trehalose Phosphotransferase System (PTS), trehalose transporter subunit
168 IIBC, *treB* gene (*treB* A383T), in 3/7 sub-lineage 4.3.1.2EA3 (Household D) isolates and in *tviE*
169 gene (*tviE* P263S), which codes for the gene coding for biosynthesis of Vi polysaccharide
170 biosynthesis protein TviE, in 4/7 isolates in the same group, while 2/7 had both mutations (*treB*
171 A383T and *tviE* P263S), (Table 3). A nonsense mutation was observed in 1/7 of the sub-lineage
172 4.3.1.2EA3 isolates in the BCKKFA_12280 locus (E237*) that codes for integrase/transposase
173 family protein. The first follow-up isolate (*S. Typhi* sub-lineage 4.3.1.2EA2) from the index case
174 living in household C (C ii) had a total of 16 mutations, of which 7 were silent, 8 missense
175 mutations and a deletion in *mutL* gene that codes for DNA mismatch repair endonuclease MutL
176 (Table 3 and Supplementary files 2 and 3). The second and third follow-up isolates from the same
177 patient (C iii and C iv) had two silent mutations, one in the *yccC* gene that codes for putative
178 membrane protein YccC and *tehA* gene that codes for dicarboxylate transporter/tellurite-resistance
179 protein TehA (*tehA* A124A and *yccC* R199R mutations respectively) and missense mutations in
180 the *amiA* gene that codes for N-acetylmuramoyl-L-alanine amidase AmiA (*amiA* V145A
181 mutation). An additional mutation was observed in the LEJNAJ_18700 locus (K124E) that
182 encodes for 4-hydroxyphenylacetate permease. The second follow-up isolate from the patient in
183 household C (C iii) had a third missense mutation in the LEJNAJ_10515 locus (D78G) that
184 encodes phage baseplate assembly protein V. The follow-up lineage 4.3.1.1 strains, which were
185 isolated from households A and B, also had a few mutations. While no mutation was detected in
186 the first follow-up sample from the index case in household A, the second follow-up sample (A iii)
187 had a single nucleotide polymorphism in the *crl* gene (*crl* L38P), *crl* codes for sigma factor-binding
188 protein Crl. The third and fourth follow-up *S. Typhi* isolates from the same patient (A iv and A v)
189 had a silent mutation in the *tnpA* gene (*tnpA* Y41Y) that codes for IS200/IS605 family transposase
190 (Supplementary file 1). From the same household, an *S. Typhi* strain isolated from a household
191 contact's stool sample (A vi) had a missense mutation in the *treB* gene (*treB* A383T). *S. Typhi*
192 bacteria isolated from the stool of the index case living in household B before treatment (isolate
193 ii), had a missense mutation in the *waaK* gene (*waaK* P167L) that codes for lipopolysaccharide N-
194 acetylglucosaminyltransferase, compared to the strain from blood sample collected on the same
195 day (Supplementary file 2).

196 **Table 3.** Missense mutations in *S. Typhi* strains isolated from index cases after apparent clinical
 197 resolution and from asymptomatic household contacts.

Gene/Locus	Seq Change	Household A 4.3.1.1EA1					Household B 4.3.1.1EA1					Household C 4.3.1.2EA2			Household D 4.3.1.2EA3						
		ii	iii	iv	v	vi	ii	iii	iv	v	ii	iii	iv	ii	iii	iv	v	vi	vii		
<i>crL</i>	L38P		✓																		
<i>treB</i>	A383T					✓					✓			✓				✓	✓		
<i>waaK</i>	P167L						✓														
BCKKFA_12280	E237*													✓							
<i>tviE</i>	P263S														✓	✓	✓	✓	✓		
LEJNAJ_01195	M224V									✓											
<i>yhhY</i>	R73H									✓											
LEJNAJ_13650	R51W									✓											
<i>yihT</i>	R270C									✓											
<i>rfbP</i>	D196G									✓											
<i>galR</i>	Y98H									✓											
<i>dnaE</i>	E953G									✓											
LEJNAJ_18700	K124E										✓	✓									
<i>amiA</i>	V145A										✓	✓									
LEJNAJ_10515	D78G										✓										

Roman numbers in red represent isolates from household contacts.
 ✓ indicates isolates with observed missense mutations.

198 **Plasmid Identification**

199 *S. Typhi* genotype 4.3.1 lineages/sub-lineages identified in this study were found to contain
 200 plasmids. A total of 22 different plasmids were identified, 12/22 of these had sequences
 201 corresponding to known *Salmonella* species plasmids, 6/22 had sequences corresponding to
 202 *Escherichia coli* plasmids, 2/22 corresponding to *Klebsiella pneumoniae* plasmids, 1/22
 203 corresponding to *Enterobacter kobei* and 1/22 an *Escherichia albertii* plasmid (Table 4). Out of
 204 the 22 plasmids, 8/22 were detected in all 22 *S. Typhi* strains. The eight plasmids include
 205 *Salmonella* Infantis strain CFSAN003307 plasmid pCFSAN003307, *Salmonella* Senftenberg
 206 strain NCTC10384 plasmid 4, *E. coli* strain 13TMH22 plasmid p13TMH22-1, *Salmonella* enterica
 207 subsp. enterica serovar 1,4,[5],12:i:- strain PNCS014880 plasmid p16-6773.2, *S. Typhi* strain
 208 ERL11909 plasmid 3, *Salmonella* Typhimurium strain AUSMDU00027951 isolate
 209 AUSMDU00027951 plasmid P02, *Salmonella* Weltevreden plasmid pSH17G0407 and *S.*
 210 Senftenberg strain NCTC10384 plasmid 3. Plasmids with sequences corresponding to *E. coli* strain
 211 88COLEC plasmid p88COLEC-1 and *E. coli* strain 13P477T plasmid p13P477T-2 were only
 212 detected in lineage 4.3.1.2EA2 (Household C) isolates, in 4/4 and 2/4 of the strains respectively.
 213 The *E. albertii* strain 2014C-4356 plasmid unnamed6 was only found in 1/11 of lineage 4.3.1.1

214 isolates while *Salmonella* Uganda strain CFSAN006208 plasmid pCFSAN006208_1 was detected
215 in 1/11 of lineage 4.3.1.1 isolates. Sequences corresponding to five known plasmids, *Salmonella*
216 Enteritidis strain 81-1705 plasmid pSE81-1705-3, *S. Typhi* strain 311189_252186 plasmid
217 pHCM1, *E. coli* NES6 plasmid pN-ES-6-1, *K. pneumoniae* strain RIVM_C018860 plasmid
218 pRIVM_C018860_2 and *K. pneumoniae* strain 03108465-40B plasmid pKpQIL, were detected in
219 7/7 of sub-group 4.3.1.2EA3 strains but not in the other sub-groups.

220 Genes conferring multidrug resistance in *S. Typhi* were detected in two different plasmids
221 identified in sub-group 4.3.1.2EA3 (Household D) strains. The antimicrobial resistance genes *sull*,
222 *dfrA*, *catA1*, *aph(6)-Id*, *aph(3'')-Ib* and *sul2* were detected in a plasmid with sequences
223 corresponding to *S. Typhi* strain 311189_252186 plasmid pHCM1, while *bla_{TEM-1}* was detected in
224 a plasmid with sequences corresponding to *E. coli* NES6 plasmid pN-ES-6-1. None of the plasmids
225 in isolates from households A, B and C had identifiable antimicrobial resistance genes.

226 **Table 4.** Bacterial plasmids detected in isolated *S. Typhi* strains.

GenBank Accession number of plasmids with similar sequences	Origin/Description	Number of isolates per household with identified plasmid/s			
		HH A	HH B	HH C	HH D
NZ_CP019203.1	<i>Salmonella</i> Infantis strain CFSAN003307 plasmid pCFSAN003307	6/6	5/5	4/4	7/7
NZ_LN868946.1	<i>Salmonella</i> Senftenberg strain NCTC10384 plasmid 4	6/6	5/5	4/4	7/7
NZ_CP019257.1	<i>Escherichia coli</i> strain 13TMH22 plasmid p13TMH22-1	6/6	5/5	4/4	7/7
NZ_CP039862.1	<i>Salmonella enterica</i> subsp. <i>enterica</i> serovar 1,4,[5],12:i:- strain PNCS014880 plasmid p16-6773.2	6/6	5/5	4/4	7/7
NZ_LT904874.1	<i>Salmonella</i> Typhi strain ERL11909 plasmid 3	6/6	5/5	4/4	7/7
NZ_OU015330.1	<i>Salmonella</i> Typhimurium strain AUSMDU00027951 isolate AUSMDU00027951 plasmid P02,	6/6	5/5	4/4	7/7
NZ_MW405382.1	<i>Salmonella</i> Weltevreden plasmid pSH17G0407	6/6	5/5	4/4	7/7
NZ_LN868945.1	<i>Salmonella</i> Senftenberg strain NCTC10384 plasmid 3	6/6	5/5	4/4	7/7
CP075030.1	<i>Salmonella</i> Abortusequi strain CFSAN022626 plasmid pCFSAN022626	5/6	4/5	4/4	7/7
CP074288.1	<i>Salmonella</i> Uganda strain CFSAN006208 plasmid pCFSAN006208_1	1/6	-	-	-
NZ_CP043512.1	<i>Enterobacter kobei</i> strain EB_P8_L5_01.19 plasmid unnamed1	2/6	1/5	2/4	3/7
NZ_CP026725.1	<i>Escherichia coli</i> strain 266917_2 plasmid p266917_2_02	3/6	3/5	2/4	4/7
NZ_CP022733.1	<i>Escherichia coli</i> strain SA186 plasmid pSA186_4	4/6	4/5	2/4	6/7
NZ_CP040702.1	<i>Salmonella</i> Weltevreden strain 3 isolate CFSAN047349 plasmid unnamed	3/6	4/5	4/4	7/7
NZ_CP024288.1	<i>Escherichia albertii</i> strain 2014C-4356 plasmid unnamed6	-	1/5	-	2/7
NZ_CP070907.1	<i>Escherichia coli</i> strain 88COLEC plasmid p88COLEC-1	-	-	4/4	-
NZ_CP019275.1	<i>Escherichia coli</i> strain 13P477T plasmid p13P477T-2	-	-	2/4	-
NZ_CP018654.1	<i>Salmonella</i> Enteritidis strain 81-1705 plasmid pSE81-1705-3	-	-	-	7/7
*NZ_CP029895.1	<i>Salmonella</i> Typhi strain 311189_252186 plasmid pHCM1	-	-	-	7/7
*LC553463.1	<i>Escherichia coli</i> NES6 plasmid pN-ES-6-1	-	-	-	7/7
NZ_CP068928.1	<i>Klebsiella pneumoniae</i> strain RIVM_C018860 plasmid pRIVM_C018860_2	-	-	-	7/7
MT809700.1	<i>Klebsiella pneumoniae</i> strain 03108465-40B plasmid pKpQIL	-	-	-	7/7

HH=Household

*Plasmids with antimicrobial resistance genes

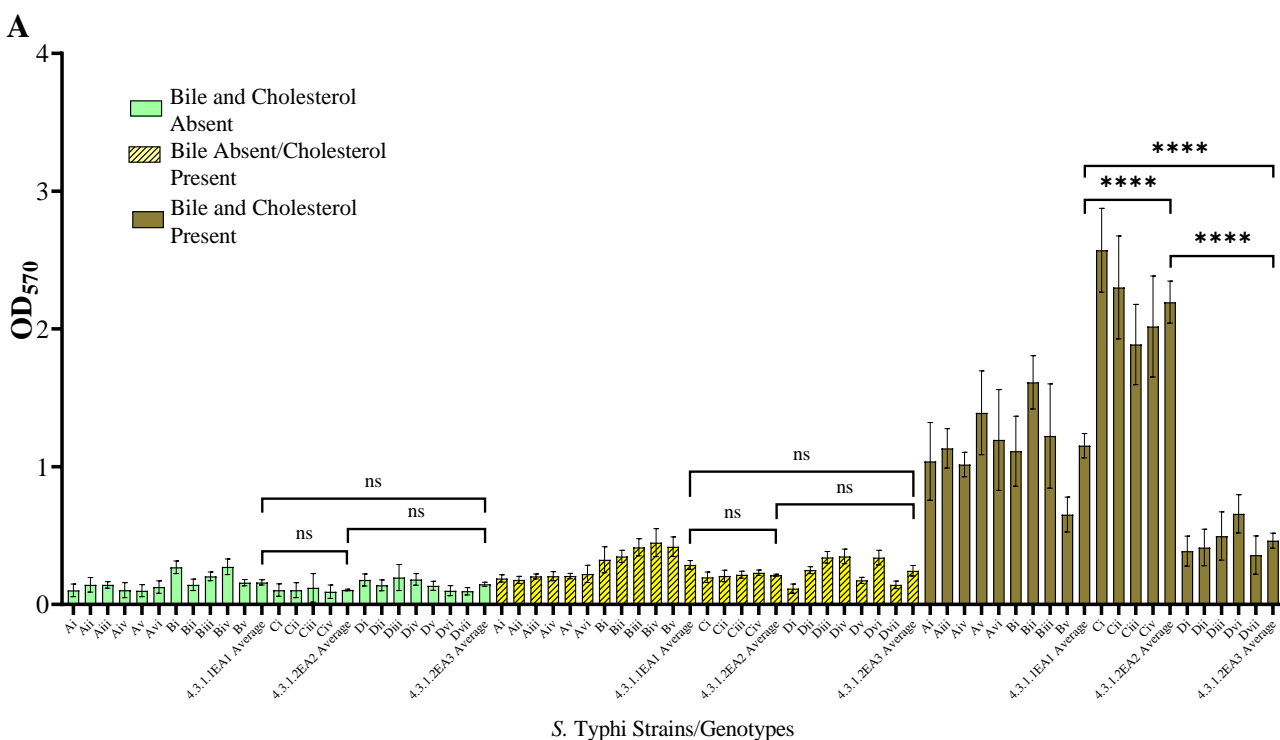
227

228

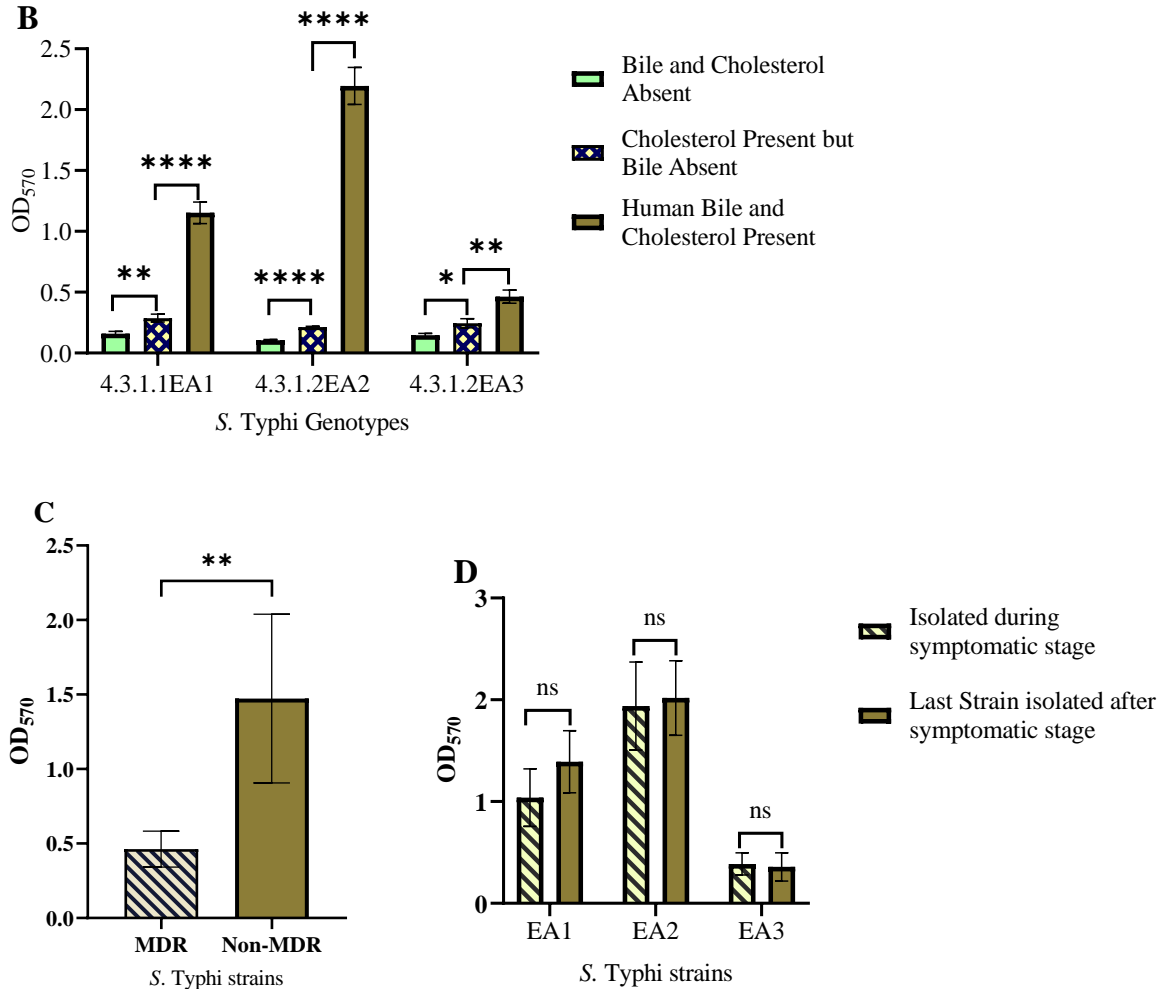
229

230 Biofilm Formation

231 We wanted to determine if biofilm-forming ability is correlated with the stage of typhoid
 232 fever/carriage, antimicrobial resistance or with the presence of plasmids. Biofilms were examined
 233 in gallbladder-simulating conditions. There was varying ability to form biofilms under *in vitro*
 234 conditions in the *S. Typhi* strains tested. All isolates formed weak biofilms in absence of both
 235 cholesterol and bile (OD₅₇₀ below 0.3) and significantly strong biofilms in presence of cholesterol
 236 and 2.5% human bile (Figure 2A and 2B). Differences in biofilm forming ability was observed
 237 across the identified genotype 4.3.1 lineages/sub lineages. The sub-lineage 4.3.1.2EA2 formed the
 238 strongest biofilms (OD₅₇₀ slightly above 2.0) while sub-lineage 4.3.1.2EA3 formed relatively weak
 239 biofilms (OD₅₇₀ below 0.5) even in the presence of cholesterol and human bile (Figure 2A and
 240 2B). The weak biofilm forming isolates, sub-lineage 4.3.1.2EA3, had AMR genes encoded in 2/19
 241 of the plasmids identified in this sub-group. Sub-lineages 4.3.1.2EA2 and 4.3.1.1EA1 had fewer
 242 identified plasmids, (14 and 15 respectively) (Table 4), None of these plasmids had identifiable
 243 AMR genes, but isolates in these subgroups formed significantly stronger biofilms in the presence
 244 of both cholesterol and human bile (Figure 2C). However, there was no statistical significance in
 245 biofilm forming ability in strains isolated during the symptomatic vs. asymptomatic stage in each
 246 of the three sub-groups of *S. Typhi* (Figure 2D).



247



248

249

250

251 **Figure 2.** *Salmonella* Typhi biofilms. (A and B) Quantity of biofilms after growth in
 252 presence/absence of cholesterol and/or bile. (C) Biofilm formation by MDR *S. Typhi* strains vs.
 253 non-MDR strains. (D) Comparison of biofilms formed by *S. Typhi* strains isolated before treatment
 254 vs. after treatment. Error bars represent SEM, *****, $P < 0.001$; **, $P < 0.05$; $^{ns} P \geq 0.5$.

255 **Discussion**

256 Although typhoid fever has largely been eliminated in high income countries, it remains a major
 257 global public health concern especially among low- and middle-income countries (2). The
 258 haplotype 58 (H58), which is associated with antimicrobial resistance has also been reported from
 259 other parts of sub-Saharan Africa and Southeast Asia (30,31). In this study, H58 (genotype 4.3.1)
 260 was identified as the single genotype shed by four cholelithiasis patients living in a typhoid
 261 endemic setting in Nairobi, Kenya. *S. Typhi* H58 is the most dominant genotype in many parts of

262 Southeast and South Asia as well as in East Africa and has spread globally (32,33). Three H58 east
263 African subgroups (4.3.1.1EA1, 4.3.1.2EA2, 4.3.1.2EA3) previously reported circulating in the
264 current study setting by our group (1), were the main lineages/sub-lineages shed by the
265 cholelithiasis patients. The most abundant subgroup was 4.3.1.1EA1 with 11/22 (50%) isolates,
266 originating from individuals living in two different households. In one of these households, an
267 acute case shed an *S. Typhi* belonging to the same sub-group as an asymptomatic household contact
268 who was also diagnosed with gallstones. This suggests possible transmission of the pathogen by
269 the carrier to the household contact (household B). From a different household, a typhoid patient
270 also diagnosed with gallstones continued to shed sub-lineage 4.3.1.2EA2, while in the fourth
271 household, *S. Typhi* sub-lineage 4.3.1.2EA3 strains were isolated from stool samples collected
272 from an acute case after treatment. Unlike the other two sub-groups, the sub-lineage 4.3.1.2EA3
273 strains had MDR genes, showing resistance to ampicillin, sulfamethoxazole-trimethoprim and
274 chloramphenicol. MDR isolates had more plasmids, 19, compared to the 14 plasmids in non-MDR
275 isolates, from 4.3.1.1EA1 and 15 plasmids from 4.3.1.2EA2. The seven sub-lineage 4.3.1.2EA3
276 strains had the MDR genes detected in identified plasmids. All 22 *S. Typhi* isolates had point
277 mutations in the QRDR, conferring reduced susceptibility to ciprofloxacin, a drug of choice for
278 treating typhoid fever. There was no variation noted in antimicrobial resistance patterns among
279 strains isolated from the patients in the same household.

280 Multidrug resistance genes were not detected in 4.3.1.1EA1 and 4.3.1.2EA2 *S. Typhi* genomes,
281 but the strains belonging to these subgroups formed significantly stronger biofilms as compared to
282 the MDR sub-lineage 4.3.1.2EA3 strains. Biofilms act as physical barrier protecting bacteria from
283 killing by antimicrobials including antibiotics. A previous study demonstrated the role of biofilms
284 in protecting *Salmonella* from ciprofloxacin (34). We hypothesize that the 4.3.1.1EA1 and
285 4.3.1.2EA2 sub-lineages form better biofilms to counteract the absence of antimicrobial resistance
286 factors, or conversely, that lineage 4.3.1.2EA3 has lost biofilm-related genes because it possesses
287 more plasmids/genes encoding strong antimicrobial resistance. To the best of our knowledge, this
288 is the first study comparing biofilm forming ability in different *S. Typhi* lineages. The mechanism
289 leading to differences in biofilm formation in isolates from the same genotype will need to be
290 further investigated.

291 Genetic variations were observed in *S. Typhi* from asymptomatic carriers, with a *treB* A383T point
292 mutation being observed in at least one isolate from each of the four households. The *treB* gene

293 codes for PTS trehalose transporter subunit IIBC. As seen in Table 3, household B, some of the
294 mutations observed in the first follow-up isolate were not detected in *S. Typhi* strains isolated
295 during the consecutive follow-ups. However, some mutations were observed in more than one
296 strain isolated from the same patient. From the patient shedding sub-lineage 4.3.1.2EA3 strains,
297 the *tviE* P263S mutation was observed in the fourth isolate and all strains isolated thereafter. This
298 suggests that some of the mutations are maintained in the population during the asymptomatic
299 carriage, while others are not. Although no strain was isolated directly from gallbladder in our
300 study, mutations in the *tviE* gene was also observed in *S. Typhi* gallbladder genome sequences in
301 a previous study (29). The *tviE* gene facilitates the polymerization and translocation of the Vi
302 capsule (35). Vi capsular polysaccharide, an antiphagocytic capsule, covers the surface of *S. Typhi*
303 allowing it to selectively evade phagocytosis by human neutrophils while promoting human
304 macrophage phagocytosis (36). This crucial virulence factor in *S. Typhi* (Vi) also plays a key role
305 in the development of vaccines against typhoid fever (37). However, additional research will be
306 required to understand if this mutation alters the expression of Vi antigen to benefit *S. Typhi*
307 pathogenesis or chronic carriage.

308 The main limitation in this study is lack of availability of isolates from gallbladder samples from
309 patients shedding *S. Typhi* for comparison with those isolated from stool and blood samples. There
310 were also no *S. Typhi* belonging to other genotypes for comparison purposes.

311 **Conclusion**

312 The resistance patterns in *S. Typhi* did not change during the duration of asymptomatic carriage in
313 study participants, but these individuals continued to shed and transmit drug resistant strains of
314 this pathogen. Mutations in *S. Typhi* were observed to occur during carriage including those in the
315 Vi antigen locus. Sub-lineages analyzed in this study that were not multidrug resistant, showed the
316 ability to form stronger biofilms than the multidrug resistant strains. This study provides some
317 insights into mutations, drug resistance and biofilm formation during typhoid carriage, and this
318 information may be used to influence public health approaches aimed at reducing carriage and
319 transmission of *S. Typhi*.

320

321

322

323

324 **Methods**

325 **Source of Bacteria strains**

326 The whole genome sequences of 22 *S. Typhi* strains isolated from blood and stool samples of six
327 patients living in four different households in Mukuru informal settlement, a typhoid endemic area
328 in Nairobi, Kenya, were analyzed. Nineteen of these strains were from four patients who were also
329 diagnosed with cholelithiasis, of whom, three had typhoid symptoms and continued to shed *S.*
330 *Typhi* after treatment. The presence of gallstones was confirmed through an ultrasound scan, the
331 primary imaging modality performed by a radiologist used to evaluate patients suspected of having
332 gallbladder disease. One of the patients with gallstones was asymptomatic but shedding *S. Typhi*
333 and living in the same household (household B) with an acute typhoid fever case (not diagnosed
334 with gallstones). In a different household (household A), a study participant (household contact)
335 not diagnosed with cholelithiasis shed *S. Typhi* once. The index case from this household was
336 diagnosed with cholelithiasis and continued to shed *S. Typhi* after treatment with antibiotics.
337 Laboratory methods on isolation and identification of the isolates are as described in our previous
338 publication (38).

339 **Whole Genome Sequencing**

340 DNA extracted from *S. Typhi* strains using GenElute™ Bacterial Genomic DNA Kit (Missouri,
341 United States) was prepared for whole genome sequencing by SeqCoast Genomics using an
342 Illumina DNA Prep tagmentation kit and unique dual indexes. Sequencing was performed on the
343 Illumina NextSeq2000 platform using a 300-cycle flow cell kit to produce 2x150bp paired reads
344 as previously described (39). PhiX control, 1-2%, was spiked into the run to support optimal base
345 calling. Read demultiplexing, read trimming, and run analytics were performed using DRAGEN
346 v3.10.12, an on-board analysis software on the NextSeq2000. Raw sequencing data generated
347 during this study are available in the National Center for Biotechnology Information (NCBI) public
348 data, BioProject ID PRJNA1101423.

349 **Genome Assembly and Annotation**

350 Quality-trimming of the reads was done using Trimmomatic (40). Read error was corrected using
351 SPAdes (41). Short (and long, if available) reads were assembled into contigs using SPAdes
352 (wrapped in Unicycler). Read mapping was done using Bowtie2 and SAMtools (wrapped in
353 Unicycler) (42–44) (<https://github.com/rwick/Porechop>). Pilon (wrapped in Unicycler) was used
354 in polishing of each assembly (45). Gene prediction and functional annotation was performed

355 using BAKTA (46). The annotation pipeline was as follows; prediction of protein-coding genes
356 using Prodigal, tRNA identification using tRNAscan-SE (47), tRNA and tmRNA identification
357 using Aragorn (48), prediction of rRNA sequences using Infernal and the Rfam database (49),
358 CRISPR prediction using PILER-CR (50), antimicrobial resistance gene identification using
359 AMRFinderPlus (51), prediction of signal peptides using DeepSig (52), prediction of transposases
360 using ISFinder (53) and computation of codon usage biases for each amino acid.

361 **Genotype Identification and Bacteria Clustering**

362 Identification and clustering of *S. Typhi* genotypes was performed using Pathogenwatch
363 (<https://pathogen.watch/>), a web-based platform with several different components (54,55). The
364 platform provides compatibility with *S. Typhi* typing information for MLST (56), in silico
365 serotyping (SISTR) (57), and a SNP genotyping scheme (GenoTyphi) (55). *S. Typhi* Assemblies
366 (in fasta format) were uploaded to the platform <https://pathogen.watch/upload/fasta> for the
367 analysis.

368 **Antimicrobial Susceptibility Testing**

369 Antimicrobial susceptibility testing was performed using the disk diffusion technique for all
370 antimicrobials commonly used in Kenya for typhoid fever treatment including ampicillin (10 µg),
371 tetracycline (30 µg), co-trimoxazole (25 µg), chloramphenicol (30 µg), amoxicillin-clavulanate
372 (20/10 µg), cefpodoxime 30 µg, ceftazidime (30 µg), ceftriaxone (30 µg), cefotaxime (30 µg),
373 azithromycin (15 µg), ciprofloxacin (5 µg), nalidixic acid (10 µg), kanamycin (30 µg) and
374 gentamicin (10 µg). The diameter of the zone of inhibition was measured after 18-24 hours and
375 results were interpreted according the Clinical and Laboratory Standards Institute (CLSI)
376 guidelines for *Salmonella* (CLSI 2023).

377 **Screening of Antimicrobial Resistance Genes**

378 NCBI Antimicrobial Resistance Gene Finder Plus (AMRFinderPlus)
379 (<https://github.com/ncbi/amr/wiki>), was used to identify acquired antimicrobial resistance genes
380 and known resistance-associated point mutations in *S. Typhi* assembled nucleotide sequences (51).
381 The results were compared with phenotypic susceptibility data.

382 **Variant Calling**

383 To identify genetic variations between the longitudinal clinical isolates, *S. Typhi* strains isolated
384 before each typhoid index case was treated with antibiotics were used as the reference genome,
385 and were compared with those isolated after treatment (follow-up isolates), and/or those isolated

386 from household contacts using breseq (58). The variant calling pipeline was as follows; quality-
387 filtering of raw reads using Trimmomatic (40), mapping of reads against a reference genome (first
388 strain isolated from the index case), analysis of possible mutations based on mapping data,
389 identification of mutations and graphical and tabular summaries of mutation profile across samples
390 (42).

391 **Plasmid Identification**

392 To identify plasmids in the isolated *S. Typhi* strains, a plasmid detection tool PLASMe was used
393 (<https://github.com/HubertTang/PLASMe>). The tool uses the alignment component in PLASMe
394 to identify closely related plasmids while diverged plasmids are predicted using order-specific
395 Transformer models (59).

396 **In Vitro Biofilm Formation Assays**

397 Because of the importance of biofilm formation on gallstones in chronic carriage (17,19) the
398 biofilm forming ability of all the 22 human *S. Typhi* isolates were tested under gallbladder
399 simulating conditions. *S. Typhi* biofilms were grown on non-treated polystyrene 96-well plates
400 (Corning, Kennebunkport, ME). To simulate growth conditions on gallstones, wells in two plates
401 were pre-coated with cholesterol by adding a solution of 5 mg/mL in 1:1 isopropanol:ethanol and
402 air-dried overnight. A pure colony of *S. Typhi* on an XLD agar plate was cultured in Tryptone Soy
403 Broth (TSB). Overnight (O/N) cultures in broth were normalized to OD₆₀₀=0.8, diluted 1:2500 in
404 TSB or TSB containing 2.5% human bile, and 100 µL/well were dispensed into the plates. The
405 plates were incubated at 25°C in a Fisherbrand™ nutating mixer (Thermo Fisher Scientific;
406 Hampton, NH) at 24 rpm for 96 hours. Media (TSB or TSB containing bile) was changed after
407 every 24 hours for consistent *S. Typhi* biofilm growth. Plates were emptied on the fourth day and
408 washed twice before heat fixing at 60°C for 1 hour. The biofilms were stained using a crystal violet
409 solution and acetic acid (33%) used to elute crystal violet before reading the OD₅₇₀. GraphPad
410 prism 9.5 was used to analyze the biofilm formation results. One way Analysis
411 of variance (ANOVA) was used to test level of significance in biofilm formation between the
412 different *S. Typhi* sub-lineages and in different conditions, i.e., biofilms in absence of cholesterol
413 and bile, in cholesterol coated plates in absence of bile, and in presence of cholesterol and bile.
414 Student's t-test was used to test level of significance in biofilm formation in strains isolated before
415 treatment vs last strains shed by the patient, P-values less than 0.05 (P<0.05) were considered
416 significant.

417 **Data Availability**

418 The whole genome sequences from all the 22 *S. Typhi* isolates were deposited to the National
 419 Center for Biotechnology Information (NCBI), GenBank accession numbers are shown in the table
 420 below (Table 5).

421 **Table 5.** GenBank accession numbers of analyzed *S. Typhi* sequences

Isolate No.	BioSample Accession	Whole Genome Sequence Accession	URL
Ai	SAMN40992305	JBCHCG000000000	https://www.ncbi.nlm.nih.gov/nuccore/JBCHCG000000000
Aii	SAMN40992306	JBCHCF000000000	https://www.ncbi.nlm.nih.gov/nuccore/JBCHCF000000000
Aiii	SAMN40992307	JBCHCE000000000	https://www.ncbi.nlm.nih.gov/nuccore/2725100554
Aiv	SAMN40992308	JBCHCD000000000	https://www.ncbi.nlm.nih.gov/nuccore/JBCHCD000000000
Av	SAMN40992309	JBCHCC000000000	https://www.ncbi.nlm.nih.gov/nuccore/JBCHCC000000000
Avi	SAMN40992310	JBCHCB000000000	https://www.ncbi.nlm.nih.gov/nuccore/JBCHCB000000000
Bi	SAMN40992311	JBCHCA000000000	https://www.ncbi.nlm.nih.gov/nuccore/JBCHCA000000000
Bii	SAMN40992312	JBCHBZ000000000	https://www.ncbi.nlm.nih.gov/nuccore/JBCHBZ000000000
Biii	SAMN40992313	JBCHBY000000000	https://www.ncbi.nlm.nih.gov/nuccore/JBCHBY000000000
Biv	SAMN40992314	JBCHBX000000000	https://www.ncbi.nlm.nih.gov/nuccore/JBCHBX000000000
Bv	SAMN40992315	JBCHBW000000000	https://www.ncbi.nlm.nih.gov/nuccore/JBCHBW000000000
Ci	SAMN40992316	JBCHBV000000000	https://www.ncbi.nlm.nih.gov/nuccore/JBCHBV000000000
Cii	SAMN40992317	JBCHBU000000000	https://www.ncbi.nlm.nih.gov/nuccore/JBCHBU000000000
Ciii	SAMN40992318	JBCHBT000000000	https://www.ncbi.nlm.nih.gov/nuccore/JBCHBT000000000
Civ	SAMN40992319	JBCHBS000000000	https://www.ncbi.nlm.nih.gov/nuccore/JBCHBS000000000
Di	SAMN40992320	JBCHBR000000000	https://www.ncbi.nlm.nih.gov/nuccore/JBCHBR000000000
Dii	SAMN40992321	JBCHBQ000000000	https://www.ncbi.nlm.nih.gov/nuccore/JBCHBQ000000000
Diii	SAMN40992322	JBCHBP000000000	https://www.ncbi.nlm.nih.gov/nuccore/JBCHBP000000000
Div	SAMN40992323	JBCHBO000000000	https://www.ncbi.nlm.nih.gov/nuccore/JBCHBO000000000
Dv	SAMN40992324	JBCHBN000000000	https://www.ncbi.nlm.nih.gov/nuccore/JBCHBN000000000
Dvi	SAMN40992325	JBCHBM000000000	https://www.ncbi.nlm.nih.gov/nuccore/JBCHBM000000000
Dvii	SAMN40992326	JBCHBL000000000	https://www.ncbi.nlm.nih.gov/nuccore/JBCHBL000000000

422

423 **Acknowledgements**

424 This research was financially supported by the National Institute of Health (NIH) National Institute
 425 of Allergy and infectious Diseases (Grants: R01 AI099525 and R01 AI116917).

426 **Conflict of Interest**

427 The authors declare that they have no competing interests.

428

429

References

- 430 1. Kariuki S, Dyson ZA, Mbae C, Ngetich R, Kawai SM, Wairimu C, Anyona S, Gitau M,
431 Onsare RS, Ongandi B. 2021. Multiple introductions of multidrug-resistant typhoid
432 associated with acute infection and asymptomatic carriage, Kenya. *Elife*10:e67852.
- 433 2. Kim CL, Cruz Espinoza LM, Vannice KS, Tadesse BT, Owusu-Dabo E, Rakotozandrindrainy
434 R, Jani IV, Teferei M, Bassiahi Soura A, Lunguya O. 2022. The burden of typhoid fever in
435 sub-Saharan Africa: a perspective. *Res Rep Trop Med*1–9.
- 436 3. Stanaway JD, Reiner RC, Blacker BF, Goldberg EM, Khalil IA, Troeger CE, Andrew JR,
437 Bhutta JR, Crump JA, Im J. 2019. The global burden of typhoid and paratyphoid fevers: a
438 systematic analysis for the Global Burden of Disease Study 2017. *Lancet Infect*
439 *Dis*19(4):369–81.
- 440 4. Pieters Z, Saad NJ, Antillón M, Pitzer VE, Bilcke J. 2018. Case fatality rate of enteric fever
441 in endemic countries: a systematic review and meta-analysis. *Clin Infect Dis*67(4):628–38.
- 442 5. Typhoid [Internet]. [cited 2024 May 30]. Available from: [https://www.who.int/news-](https://www.who.int/news-room/fact-sheets/detail/typhoid)
443 [room/fact-sheets/detail/typhoid](https://www.who.int/news-room/fact-sheets/detail/typhoid)
- 444 6. World Health Organization. Typhoid vaccines: WHO position paper, March 2018–
445 Recommendations. 2019. *Vaccine*37(2):214–6. Accessed May 2024.
- 446 7. Crump JA. 2019. Progress in typhoid fever epidemiology. *Clin Infect*
447 *Dis*68(Supplement_1):S4–9.
- 448 8. Parry CM, Thuy CT, Dongol S, Karkey A, Vinh H, Chinh NT, Duy PT, Thieu Nga TV,
449 Campbell JI, Van Minh Hoang N. 2010. Suitable disk antimicrobial susceptibility
450 breakpoints defining *Salmonella enterica* serovar Typhi isolates with reduced susceptibility
451 to fluoroquinolones. *Antimicrob Agents Chemother*54(12):5201–8.
- 452 9. Dougan G, Baker S. 2014. *Salmonella enterica* serovar Typhi and the pathogenesis of
453 typhoid fever. *Annu Rev Microbiol*68:317–36.
- 454 10. Ahirwar SK, Pratap CB, Patel SK, Shukla VK, Singh IG, Mishra OP, Kumar K, Singh TB,
455 Nath G. 2014. Acid exposure induces multiplication of *Salmonella enterica* serovar Typhi. *J*
456 *Clin Microbiol*52(12):4330–3.
- 457 11. Gaines S, Sprinz H, Tully JG, Tigertt WD. 1968. Studies on infection and immunity in
458 experimental typhoid fever: VII. The distribution of *Salmonella typhi* in chimpanzee tissue
459 following oral challenge, and the relationship between the numbers of bacilli and
460 morphologic lesions. *J Infect Dis*293–306.
- 461 12. Hoffman SA, Sikorski MJ, Levine MM. 2023. Chronic *Salmonella Typhi* carriage at sites
462 other than the gallbladder. *PLoS Negl Trop Dis*17(3):e0011168.
- 463 13. Dougan G, John V, Palmer S, Mastroeni P. 2011. Immunity to salmonellosis. *Immunol*
464 *Rev*240(1):196–210.
- 465 14. Steele-Mortimer O. 2008. The *Salmonella*-containing vacuole—moving with the times. *Curr*
466 *Opin Microbiol*11(1):38–45.
- 467 15. Marineli F, Tsoucalas G, Karamanou M, Androustos G. 2013. Mary Mallon (1869-1938) and
468 the history of typhoid fever. *Ann Gastroenterol Q Publ Hell Soc Gastroenterol*26(2):132.
- 469 16. Dongol S, Thompson CN, Clare S, Nga TVT, Duy PT, Karkey A, Arjyal A, Koirala S, Khatri
470 NS, Maskey P. 2012. The microbiological and clinical characteristics of invasive *Salmonella*
471 in gallbladders from cholecystectomy patients in Kathmandu, Nepal.

- 472 17. Gunn JS, Marshall JM, Baker S, Dongol S, Charles RC, Ryan ET. 2014. Salmonella chronic
473 carriage: epidemiology, diagnosis, and gallbladder persistence. *Trends Microbiol*22(11):648–
474 55.
- 475 18. Parry CM, Hien TT, Dougan G, White NJ, Farrar JJ. 2002. Typhoid fever.
- 476 19. Crawford RW, Rosales-Reyes R, Ramirez-Aguilar M de la L, Chapa-Azuela O, Alpuche-
477 Aranda C, Gunn JS. 2010. Gallstones play a significant role in Salmonella spp. gallbladder
478 colonization and carriage. *Proc Natl Acad Sci*107(9):4353–8.
- 479 20. Lovane L, Martínez MJ, Massora S, Mandomando I, Ussene E, Jordao D, Castillo P, Imail
480 MR, Lorenzoni C, Carrilho C. 2016. Carriage prevalence of Salmonella enterica serotype
481 Typhi in gallbladders of adult autopsy cases from Mozambique. *J Infect Dev*
482 *Ctries*10(04):410–2.
- 483 21. Gonzalez-Escobedo G, Marshall JM, Gunn JS. 2011. Chronic and acute infection of the gall
484 bladder by Salmonella Typhi: understanding the carrier state. *Nat Rev Microbiol*9(1):9–14.
- 485 22. Flemming HC, Wingender J. 2010. The biofilm matrix. *Nat Rev Microbiol*8(9):623–33.
- 486 23. Römling U, Balsalobre C. 2012. Biofilm infections, their resilience to therapy and innovative
487 treatment strategies. *J Intern Med*272(6):541–61.
- 488 24. Steenackers H, Hermans K, Vanderleyden J, De Keersmaecker SC. 2012. Salmonella
489 biofilms: an overview on occurrence, structure, regulation and eradication. *Food Res*
490 *Int*.45(2):502–31.
- 491 25. Gonzalez-Escobedo G, Gunn JS. 2013. Identification of Salmonella enterica serovar
492 Typhimurium genes regulated during biofilm formation on cholesterol gallstone surfaces.
493 *Infect Immun*81(10):3770–80.
- 494 26. An C, Chon H, Ku W, Eom S, Seok M, Kim S, Lee J, Kim D, Lee S, Koo H. 2022. Bile
495 acids: Major regulator of the gut microbiome. *Microorganisms*10(9):1792.
- 496 27. Staley C, Weingarden AR, Khoruts A, Sadowsky MJ. 2017. Interaction of gut microbiota
497 with bile acid metabolism and its influence on disease states. *Appl Microbiol*
498 *Biotechnol*101:47–64.
- 499 28. Neiger MR, González JF, Gonzalez-Escobedo G, Kuck H, White P, Gunn JS. 2019.
500 Pathoadaptive alteration of Salmonella biofilm formation in response to the gallbladder
501 environment. *J Bacteriol*201(14):10–1128.
- 502 29. Thanh Duy P, Thieu NTV, Nguyen Thi Nguyen T, Ngoc Dan Thanh H, Dongol S, Karkey A,
503 Carey M, Basnyat B, Dougan G, Rabaa MA. 2020. Gallbladder carriage generates genetic
504 variation and genome degradation in Salmonella Typhi. *PLoS Pathog*16(10):e1008998.
- 505 30. Maes M, Dyson ZA, Higginson EE, Fernandez A, Araya P, Tennant SM, Baker S, Lagos R,
506 Levine MM, Hormazabal JC. 2020. Multiple introductions of salmonella enterica serovar
507 typhi H58 with reduced fluoroquinolone susceptibility into Chile. *Emerg Infect*
508 *Dis*26(11):2736.
- 509 31. Pragasam AK, Pickard D, Wong V, Dougan G, Kang G, Thompson A, John J, Balaji V,
510 Mutreja A. 2020. Phylogenetic analysis indicates a longer term presence of the globally
511 distributed H58 haplotype of Salmonella Typhi in Southern India. *Clin Infect Dis*71(8):1856–
512 63.
- 513 32. Park SE, Pham DT, Boinett C, Wong VK, Pak GD, Panzner U, Espinoza LMC, von
514 Kalckreuth V, Im J, Schütt-Gerowitt H. 2018. The phylogeography and incidence of multi-
515 drug resistant typhoid fever in sub-Saharan Africa. *Nat Commun*9(1):5094.
- 516 33. Wong VK, Baker S, Pickard DJ, Parkhill J, Page AJ, Feasey NA, Kingsley RA, Thomson
517 NR, Keane JA, Weill F. 2015. Phylogeographical analysis of the dominant multidrug-

- 518 resistant H58 clade of Salmonella Typhi identifies inter-and intracontinental transmission
519 events. *Nat Genet*47(6):632–9.
- 520 34. González JF, Alberts H, Lee J, Doolittle L, Gunn JS. 2018. Biofilm formation protects
521 Salmonella from the antibiotic ciprofloxacin in vitro and in vivo in the mouse model of
522 chronic carriage. *Sci Rep*8(1):222.
- 523 35. Virlogeux I, Waxin H, Ecobichon C, Popoff MY. 1995. Role of the *viaB* locus in synthesis,
524 transport and expression of Salmonella typhi Vi antigen. *Microbiology*141(12):3039–47.
- 525 36. Zhang LF, Lepenies B, Nakamae S, Young BM, Santos RL, Raffatellu M, Cobb BA, Hiyoshi
526 H, Bäumlner AJ. 2022. The vi capsular polysaccharide of Salmonella typhi promotes
527 macrophage phagocytosis by binding the human c-type lectin DC-SIGN. *Mbio*13(6):e02733-
528 22.
- 529 37. Hu X, Chen Z, Xiong K, Wang J, Rao X, Cong Y. 2017. Vi capsular polysaccharide:
530 Synthesis, virulence, and application. *Crit Rev Microbiol*43(4):440–52.
- 531 38. Muturi P, Wachira P, Wagacha M, Mbae C, Kawai S, Muhammed M, Gunn JS, Kariuki S.
532 2024. Fecal Shedding, Antimicrobial Resistance and In Vitro Biofilm formation on
533 Simulated Gallstones by Salmonella Typhi Isolated from Typhoid Cases and Asymptomatic
534 Carriers in Nairobi, Kenya. *Int J Clin Microbiol*1(2):23–36.
- 535 39. Grant NA, Sontz JT, Waters CM. 2023. Deployment of a Vibrio cholerae ordered transposon
536 mutant library in a quorum-competent genetic background. *bioRxiv*
- 537 40. Bolger AM, Lohse M, Usadel B. 2014. Trimmomatic: a flexible trimmer for Illumina
538 sequence data. *Bioinformatics*30(15):2114–20.
- 539 41. Bankevich A, Nurk S, Antipov D, Gurevich AA, Dvorkin M, Kulikov AS, Lesin VM,
540 Nikolenko SI, Pham S, Prjibelski AD. 2012. SPAdes: a new genome assembly algorithm and
541 its applications to single-cell sequencing. *J Comput Biol*19(5):455–77.
- 542 42. Langmead B, Salzberg SL. 2012. Fast gapped-read alignment with Bowtie 2. *Nat*
543 *Methods*9(4):357–9.
- 544 43. Li H, Handsaker B, Wysoker A, Fennell T, Ruan J, Homer N, Marth G, Abecasis G, Durbin
545 R. 2009. The sequence alignment/map format and SAMtools. *bioinformatics*25(16):2078–9.
- 546 44. Wick RR, Judd LM, Gorrie CL, Holt KE. 2017. Unicycler: resolving bacterial genome
547 assemblies from short and long sequencing reads. *PLoS Comput Biol*13(6):e1005595.
- 548 45. Walker BJ, Abeel T, Shea T, Priest M, Abouelliel A, Sakthikumar S, Cuomo CA, Zeng Q,
549 Wortman J, Young SK .2014. Pilon: an integrated tool for comprehensive microbial variant
550 detection and genome assembly improvement. *PLoS One*9(11):e112963.
- 551 46. Schwengers O, Jelonek L, Dieckmann MA, Beyvers S, Blom J, Goesmann A. 2021. Bakta:
552 rapid and standardized annotation of bacterial genomes via alignment-free sequence
553 identification. *Microb Genomics*7(11):000685.
- 554 47. Chan PP, Lowe TM. 2019. tRNAscan-SE: searching for tRNA genes in genomic sequences.
555 *Springer*..
- 556 48. Laslett D, Canback B. 2004. ARAGORN, a program to detect tRNA genes and tmRNA
557 genes in nucleotide sequences. *Nucleic Acids Res*32(1):11–6.
- 558 49. Nawrocki EP, Eddy SR. 2013. Infernal 1.1: 100-fold faster RNA homology searches.
559 *Bioinformatics*29(22):2933–5.
- 560 50. Edgar RC. 2007. PILER-CR: fast and accurate identification of CRISPR repeats. *BMC*
561 *Bioinformatics*8:1–6.
- 562 51. Feldgarden M, Brover V, Gonzalez-Escalona N, Frye J, Haendiges J, Haft D, Hoffmann M,
563 Pettengill JB, Prasad AB, Tillman GE. 2021. AMRFinderPlus and the Reference Gene

- 564 Catalog facilitate examination of the genomic links among antimicrobial resistance, stress
565 response, and virulence. *Sci Rep*11: 12728.
- 566 52. Savojardo C, Martelli PL, Fariselli P, Casadio R. 2018. DeepSig: deep learning improves
567 signal peptide detection in proteins. *Bioinformatics*34(10):1690–6.
- 568 53. Siguier P, Pérochon J, Lestrade L, Mahillon J, Chandler M. 2006. ISfinder: the reference
569 centre for bacterial insertion sequences. *Nucleic Acids Res*34(suppl_1):D32–6.
- 570 54. Argimón S, Yeats CA, Goater RJ, Abudahab K, Taylor B, Underwood A, Sánchez-Busó L,
571 Wong VK, Dyson ZA, Nair S. 2021. A global resource for genomic predictions of
572 antimicrobial resistance and surveillance of *Salmonella* Typhi at pathogenwatch. *Nat*
573 *Commun*12(1):2879.
- 574 55. Wong VK, Baker S, Connor TR, Pickard D, Page AJ, Dave J, Murphy N, Holliman R, Sefton
575 A, Millar M. 2016. An extended genotyping framework for *Salmonella enterica* serovar
576 Typhi, the cause of human typhoid. *Nat Commun*7(1):12827.
- 577 56. Sharma P, Dahiya S, Balaji V, Kanga A, Panda P, Das R, Dhanraju A, Mendiratta DK, Sood
578 S, Das BK. 2016. Typhoidal salmonellae: Use of multi-locus sequence typing to determine
579 population structure. *PLoS One*11(9):e0162530.
- 580 57. Yoshida CE, Kruczkiewicz P, Laing CR, Lingohr EJ, Gannon VP, Nash JH, Taboada EN.
581 2016. The *Salmonella* in silico typing resource (SISTR): an open web-accessible tool for
582 rapidly typing and subtyping draft *Salmonella* genome assemblies. *PloS One*11(1):e0147101.
- 583 58. Deatherage DE, Barrick JE. 2014. Identification of mutations in laboratory-evolved microbes
584 from next-generation sequencing data using breseq. *Eng Anal Multicell Syst Methods*
585 *Protoc*165–88.
- 586 59. Tang X, Shang J, Ji Y, Sun Y. 2023. PLASMe: a tool to identify PLASMid contigs from
587 short-read assemblies using transformer. *Nucleic Acids Res*51(15):e83–e83.
- 588