

# ***Salmonella* Typhi Haplotype 58 (H58) Biofilm Formation and Genetic Variation in Typhoid Fever Patients with Gallstones in an Endemic Setting in Kenya**

Peter Muturi<sup>a,b</sup>, Peter Wachira<sup>b</sup>, Maina Wagacha<sup>b</sup>, Cecilia Mbae<sup>a</sup>, Susan Kawai<sup>a</sup>, Michael Mugo<sup>a</sup>, Musa Muhammed<sup>c</sup>, Juan F. González<sup>d</sup>, Samuel Kariuki<sup>a,e,f,#</sup>, John S. Gunn<sup>d,g##</sup>

<sup>a</sup>Centre for Microbiology Research, Kenya Medical Research Institute

<sup>b</sup>Department of Biology, University of Nairobi, Kenya

<sup>c</sup>Ministry of Health, Kenya

<sup>d</sup>Center for Microbial Pathogenesis, Abigail Wexner Research Institute at Nationwide Children's Hospital, Columbus, OH, USA

<sup>e</sup>Wellcome Sanger Institute, Cambridge, United Kingdom

<sup>f</sup>Drugs for Neglected Diseases initiative Eastern Africa, Nairobi, Kenya

<sup>g</sup>Infectious Diseases Institute, The Ohio State University, Columbus, OH, USA

**Running title:** *S. Typhi* genetic variation in asymptomatic carriers

#Co-Corresponding authors:

Samuel Kariuki, Ph.D.

Email: [samkariuki2@gmail.com](mailto:samkariuki2@gmail.com)

John S. Gunn, Ph.D.

Email: [John.Gunn@nationwidechildrens.org](mailto:John.Gunn@nationwidechildrens.org)



## Abstract

The causative agent of typhoid fever, *Salmonella enterica* serovar Typhi, is a human restricted pathogen. Human carriers, 90% of whom have gallstones in their gallbladder, continue to shed the pathogen after treatment. The genetic mechanisms involved in establishing the carrier state are poorly understood, but *S. Typhi* is thought to undergo specific genetic changes within the gallbladder as an adaptive mechanism. In the current study, we aimed to identify biofilm forming ability and the genetic differences in longitudinal clinical *S. Typhi* isolates from asymptomatic carriers with gallstones in Nairobi, Kenya. Whole genome sequences were analyzed from 22 *S. Typhi* isolates, 20 from stool and 2 from blood samples, all genotype 4.3.1 (H58). Nineteen strains were from four patients also diagnosed with gallstones, of whom, three had typhoid symptoms and continued to shed *S. Typhi* after treatment. All isolates had point mutations in the quinolone resistance determining region (QRDR) and only sub-lineage 4.3.1.2EA3 encoded multidrug resistance genes. There was no variation in antimicrobial resistance patterns among strains from the same patient/household. Non-multidrug resistant (MDR), isolates formed significantly stronger biofilms *in vitro* than the MDR isolates,  $p < 0.001$ . A point mutation within the *treB* gene (*treB* A383T) was observed in strains isolated after clinical resolution from patients living in 75% of the households. Missense mutations in Vi capsular polysaccharide genes, *tviE* P263S was also observed in 18% of the isolates. This study provides insights into the role of typhoid carriage, biofilm formation, AMR genes and genetic variations in *S. Typhi* from asymptomatic carriers.

## Importance

Although typhoid fever has largely been eliminated in high income countries, it remains a major global public health concern especially among low- and middle-income countries. The bacteria responsible for this infectious disease, *Salmonella Typhi*, has limited ability to replicate outside the human host and human carriers serve as a reservoir of infection. Typhoid is a common infection in parts of sub-Saharan Africa and Asia, and is endemic in our study setting. Our research findings on differences in *S. Typhi* strains causing typhoid fever and carriage will influence public health approaches aimed at reducing carriage and transmission of *S. Typhi*.

**Key Words:** *Salmonella Typhi*, AMR genes, genetic variation, biofilm, carriage



## Introduction

Typhoid fever (typhoid), a life-threatening systemic infection caused predominantly by *Salmonella enterica* subspecies *enterica* serotype Typhi (*S. Typhi*), remains a common infection and a public health concern in resource poor-settings in parts of sub-Saharan Africa and Asia (1–3). An estimated 9 million new typhoid fever cases occur each year, of which 2–3% results in death even with adequate antibiotics therapy (4,5). Typical symptoms manifest between 1 and 3 weeks post-infection and encompass elevated prolonged fever, headache, malaise, abdominal pain, diarrhea, constipation, hypersplenism and rose-colored spots on the chest (6). *S. Typhi* is transmitted via the fecal-oral route in settings with poor standards of sanitation, low levels of hygiene and inadequate water supply (7,8). Besides inadequate resources, typhoid endemic settings lack a quality public health infrastructure (9).

Upon ingestion of contaminated food or water, *S. Typhi* bacteria that survive the hostile gastric acid rich environment in the stomach, are able to replicate in the new host (9,10). The typhoid bacilli can invade the intestinal mucosa, typically through microfold (M) cells, and establish an initially clinically undetectable infection involving significant systemic dissemination and a transient primary bacteremia (9). *S. Typhi* also reach the gallbladder hematogenously during primary bacteremia or shortly thereafter through infected hepatic bile entering the gallbladder (11,12). *S. Typhi* bacteria can survive, replicate and evade immune surveillance intracellularly within a modified phagosome known as *Salmonella*-containing vacuole (SCV) (13,14).

Although the majority of patients recover from typhoid fever after an appropriate treatment, some individuals become asymptomatic carriers and shed the infectious typhoid bacilli intermittently in their faeces for an ill-defined period of time after apparent clinical resolution. Since the early 20<sup>th</sup> century, asymptomatic carriage has been demonstrated to be a source of transmission of typhoid fever, including in the famous case of Mary Mallon (15). Generally, ~2–5% of acute typhoid cases fail to clear the infection fully within one year and develop asymptomatic chronic carriage (16–18). Approximately 90% of typhoid chronic carriers have gallstones in their gallbladder (19,20).

Persistent colonization of the gallbladder by *S. Typhi* is facilitated by formation of biofilms on the surface of cholesterol gallstones (19,21). Biofilms are organized three-dimensional multicellular communities encased in self-produced extracellular polymeric substances (EPS) comprised of polysaccharides, extracellular DNA [eDNA], proteins and lipids (22). Biofilms account for 80% of chronic infections in humans, leading to increased rates of hospitalization, high health care



costs, and increased mortality and morbidity rates (23). Bacteria in a biofilm are protected from certain environmental stresses, such as osmotic shifts, oxidative stress, metal toxicity, dehydration, radiation, host immunity, antimicrobial agents, and disinfectants (24). Chronic *S. Typhi* colonization usually cannot be resolved with antibiotics; gallbladder resection is the only option, although not always effective (21). Biofilm formation leads to continuous shedding and reattachment of planktonic cells, followed by bacteria diffusion in urine and faeces (19,25). Since *S. Typhi* is a human-restricted pathogen, gallbladder colonization and fecal shedding form a central dogma for further transmission and persistence of typhoid fever.

In the gallbladder, *S. Typhi* is exposed to bile, a complex digestive secretion comprised of bile acids, bilirubin, phospholipids and cholesterol, that exhibit strong antimicrobial properties (26,27). The molecular mechanisms involved in establishing the carrier state are poorly understood; however *S. Typhi* is thought to undergo genetic changes within the gallbladder as an adaptive mechanism (21,28,29).

Although it is widely accepted that *S. Typhi* carriers contribute to typhoid transmission in endemic settings, little progress has been made in understanding typhoid carrier state. The current study, we aimed at identifying the genetic differences in longitudinal clinical *S. Typhi* isolates from carriers, in a typhoid endemic setting in Nairobi, Kenya.

## RESULTS

### Genotype Identification and Clustering Tree

Since the *S. Typhi* population is highly structured, with dozens of subclades being associated with specific geographical regions and antimicrobial resistance patterns, the genotypes causing asymptomatic carriage in the current study settings were identified. All 22 bacteria isolates were genotype 4.3.1 (*S. Typhi* Haplotype 58 [H58]). Within this genotype, 11 of the isolates (from 2/4 of the households) fell under the lineage 4.3.1.1 (from households A and B) while the remaining 11 isolates (from households C and D) belong to lineage 4.3.1.2 (Figure 1). Lineage 4.3.1.2 strains were further grouped into two sub-lineages, 4.3.1.2EA2 (4 isolates from the index case in household C) and 4.3.1.2EA3 (7 isolates from an index case in household D). Each patient shed typhoid bacilli belonging to only one lineage/sub-lineage. From household A, isolates (i)-(v) were from an index case while isolate (vi) was from a household contact. Isolates (i) and (ii), household B, were from index case while (iii), (iv) and (v) were from an asymptomatic household contact living with the index case. All the *S. Typhi* strains were isolated from stool samples apart from

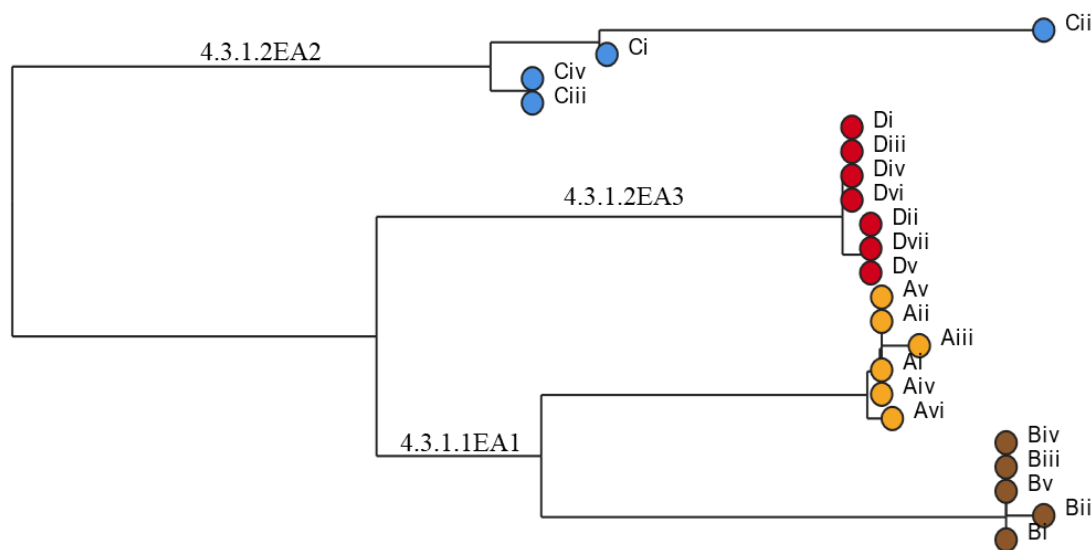


two, isolate (i) from household B, and isolate (i) from household D, which were isolated from blood samples. The time of isolation/shedding of each isolate is shown in Table 1. Assembled genomes can be accessed in NCBI database, BioProject ID PRJNA1101423, GenBank accession numbers are shown in the data availability section.

**Table 1.** Time of isolation/shedding of *S. Typhi*.

Household	Category of Study participant	Time of isolation of <i>S. Typhi</i> isolates (No. of days after the index case was diagnosed with typhoid fever)						
		(i)	(ii)	(iii)	(iv)	(v)	(Vi)	(vii)
A	Index case*	0	31	35	39	88	-	-
	Household contact	-	-	-	-	-	31	-
B	Index case	0	0	-	-	-	-	-
	Household *	-	-	29	33	40	-	-
C	Index case*	0	22	78	170	-	-	-
D	Index case*	0	21	24	28	35	76	107

\*Patients with gallstones in their gallbladder. Index cases had symptoms at the time of recruitment while household contacts were asymptomatic and living with a typhoid fever acute case



**Figure 1.** Clustering tree for *S. Typhi* strains isolated from the study participants living in the different households as generated using the pathogenwatch database and visualized using microreact. Roman numbers indicate specific isolates from the different households (A, B, C and D). Isolates from each household are shown by specific leaf nodes color. Branch tips are color-coded according to the household of isolation. The bar represents branch length scale bar. The tree can be visualized here <https://microreact.org/project/s3biz8PE9LDnFayjco22MZ-s-typhi-kenya-2023>.



## Antimicrobial Resistance Genes

Different antimicrobial resistance patterns were observed in the isolated *S. Typhi* strains. The seven isolates belonging to sub-lineage 4.3.1.2EA3 (from Household D) were multidrug resistant, all expressed the following acquired antimicrobial resistance genes; *sul1*, *dfrA7*, *catA1*, *aph(6)-Id*, *aph(3'')-Ib*, *sul2* and *bla<sub>TEM-1</sub>*, and a point mutation in the Quinolone Resistance Determining Region (QRDR) of *gyrA* (*gyrA* S83Y). Phenotypic susceptibility data showed that these seven isolates were resistant to ampicillin, chloramphenicol, trimethoprim-sulfamethoxazole and nalidixic acid but non-susceptible to ciprofloxacin. The four sub-lineage 4.3.1.2EA2 isolates (*S. Typhi* strains from Household C) had a *gyrB* S464F mutation in the QRDR, and all were non-susceptible to nalidixic acid and ciprofloxacin according to phenotypic susceptibility results. The third group, lineage 4.3.1.1, had six strains (Household A isolates) with a *gyrB* S464F mutation, also demonstrating non-susceptibility to nalidixic acid and ciprofloxacin. The other five lineage 4.3.1.1 strains (household B isolates) had *gyrA* S83F mutations in the QRDR, and showed resistance to nalidixic acid and non-susceptibility to ciprofloxacin (Table 2).

**Table 2.** Antibiotic resistance profiles in isolated *S. Typhi*.

Antimicrobial Resistance (AMR)			<i>Salmonella Typhi</i> Isolates N (%)			
Resistance Pattern	AMR genes	Antibiotics	Household A (4.3.1.1EA1)	Household B (4.3.1.1EA1)	Household C (4.3.1.2EA2)	Household D (4.3.1.2EA3)
MDR	<i>sul1</i> , <i>dfrA7</i> , <i>catA1</i> , <i>aph(6)-Id</i> , <i>aph(3'')-Ib</i> , <i>sul2</i> , <i>bla<sub>TEM-1</sub></i> and point mutation on DNA gyrase sub-unit A ( <i>gyrA</i> S83Y)	Resistant to AMP, SXT, CHL and NAL, and reduced susceptibility to CIP	-	-	-	7/7 (100%)
Non-MDR	Point mutation on DNA gyrase sub-unit A ( <i>gyrA</i> S83F)	Resistant to NAL and reduced susceptibility to CIP	-	5/5 (100%)	-	-
	Point mutation on DNA gyrase sub-unit B ( <i>gyrB</i> S464F)	Reduced susceptibility to NAL and CIP	6/6 (100%)	-	4/4 (100%)	-

MDR=Multidrug resistant

AMP=Ampicillin, SXT= Sulfamethoxazole-trimethoprim, CHL= Chloramphenicol, NAL= Nalidixic acid, CIP= Ciprofloxacin.

*sul1* and *sul2* mediates resistance to sulfonamide, *bla<sub>TEM-1</sub>* encodes broad-spectrum β-lactamase, *aph(6)-Id* and *aph(3'')-Ib* confer resistance to streptomycin, *dfrA7* confers resistance to trimethoprim, and *catA1* confers resistance to chloramphenicol.



## Variant Calling

When comparing genome sequences among the isolates, missense mutations were observed in a gene that codes for Trehalose Phosphotransferase System (PTS), trehalose transporter subunit IIBC, *treB* gene (*treB* A383T), in 3/7 sub-lineage 4.3.1.2EA3 (Household D) isolates and in *tviE* gene (*tviE* P263S), which codes for the gene coding for biosynthesis of Vi polysaccharide biosynthesis protein TviE, in 4/7 isolates in the same group, while 2/7 had both mutations (*treB* A383T and *tviE* P263S), (Table 3). A nonsense mutation was observed in 1/7 of the sub-lineage 4.3.1.2EA3 isolates in the BCKKFA\_12280 locus (E237\*) that codes for integrase/transposase family protein. The first follow-up isolate (*S. Typhi* sub-lineage 4.3.1.2EA2) from the index case living in household C (C ii) had a total of 16 mutations, of which 7 were silent, 8 missense mutations and a deletion in *mutL* gene that codes for DNA mismatch repair endonuclease MutL (Table 3 and Supplementary files 2 and 3). The second and third follow-up isolates from the same patient (C iii and C iv) had two silent mutations, one in the *yccC* gene that codes for putative membrane protein YccC and *tehA* gene that codes for dicarboxylate transporter/tellurite-resistance protein TehA (*tehA* A124A and *yccC* R199R mutations respectively) and missense mutations in the *amiA* gene that codes for N-acetylmuramoyl-L-alanine amidase AmiA (*amiA* V145A mutation). An additional mutation was observed in the LEJNAJ\_18700 locus (K124E) that encodes for 4-hydroxyphenylacetate permease. The second follow-up isolate from the patient in household C (C iii) had a third missense mutation in the LEJNAJ\_10515 locus (D78G) that encodes phage baseplate assembly protein V. The follow-up lineage 4.3.1.1 strains, which were isolated from households A and B, also had a few mutations. While no mutation was detected in the first follow-up sample from the index case in household A, the second follow-up sample (A iii) had a single nucleotide polymorphism in the *crl* gene (*crl* L38P), *crl* codes for sigma factor-binding protein Crl. The third and fourth follow-up *S. Typhi* isolates from the same patient (A iv and A v) had a silent mutation in the *tnpA* gene (*tnpA* Y41Y) that codes for IS200/IS605 family transposase (Supplementary file 1). From the same household, an *S. Typhi* strain isolated from a household contact's stool sample (A vi) had a missense mutation in the *treB* gene (*treB* A383T). *S. Typhi* bacteria isolated from the stool of the index case living in household B before treatment (isolate ii), had a missense mutation in the *waaK* gene (*waaK* P167L) that codes for lipopolysaccharide N-acetylglucosaminyltransferase, compared to the strain from blood sample collected on the same day (Supplementary file 2).



**Table 3.** Missense mutations in *S. Typhi* strains isolated from index cases after apparent clinical resolution and from asymptomatic household contacts.

Gene/Locus	Seq Change	Household A 4.3.1.1EA1				Household B 4.3.1.1EA1				Household C 4.3.1.2EA2			Household D 4.3.1.2EA3						
		ii	iii	iv	v	vi	ii	iii	iv	v	ii	iii	iv	ii	iii	iv	v	vi	vii
<i>crL</i>	L38P		✓																
<i>treB</i>	A383T					✓					✓			✓			✓		✓
<i>waaK</i>	P167L						✓												
BCKKFA_12280	E237*														✓				
<i>tviE</i>	P263S															✓	✓	✓	✓
LEJNAJ_01195	M224V										✓								
<i>yhhY</i>	R73H										✓								
LEJNAJ_13650	R51W										✓								
<i>yihT</i>	R270C										✓								
<i>rfbP</i>	D196G										✓								
<i>galR</i>	Y98H										✓								
<i>dnaE</i>	E953G										✓								
LEJNAJ_18700	K124E											✓	✓						
<i>amiA</i>	V145A											✓	✓						
LEJNAJ_10515	D78G											✓							
Roman numbers in red represent isolates from household contacts. ✓ indicates isolates with observed missense mutations.																			

### Plasmid Identification

*S. Typhi* genotype 4.3.1 lineages/sub-lineages identified in this study were found to contain plasmids. A total of 22 different plasmids were identified, 12/22 of these had sequences corresponding to known *Salmonella* species plasmids, 6/22 had sequences corresponding to *Escherichia coli* plasmids, 2/22 corresponding to *Klebsiella pneumoniae* plasmids, 1/22 corresponding to *Enterobacter kobei* and 1/22 an *Escherichia albertii* plasmid (Table 4). Out of the 22 plasmids, 8/22 were detected in all 22 *S. Typhi* strains. The eight plasmids include *Salmonella* Infantis strain CFSAN003307 plasmid pCFSAN003307, *Salmonella* Senftenberg strain NCTC10384 plasmid 4, *E. coli* strain 13TMH22 plasmid p13TMH22-1, *Salmonella* enterica subsp. enterica serovar 1,4,[5],12:i:- strain PNCS014880 plasmid p16-6773.2, *S. Typhi* strain ERL11909 plasmid 3, *Salmonella* Typhimurium strain AUSMDU00027951 isolate AUSMDU00027951 plasmid P02, *Salmonella* Weltevreden plasmid pSH17G0407 and *S. Senftenberg* strain NCTC10384 plasmid 3. Plasmids with sequences corresponding to *E. coli* strain 88COLEC plasmid p88COLEC-1 and *E. coli* strain 13P477T plasmid p13P477T-2 were only detected in lineage 4.3.1.2EA2 (Household C) isolates, in 4/4 and 2/4 of the strains respectively. The *E. albertii* strain 2014C-4356 plasmid unnamed6 was only found in 1/11 of lineage 4.3.1.1



214 isolates while *Salmonella* Uganda strain CFSAN006208 plasmid pCFSAN006208\_1 was detected  
 215 in 1/11 of lineage 4.3.1.1 isolates. Sequences corresponding to five known plasmids, *Salmonella*  
 216 Enteritidis strain 81-1705 plasmid pSE81-1705-3, *S. Typhi* strain 311189\_252186 plasmid  
 217 pHCM1, *E. coli* NES6 plasmid pN-ES-6-1, *K. pneumoniae* strain RIVM\_C018860 plasmid  
 218 pRIVM\_C018860\_2 and *K. pneumoniae* strain 03108465-40B plasmid pKpQIL, were detected in  
 219 7/7 of sub-group 4.3.1.2EA3 strains but not in the other sub-groups.

220 Genes conferring multidrug resistance in *S. Typhi* were detected in two different plasmids  
 221 identified in sub-group 4.3.1.2EA3 (Household D) strains. The antimicrobial resistance genes *sul1*,  
 222 *dfrA*, *catA1*, *aph(6)-Id*, *aph(3'')-Ib* and *sul2* were detected in a plasmid with sequences  
 223 corresponding to *S. Typhi* strain 311189\_252186 plasmid pHCM1, while *bla<sub>TEM-1</sub>* was detected in  
 224 a plasmid with sequences corresponding to *E. coli* NES6 plasmid pN-ES-6-1. None of the plasmids  
 225 in isolates from households A, B and C had identifiable antimicrobial resistance genes.



226 **Table 4.** Bacterial plasmids detected in isolated *S. Typhi* strains.

GenBank Accession number of plasmids with similar sequences	Origin/Description	Number of isolates per household with identified plasmid/s			
		HH A	HH B	HH C	HH D
NZ_CP019203.1	<i>Salmonella</i> Infantis strain CFSAN003307 plasmid pCFSAN003307	6/6	5/5	4/4	7/7
NZ_LN868946.1	<i>Salmonella</i> Senftenberg strain NCTC10384 plasmid 4	6/6	5/5	4/4	7/7
NZ_CP019257.1	<i>Escherichia coli</i> strain 13TMH22 plasmid p13TMH22-1	6/6	5/5	4/4	7/7
NZ_CP039862.1	<i>Salmonella enterica</i> subsp. <i>enterica</i> serovar 1,4,[5],12:i:- strain PNCS014880 plasmid p16-6773.2	6/6	5/5	4/4	7/7
NZ_LT904874.1	<i>Salmonella</i> Typhi strain ERL11909 plasmid 3	6/6	5/5	4/4	7/7
NZ_OU015330.1	<i>Salmonella</i> Typhimurium strain AUSMDU00027951 isolate AUSMDU00027951 plasmid P02,	6/6	5/5	4/4	7/7
NZ_MW405382.1	<i>Salmonella</i> Weltevreden plasmid pSH17G0407	6/6	5/5	4/4	7/7
NZ_LN868945.1	<i>Salmonella</i> Senftenberg strain NCTC10384 plasmid 3	6/6	5/5	4/4	7/7
CP075030.1	<i>Salmonella</i> Abortusequi strain CFSAN022626 plasmid pCFSAN022626	5/6	4/5	4/4	7/7
CP074288.1	<i>Salmonella</i> Uganda strain CFSAN006208 plasmid pCFSAN006208_1	1/6	-	-	-
NZ_CP043512.1	<i>Enterobacter kobei</i> strain EB_P8_L5_01.19 plasmid unnamed1	2/6	1/5	2/4	3/7
NZ_CP026725.1	<i>Escherichia coli</i> strain 266917_2 plasmid p266917_2_02	3/6	3/5	2/4	4/7
NZ_CP022733.1	<i>Escherichia coli</i> strain SA186 plasmid pSA186_4	4/6	4/5	2/4	6/7
NZ_CP040702.1	<i>Salmonella</i> Weltevreden strain 3 isolate CFSAN047349 plasmid unnamed	3/6	4/5	4/4	7/7
NZ_CP024288.1	<i>Escherichia albertii</i> strain 2014C-4356 plasmid unnamed6	-	1/5	-	2/7
NZ_CP070907.1	<i>Escherichia coli</i> strain 88COLEC plasmid p88COLEC-1	-	-	4/4	-
NZ_CP019275.1	<i>Escherichia coli</i> strain 13P477T plasmid p13P477T-2	-	-	2/4	-
NZ_CP018654.1	<i>Salmonella</i> Enteritidis strain 81-1705 plasmid pSE81-1705-3	-	-	-	7/7
*NZ_CP029895.1	<i>Salmonella</i> Typhi strain 311189_252186 plasmid pHCM1	-	-	-	7/7
*LC553463.1	<i>Escherichia coli</i> NES6 plasmid pN-ES-6-1	-	-	-	7/7
NZ_CP068928.1	<i>Klebsiella pneumoniae</i> strain RIVM_C018860 plasmid pRIVM_C018860_2	-	-	-	7/7
MT809700.1	<i>Klebsiella pneumoniae</i> strain 03108465-40B plasmid pKpQIL	-	-	-	7/7

HH=Household

\*Plasmids with antimicrobial resistance genes

227

228

229









250

255 **Discussion**

261 endemic setting in Nairobi, Kenya. *S. Typhi* H58 is the most dominant genotype in many parts of



Southeast and South Asia as well as in East Africa and has spread globally (32,33). Three H58 east African subgroups (4.3.1.1EA1, 4.3.1.2EA2, 4.3.1.2EA3) previously reported circulating in the current study setting by our group (1), were the main lineages/sub-lineages shed by the cholelithiasis patients. The most abundant subgroup was 4.3.1.1EA1 with 11/22 (50%) isolates, originating from individuals living in two different households. In one of these households, an acute case shed an *S. Typhi* belonging to the same sub-group as an asymptomatic household contact who was also diagnosed with gallstones. This suggests possible transmission of the pathogen by the carrier to the household contact (household B). From a different household, a typhoid patient also diagnosed with gallstones continued to shed sub-lineage 4.3.1.2EA2, while in the fourth household, *S. Typhi* sub-lineage 4.3.1.2EA3 strains were isolated from stool samples collected from an acute case after treatment. Unlike the other two sub-groups, the sub-lineage 4.3.1.2EA3 strains had MDR genes, showing resistance to ampicillin, sulfamethoxazole-trimethoprim and chloramphenicol. MDR isolates had more plasmids, 19, compared to the 14 plasmids in non-MDR isolates, from 4.3.1.1EA1 and 15 plasmids from 4.3.1.2EA2. The seven sub-lineage 4.3.1.2EA3 strains had the MDR genes detected in identified plasmids. All 22 *S. Typhi* isolates had point mutations in the QRDR, conferring reduced susceptibility to ciprofloxacin, a drug of choice for treating typhoid fever. There was no variation noted in antimicrobial resistance patterns among strains isolated from the patients in the same household.

Multidrug resistance genes were not detected in 4.3.1.1EA1 and 4.3.1.2EA2 *S. Typhi* genomes, but the strains belonging to these subgroups formed significantly stronger biofilms as compared to the MDR sub-lineage 4.3.1.2EA3 strains. Biofilms act as physical barrier protecting bacteria from killing by antimicrobials including antibiotics. A previous study demonstrated the role of biofilms in protecting *Salmonella* from ciprofloxacin (34). We hypothesize that the 4.3.1.1EA1 and 4.3.1.2EA2 sub-lineages form better biofilms to counteract the absence of antimicrobial resistance factors, or conversely, that lineage 4.3.1.2EA3 has lost biofilm-related genes because it possesses more plasmids/genes encoding strong antimicrobial resistance. To the best of our knowledge, this is the first study comparing biofilm forming ability in different *S. Typhi* lineages. The mechanism leading to differences in biofilm formation in isolates from the same genotype will need to be further investigated.

Genetic variations were observed in *S. Typhi* from asymptomatic carriers, with a *treB* A383T point mutation being observed in at least one isolate from each of the four households. The *treB* gene



codes for PTS trehalose transporter subunit IIBC. As seen in Table 3, household B, some of the mutations observed in the first follow-up isolate were not detected in *S. Typhi* strains isolated during the consecutive follow-ups. However, some mutations were observed in more than one strain isolated from the same patient. From the patient shedding sub-lineage 4.3.1.2EA3 strains, the *tviE* P263S mutation was observed in the fourth isolate and all strains isolated thereafter. This suggests that some of the mutations are maintained in the population during the asymptomatic carriage, while others are not. Although no strain was isolated directly from gallbladder in our study, mutations in the *tviE* gene was also observed in *S. Typhi* gallbladder genome sequences in a previous study (29). The *tviE* gene facilitates the polymerization and translocation of the Vi capsule (35). Vi capsular polysaccharide, an antiphagocytic capsule, covers the surface of *S. Typhi* allowing it to selectively evade phagocytosis by human neutrophils while promoting human macrophage phagocytosis (36). This crucial virulence factor in *S. Typhi* (Vi) also plays a key role in the development of vaccines against typhoid fever (37). However, additional research will be required to understand if this mutation alters the expression of Vi antigen to benefit *S. Typhi* pathogenesis or chronic carriage.

The main limitation in this study is lack of availability of isolates from gallbladder samples from patients shedding *S. Typhi* for comparison with those isolated from stool and blood samples. There were also no *S. Typhi* belonging to other genotypes for comparison purposes.

## Conclusion

The resistance patterns in *S. Typhi* did not change during the duration of asymptomatic carriage in study participants, but these individuals continued to shed and transmit drug resistant strains of this pathogen. Mutations in *S. Typhi* were observed to occur during carriage including those in the Vi antigen locus. Sub-lineages analyzed in this study that were not multidrug resistant, showed the ability to form stronger biofilms than the multidrug resistant strains. This study provides some insights into mutations, drug resistance and biofilm formation during typhoid carriage, and this information may be used to influence public health approaches aimed at reducing carriage and transmission of *S. Typhi*.



## Methods

### Source of Bacteria strains

The whole genome sequences of 22 *S. Typhi* strains isolated from blood and stool samples of six patients living in four different households in Mukuru informal settlement, a typhoid endemic area in Nairobi, Kenya, were analyzed. Nineteen of these strains were from four patients who were also diagnosed with cholelithiasis, of whom, three had typhoid symptoms and continued to shed *S. Typhi* after treatment. The presence of gallstones was confirmed through an ultrasound scan, the primary imaging modality performed by a radiologist used to evaluate patients suspected of having gallbladder disease. One of the patients with gallstones was asymptomatic but shedding *S. Typhi* and living in the same household (household B) with an acute typhoid fever case (not diagnosed with gallstones). In a different household (household A), a study participant (household contact) not diagnosed with cholelithiasis shed *S. Typhi* once. The index case from this household was diagnosed with cholelithiasis and continued to shed *S. Typhi* after treatment with antibiotics. Laboratory methods on isolation and identification of the isolates are as described in our previous publication (38).

### Whole Genome Sequencing

DNA extracted from *S. Typhi* strains using GenElute™ Bacterial Genomic DNA Kit (Missouri, United States) was prepared for whole genome sequencing by SeqCoast Genomics using an Illumina DNA Prep tagmentation kit and unique dual indexes. Sequencing was performed on the Illumina NextSeq2000 platform using a 300-cycle flow cell kit to produce 2x150bp paired reads as previously described (39). PhiX control, 1-2%, was spiked into the run to support optimal base calling. Read demultiplexing, read trimming, and run analytics were performed using DRAGEN v3.10.12, an on-board analysis software on the NextSeq2000. Raw sequencing data generated during this study are available in the National Center for Biotechnology Information (NCBI) public data, BioProject ID PRJNA1101423.

### Genome Assembly and Annotation

Quality-trimming of the reads was done using Trimmomatic (40). Read error was corrected using SPAdes (41). Short (and long, if available) reads were assembled into contigs using SPAdes (wrapped in Unicycler). Read mapping was done using Bowtie2 and SAMtools (wrapped in Unicycler) (42–44) (<https://github.com/rwick/Porechop>). Pilon (wrapped in Unicycler) was used in polishing of each assembly (45). Gene prediction and functional annotation was performed



using BAKTA (46). The annotation pipeline was as follows; prediction of protein-coding genes using Prodigal, tRNA identification using tRNAscan-SE (47), tRNA and tmRNA identification using Aragorn (48), prediction of rRNA sequences using Infernal and the Rfam database (49), CRISPR prediction using PILER-CR (50), antimicrobial resistance gene identification using AMRFinderPlus (51), prediction of signal peptides using DeepSig (52), prediction of transposases using ISFinder (53) and computation of codon usage biases for each amino acid.

### **Genotype Identification and Bacteria Clustering**

Identification and clustering of *S. Typhi* genotypes was performed using Pathogenwatch (<https://pathogen.watch/>), a web-based platform with several different components (54,55). The platform provides compatibility with *S. Typhi* typing information for MLST (56), in silico serotyping (SISTR) (57), and a SNP genotyping scheme (GenoTyphi) (55). *S. Typhi* Assemblies (in fasta format) were uploaded to the platform <https://pathogen.watch/upload/fasta> for the analysis.

### **Antimicrobial Susceptibility Testing**

Antimicrobial susceptibility testing was performed using the disk diffusion technique for all antimicrobials commonly used in Kenya for typhoid fever treatment including ampicillin (10 µg), tetracycline (30 µg), co-trimoxazole (25 µg), chloramphenicol (30 µg), amoxicillin-clavulanate (20/10 µg), cefpodoxime 30 µg, ceftazidime (30 µg), ceftriaxone (30 µg), cefotaxime (30 µg), azithromycin (15 µg), ciprofloxacin (5 µg), nalidixic acid (10 µg), kanamycin (30 µg) and gentamicin (10 µg). The diameter of the zone of inhibition was measured after 18-24 hours and results were interpreted according the Clinical and Laboratory Standards Institute (CLSI) guidelines for *Salmonella* (CLSI 2023).

### **Screening of Antimicrobial Resistance Genes**

NCBI Antimicrobial Resistance Gene Finder Plus (AMRFinderPlus) (<https://github.com/ncbi/amr/wiki>), was used to identify acquired antimicrobial resistance genes and known resistance-associated point mutations in *S. Typhi* assembled nucleotide sequences (51). The results were compared with phenotypic susceptibility data.

### **Variant Calling**

To identify genetic variations between the longitudinal clinical isolates, *S. Typhi* strains isolated before each typhoid index case was treated with antibiotics were used as the reference genome, and were compared with those isolated after treatment (follow-up isolates), and/or those isolated



from household contacts using breseq (58). The variant calling pipeline was as follows; quality-filtering of raw reads using Trimmomatic (40), mapping of reads against a reference genome (first strain isolated from the index case), analysis of possible mutations based on mapping data, identification of mutations and graphical and tabular summaries of mutation profile across samples (42).

### **Plasmid Identification**

To identify plasmids in the isolated *S. Typhi* strains, a plasmid detection tool PLASMe was used (<https://github.com/HubertTang/PLASMe>). The tool uses the alignment component in PLASMe to identify closely related plasmids while diverged plasmids are predicted using order-specific Transformer models (59).

### **In Vitro Biofilm Formation Assays**

Because of the importance of biofilm formation on gallstones in chronic carriage (17,19) the biofilm forming ability of all the 22 human *S. Typhi* isolates were tested under gallbladder simulating conditions. *S. Typhi* biofilms were grown on non-treated polystyrene 96-well plates (Corning, Kennebunkport, ME). To simulate growth conditions on gallstones, wells in two plates were pre-coated with cholesterol by adding a solution of 5 mg/mL in 1:1 isopropanol:ethanol and air-dried overnight. A pure colony of *S. Typhi* on an XLD agar plate was cultured in Tryptone Soy Broth (TSB). Overnight (O/N) cultures in broth were normalized to OD<sub>600</sub>=0.8, diluted 1:2500 in TSB or TSB containing 2.5% human bile, and 100 µL/well were dispensed into the plates. The plates were incubated at 25°C in a Fisherbrand™ nutating mixer (Thermo Fisher Scientific; Hampton, NH) at 24 rpm for 96 hours. Media (TSB or TSB containing bile) was changed after every 24 hours for consistent *S. Typhi* biofilm growth. Plates were emptied on the fourth day and washed twice before heat fixing at 60°C for 1 hour. The biofilms were stained using a crystal violet solution and acetic acid (33%) used to elute crystal violet before reading the OD<sub>570</sub>. GraphPad prism 9.5 was used to analyze the biofilm formation results. One way Analysis of variance (ANOVA) was used to test level of significance in biofilm formation between the different *S. Typhi* sub-lineages and in different conditions, i.e., biofilms in absence of cholesterol and bile, in cholesterol coated plates in absence of bile, and in presence of cholesterol and bile. Student's t-test was used to test level of significance in biofilm formation in strains isolated before treatment vs last strains shed by the patient, P-values less than 0.05 (P<0.05) were considered significant.



## Data Availability

The whole genome sequences from all the 22 *S. Typhi* isolates were deposited to the National Center for Biotechnology Information (NCBI), GenBank accession numbers are shown in the table below (Table 5).

**Table 5.** GenBank accession numbers of analyzed *S. Typhi* sequences

Isolate No.	BioSample Accession	Whole Genome Sequence Accession	URL
Ai	SAMN40992305	JBCHCG000000000	<a href="https://www.ncbi.nlm.nih.gov/nuccore/JBCHCG000000000">https://www.ncbi.nlm.nih.gov/nuccore/JBCHCG000000000</a>
Aii	SAMN40992306	JBCHCF000000000	<a href="https://www.ncbi.nlm.nih.gov/nuccore/JBCHCF000000000">https://www.ncbi.nlm.nih.gov/nuccore/JBCHCF000000000</a>
Aiii	SAMN40992307	JBCHCE000000000	<a href="https://www.ncbi.nlm.nih.gov/nuccore/2725100554">https://www.ncbi.nlm.nih.gov/nuccore/2725100554</a>
Aiv	SAMN40992308	JBCHCD000000000	<a href="https://www.ncbi.nlm.nih.gov/nuccore/JBCHCD000000000">https://www.ncbi.nlm.nih.gov/nuccore/JBCHCD000000000</a>
Av	SAMN40992309	JBCHCC000000000	<a href="https://www.ncbi.nlm.nih.gov/nuccore/JBCHCC000000000">https://www.ncbi.nlm.nih.gov/nuccore/JBCHCC000000000</a>
Avi	SAMN40992310	JBCHCB000000000	<a href="https://www.ncbi.nlm.nih.gov/nuccore/JBCHCB000000000">https://www.ncbi.nlm.nih.gov/nuccore/JBCHCB000000000</a>
Bi	SAMN40992311	JBCHCA000000000	<a href="https://www.ncbi.nlm.nih.gov/nuccore/JBCHCA000000000">https://www.ncbi.nlm.nih.gov/nuccore/JBCHCA000000000</a>
Bii	SAMN40992312	JBCHBZ000000000	<a href="https://www.ncbi.nlm.nih.gov/nuccore/JBCHBZ000000000">https://www.ncbi.nlm.nih.gov/nuccore/JBCHBZ000000000</a>
Biii	SAMN40992313	JBCHBY000000000	<a href="https://www.ncbi.nlm.nih.gov/nuccore/JBCHBY000000000">https://www.ncbi.nlm.nih.gov/nuccore/JBCHBY000000000</a>
Biv	SAMN40992314	JBCHBX000000000	<a href="https://www.ncbi.nlm.nih.gov/nuccore/JBCHBX000000000">https://www.ncbi.nlm.nih.gov/nuccore/JBCHBX000000000</a>
Bv	SAMN40992315	JBCHBW000000000	<a href="https://www.ncbi.nlm.nih.gov/nuccore/JBCHBW000000000">https://www.ncbi.nlm.nih.gov/nuccore/JBCHBW000000000</a>
Ci	SAMN40992316	JBCHBV000000000	<a href="https://www.ncbi.nlm.nih.gov/nuccore/JBCHBV000000000">https://www.ncbi.nlm.nih.gov/nuccore/JBCHBV000000000</a>
Cii	SAMN40992317	JBCHBU000000000	<a href="https://www.ncbi.nlm.nih.gov/nuccore/JBCHBU000000000">https://www.ncbi.nlm.nih.gov/nuccore/JBCHBU000000000</a>
Ciii	SAMN40992318	JBCHBT000000000	<a href="https://www.ncbi.nlm.nih.gov/nuccore/JBCHBT000000000">https://www.ncbi.nlm.nih.gov/nuccore/JBCHBT000000000</a>
Civ	SAMN40992319	JBCHBS000000000	<a href="https://www.ncbi.nlm.nih.gov/nuccore/JBCHBS000000000">https://www.ncbi.nlm.nih.gov/nuccore/JBCHBS000000000</a>
Di	SAMN40992320	JBCHBR000000000	<a href="https://www.ncbi.nlm.nih.gov/nuccore/JBCHBR000000000">https://www.ncbi.nlm.nih.gov/nuccore/JBCHBR000000000</a>
Dii	SAMN40992321	JBCHBQ000000000	<a href="https://www.ncbi.nlm.nih.gov/nuccore/JBCHBQ000000000">https://www.ncbi.nlm.nih.gov/nuccore/JBCHBQ000000000</a>
Diii	SAMN40992322	JBCHBP000000000	<a href="https://www.ncbi.nlm.nih.gov/nuccore/JBCHBP000000000">https://www.ncbi.nlm.nih.gov/nuccore/JBCHBP000000000</a>
Div	SAMN40992323	JBCHBO000000000	<a href="https://www.ncbi.nlm.nih.gov/nuccore/JBCHBO000000000">https://www.ncbi.nlm.nih.gov/nuccore/JBCHBO000000000</a>
Dv	SAMN40992324	JBCHBN000000000	<a href="https://www.ncbi.nlm.nih.gov/nuccore/JBCHBN000000000">https://www.ncbi.nlm.nih.gov/nuccore/JBCHBN000000000</a>
Dvi	SAMN40992325	JBCHBM000000000	<a href="https://www.ncbi.nlm.nih.gov/nuccore/JBCHBM000000000">https://www.ncbi.nlm.nih.gov/nuccore/JBCHBM000000000</a>
Dvii	SAMN40992326	JBCHBL000000000	<a href="https://www.ncbi.nlm.nih.gov/nuccore/JBCHBL000000000">https://www.ncbi.nlm.nih.gov/nuccore/JBCHBL000000000</a>

## Acknowledgements

This research was financially supported by the National Institute of Health (NIH) National Institute of Allergy and infectious Diseases (Grants: R01 AI099525 and R01 AI116917).

## Conflict of Interest

The authors declare that they have no competing interests.



429

## References

- 430 1. Kariuki S, Dyson ZA, Mbae C, Ngetich R, Kawai SM, Wairimu C, Anyona S, Gitau M,  
431 Onsare RS, Ongandi B. 2021. Multiple introductions of multidrug-resistant typhoid  
432 associated with acute infection and asymptomatic carriage, Kenya. *Elife*10:e67852.
- 433 2. Kim CL, Cruz Espinoza LM, Vannice KS, Tadesse BT, Owusu-Dabo E, Rakotozandrindrainy  
434 R, Jani IV, Teferei M, Bassiahi Soura A, Lunguya O. 2022. The burden of typhoid fever in  
435 sub-Saharan Africa: a perspective. *Res Rep Trop Med*1–9.
- 436 3. Stanaway JD, Reiner RC, Blacker BF, Goldberg EM, Khalil IA, Troeger CE, Andrew JR,  
437 Bhutta JR, Crump JA, Im J. 2019. The global burden of typhoid and paratyphoid fevers: a  
438 systematic analysis for the Global Burden of Disease Study 2017. *Lancet Infect*  
439 *Dis*19(4):369–81.
- 440 4. Pieters Z, Saad NJ, Antillón M, Pitzer VE, Bilcke J. 2018. Case fatality rate of enteric fever  
441 in endemic countries: a systematic review and meta-analysis. *Clin Infect Dis*67(4):628–38.
- 442 5. Typhoid [Internet]. [cited 2024 May 30]. Available from: [https://www.who.int/news-](https://www.who.int/news-room/fact-sheets/detail/typhoid)  
443 [room/fact-sheets/detail/typhoid](https://www.who.int/news-room/fact-sheets/detail/typhoid)
- 444 6. World Health Organization. Typhoid vaccines: WHO position paper, March 2018–  
445 Recommendations. 2019. *Vaccine*37(2):214–6. Accessed May 2024.
- 446 7. Crump JA. 2019. Progress in typhoid fever epidemiology. *Clin Infect*  
447 *Dis*68(Supplement\_1):S4–9.
- 448 8. Parry CM, Thuy CT, Dongol S, Karkey A, Vinh H, Chinh NT, Duy PT, Thieu Nga TV,  
449 Campbell JI, Van Minh Hoang N. 2010. Suitable disk antimicrobial susceptibility  
450 breakpoints defining *Salmonella enterica* serovar Typhi isolates with reduced susceptibility  
451 to fluoroquinolones. *Antimicrob Agents Chemother*54(12):5201–8.
- 452 9. Dougan G, Baker S. 2014. *Salmonella enterica* serovar Typhi and the pathogenesis of  
453 typhoid fever. *Annu Rev Microbiol*68:317–36.
- 454 10. Ahirwar SK, Pratap CB, Patel SK, Shukla VK, Singh IG, Mishra OP, Kumar K, Singh TB,  
455 Nath G. 2014. Acid exposure induces multiplication of *Salmonella enterica* serovar Typhi. *J*  
456 *Clin Microbiol*52(12):4330–3.
- 457 11. Gaines S, Sprinz H, Tully JG, Tigertt WD. 1968. Studies on infection and immunity in  
458 experimental typhoid fever: VII. The distribution of *Salmonella typhi* in chimpanzee tissue  
459 following oral challenge, and the relationship between the numbers of bacilli and  
460 morphologic lesions. *J Infect Dis*293–306.
- 461 12. Hoffman SA, Sikorski MJ, Levine MM. 2023. Chronic *Salmonella Typhi* carriage at sites  
462 other than the gallbladder. *PLoS Negl Trop Dis*17(3):e0011168.
- 463 13. Dougan G, John V, Palmer S, Mastroeni P. 2011. Immunity to salmonellosis. *Immunol*  
464 *Rev*240(1):196–210.
- 465 14. Steele-Mortimer O. 2008. The *Salmonella*-containing vacuole—moving with the times. *Curr*  
466 *Opin Microbiol*11(1):38–45.
- 467 15. Marineli F, Tsoucalas G, Karamanou M, Androustos G. 2013. Mary Mallon (1869-1938) and  
468 the history of typhoid fever. *Ann Gastroenterol Q Publ Hell Soc Gastroenterol*26(2):132.
- 469 16. Dongol S, Thompson CN, Clare S, Nga TVT, Duy PT, Karkey A, Arjyal A, Koirala S, Khatri  
470 NS, Maskey P. 2012. The microbiological and clinical characteristics of invasive *Salmonella*  
471 in gallbladders from cholecystectomy patients in Kathmandu, Nepal.



17. Gunn JS, Marshall JM, Baker S, Dongol S, Charles RC, Ryan ET. 2014. Salmonella chronic carriage: epidemiology, diagnosis, and gallbladder persistence. *Trends Microbiol*22(11):648–55.
18. Parry CM, Hien TT, Dougan G, White NJ, Farrar JJ. 2002. Typhoid fever.
19. Crawford RW, Rosales-Reyes R, Ramirez-Aguilar M de la L, Chapa-Azuela O, Alpuche-Aranda C, Gunn JS. 2010. Gallstones play a significant role in Salmonella spp. gallbladder colonization and carriage. *Proc Natl Acad Sci*107(9):4353–8.
20. Lovane L, Martínez MJ, Massora S, Mandomando I, Ussene E, Jordao D, Castillo P, Imail MR, Lorenzoni C, Carrilho C. 2016. Carriage prevalence of Salmonella enterica serotype Typhi in gallbladders of adult autopsy cases from Mozambique. *J Infect Dev Ctries*10(04):410–2.
21. Gonzalez-Escobedo G, Marshall JM, Gunn JS. 2011. Chronic and acute infection of the gall bladder by Salmonella Typhi: understanding the carrier state. *Nat Rev Microbiol*9(1):9–14.
22. Flemming HC, Wingender J. 2010. The biofilm matrix. *Nat Rev Microbiol*8(9):623–33.
23. Römling U, Balsalobre C. 2012. Biofilm infections, their resilience to therapy and innovative treatment strategies. *J Intern Med*272(6):541–61.
24. Steenackers H, Hermans K, Vanderleyden J, De Keersmaecker SC. 2012. Salmonella biofilms: an overview on occurrence, structure, regulation and eradication. *Food Res Int*.45(2):502–31.
25. Gonzalez-Escobedo G, Gunn JS. 2013. Identification of Salmonella enterica serovar Typhimurium genes regulated during biofilm formation on cholesterol gallstone surfaces. *Infect Immun*81(10):3770–80.
26. An C, Chon H, Ku W, Eom S, Seok M, Kim S, Lee J, Kim D, Lee S, Koo H. 2022. Bile acids: Major regulator of the gut microbiome. *Microorganisms*10(9):1792.
27. Staley C, Weingarden AR, Khoruts A, Sadowsky MJ. 2017. Interaction of gut microbiota with bile acid metabolism and its influence on disease states. *Appl Microbiol Biotechnol*101:47–64.
28. Neiger MR, González JF, Gonzalez-Escobedo G, Kuck H, White P, Gunn JS. 2019. Pathoadaptive alteration of Salmonella biofilm formation in response to the gallbladder environment. *J Bacteriol*201(14):10–1128.
29. Thanh Duy P, Thieu NTV, Nguyen Thi Nguyen T, Ngoc Dan Thanh H, Dongol S, Karkey A, Carey M, Basnyat B, Dougan G, Rabaa MA. 2020. Gallbladder carriage generates genetic variation and genome degradation in Salmonella Typhi. *PLoS Pathog*16(10):e1008998.
30. Maes M, Dyson ZA, Higginson EE, Fernandez A, Araya P, Tennant SM, Baker S, Lagos R, Levine MM, Hormazabal JC. 2020. Multiple introductions of salmonella enterica serovar typhi H58 with reduced fluoroquinolone susceptibility into Chile. *Emerg Infect Dis*26(11):2736.
31. Pragasam AK, Pickard D, Wong V, Dougan G, Kang G, Thompson A, John J, Balaji V, Mutreja A. 2020. Phylogenetic analysis indicates a longer term presence of the globally distributed H58 haplotype of Salmonella Typhi in Southern India. *Clin Infect Dis*71(8):1856–63.
32. Park SE, Pham DT, Boinett C, Wong VK, Pak GD, Panzner U, Espinoza LMC, von Kalckreuth V, Im J, Schütt-Gerowitt H. 2018. The phylogeography and incidence of multi-drug resistant typhoid fever in sub-Saharan Africa. *Nat Commun*9(1):5094.
33. Wong VK, Baker S, Pickard DJ, Parkhill J, Page AJ, Feasey NA, Kingsley RA, Thomson NR, Keane JA, Weill F. 2015. Phylogeographical analysis of the dominant multidrug-



- resistant H58 clade of Salmonella Typhi identifies inter-and intracontinental transmission events. *Nat Genet*47(6):632–9.
34. González JF, Alberts H, Lee J, Doolittle L, Gunn JS. 2018. Biofilm formation protects Salmonella from the antibiotic ciprofloxacin in vitro and in vivo in the mouse model of chronic carriage. *Sci Rep*8(1):222.
35. Virlogeux I, Waxin H, Ecobichon C, Popoff MY. 1995. Role of the *viaB* locus in synthesis, transport and expression of Salmonella typhi Vi antigen. *Microbiology*141(12):3039–47.
36. Zhang LF, Lepenies B, Nakamae S, Young BM, Santos RL, Raffatellu M, Cobb BA, Hiyoshi H, Bäumler AJ. 2022. The vi capsular polysaccharide of Salmonella typhi promotes macrophage phagocytosis by binding the human c-type lectin DC-SIGN. *Mbio*13(6):e02733-22.
37. Hu X, Chen Z, Xiong K, Wang J, Rao X, Cong Y. 2017. Vi capsular polysaccharide: Synthesis, virulence, and application. *Crit Rev Microbiol*43(4):440–52.
38. Muturi P, Wachira P, Wagacha M, Mbae C, Kawai S, Muhammed M, Gunn JS, Kariuki S. 2024. Fecal Shedding, Antimicrobial Resistance and In Vitro Biofilm formation on Simulated Gallstones by Salmonella Typhi Isolated from Typhoid Cases and Asymptomatic Carriers in Nairobi, Kenya. *Int J Clin Microbiol*1(2):23–36.
39. Grant NA, Sontz JT, Waters CM. 2023. Deployment of a Vibrio cholerae ordered transposon mutant library in a quorum-competent genetic background. *bioRxiv*
40. Bolger AM, Lohse M, Usadel B. 2014. Trimmomatic: a flexible trimmer for Illumina sequence data. *Bioinformatics*30(15):2114–20.
41. Bankevich A, Nurk S, Antipov D, Gurevich AA, Dvorkin M, Kulikov AS, Lesin VM, Nikolenko SI, Pham S, Prjibelski AD. 2012. SPAdes: a new genome assembly algorithm and its applications to single-cell sequencing. *J Comput Biol*19(5):455–77.
42. Langmead B, Salzberg SL. 2012. Fast gapped-read alignment with Bowtie 2. *Nat Methods*9(4):357–9.
43. Li H, Handsaker B, Wysoker A, Fennell T, Ruan J, Homer N, Marth G, Abecasis G, Durbin R. 2009. The sequence alignment/map format and SAMtools. *bioinformatics*25(16):2078–9.
44. Wick RR, Judd LM, Gorrie CL, Holt KE. 2017. Unicycler: resolving bacterial genome assemblies from short and long sequencing reads. *PLoS Comput Biol*13(6):e1005595.
45. Walker BJ, Abeel T, Shea T, Priest M, Abouelliel A, Sakthikumar S, Cuomo CA, Zeng Q, Wortman J, Young SK. 2014. Pilon: an integrated tool for comprehensive microbial variant detection and genome assembly improvement. *PLoS One*9(11):e112963.
46. Schwengers O, Jelonek L, Dieckmann MA, Beyvers S, Blom J, Goesmann A. 2021. Bakta: rapid and standardized annotation of bacterial genomes via alignment-free sequence identification. *Microb Genomics*7(11):000685.
47. Chan PP, Lowe TM. 2019. tRNAscan-SE: searching for tRNA genes in genomic sequences. *Springer*..
48. Laslett D, Canback B. 2004. ARAGORN, a program to detect tRNA genes and tmRNA genes in nucleotide sequences. *Nucleic Acids Res*32(1):11–6.
49. Nawrocki EP, Eddy SR. 2013. Infernal 1.1: 100-fold faster RNA homology searches. *Bioinformatics*29(22):2933–5.
50. Edgar RC. 2007. PILER-CR: fast and accurate identification of CRISPR repeats. *BMC Bioinformatics*8:1–6.
51. Feldgarden M, Brover V, Gonzalez-Escalona N, Frye J, Haendiges J, Haft D, Hoffmann M, Pettengill JB, Prasad AB, Tillman GE. 2021. AMRFinderPlus and the Reference Gene



- Catalog facilitate examination of the genomic links among antimicrobial resistance, stress response, and virulence. *Sci Rep*11: 12728.
52. Savojardo C, Martelli PL, Fariselli P, Casadio R. 2018. DeepSig: deep learning improves signal peptide detection in proteins. *Bioinformatics*34(10):1690–6.
53. Siguier P, Pérochon J, Lestrade L, Mahillon J, Chandler M. 2006. ISfinder: the reference centre for bacterial insertion sequences. *Nucleic Acids Res*34(suppl\_1):D32–6.
54. Argimón S, Yeats CA, Goater RJ, Abudahab K, Taylor B, Underwood A, Sánchez-Busó L, Wong VK, Dyson ZA, Nair S. 2021. A global resource for genomic predictions of antimicrobial resistance and surveillance of Salmonella Typhi at pathogenwatch. *Nat Commun*12(1):2879.
55. Wong VK, Baker S, Connor TR, Pickard D, Page AJ, Dave J, Murphy N, Holliman R, Sefton A, Millar M. 2016. An extended genotyping framework for Salmonella enterica serovar Typhi, the cause of human typhoid. *Nat Commun*7(1):12827.
56. Sharma P, Dahiya S, Balaji V, Kanga A, Panda P, Das R, Dhanraju A, Mendiratta DK, Sood S, Das BK. 2016. Typhoidal salmonellae: Use of multi-locus sequence typing to determine population structure. *PLoS One*11(9):e0162530.
57. Yoshida CE, Kruczkiewicz P, Laing CR, Lingohr EJ, Gannon VP, Nash JH, Taboada EN. 2016. The Salmonella in silico typing resource (SISTR): an open web-accessible tool for rapidly typing and subtyping draft Salmonella genome assemblies. *PloS One*11(1):e0147101.
58. Deatherage DE, Barrick JE. 2014. Identification of mutations in laboratory-evolved microbes from next-generation sequencing data using breseq. *Eng Anal Multicell Syst Methods Protoc*165–88.
59. Tang X, Shang J, Ji Y, Sun Y. 2023. PLASMe: a tool to identify PLASMid contigs from short-read assemblies using transformer. *Nucleic Acids Res*51(15):e83–e83.