

Incidence, risk factors, and clinical symptom profile of reinfection during Omicron-dominated COVID-19 outbreak in Hong Kong: A retrospective cohort study

Ziyang Huang^{1,2,†}, Jingyuan Luo^{3,4,5,†}, Haoran Li¹, Xingye Cheng¹, Jialing Zhang^{3,4,5}, Hiu To Tang^{3,4}, Hoi Ki Wong^{3,4}, Chun Hoi Cheung^{3,4}, Zhaoxiang Bian^{3,4,5,*}, Aiping Lyu^{2,3,6,*}, Liang Tian^{1,2,7,8,*}

¹ Department of Physics, Hong Kong Baptist University, Hong Kong, China

² Institute of Systems Medicine and Health Sciences, Hong Kong Baptist University, Hong Kong, China

³ School of Chinese Medicine, Hong Kong Baptist University, Hong Kong, China

⁴ Vincent V.C Woo Chinese Medicine Clinical Research Institute, School of Chinese Medicine, Hong Kong Baptist University, Hong Kong, China

⁵ Centre for Chinese Herbal Medicine Drug Development, Hong Kong Baptist University, Hong Kong SAR, China

⁶ Centre for Cancer & Inflammation Research, School of Chinese Medicine, Hong Kong Baptist University, Hong Kong, China

⁷ Institute of Computational and Theoretical Studies, Hong Kong Baptist University, Hong Kong, China

⁸ State Key Laboratory of Environmental and Biological Analysis, Hong Kong Baptist University, Hong Kong, China

† These authors contributed equally to this article

* Corresponding authors:

Liang Tian: SCT904, Cha Chi-ming Science Tower, Ho Sin Hang Campus, Hong Kong Baptist University, 224 Waterloo Road, Kowloon, Hong Kong SAR, China. Email address: liangtian@hkbu.edu.hk;

Aiping Lyu: Jockey Club School of Chinese Medicine Building, 7 Baptist University Road, Kowloon, Hong Kong SAR, China. Email address: aipinglu@hkbu.edu.hk;

Zhaoxiang Bian: Hong Kong Baptist University, 3/F, Jockey Club School of Chinese Medicine Building, 7 Baptist University Road, Kowloon, Hong Kong SAR, China. Email address: bxzxiang@hkbu.edu.hk

Abstract

Background: Despite the World Health Organization's declaration of the end of the COVID-19 pandemic, reinfection persists and continues to strain the global healthcare system. With the emergence of the most recent variant of SARS-CoV-2 named JN.1, retrospective analysis of epidemiological characteristics of previous cases involving the Omicron variant is essential to provide references for preventing reinfection caused by the ongoing new SARS-Cov-2 variants.

Methods: This retrospective cohort study included 6325 patients infected with SARS - CoV-2 during the Omicron-dominated outbreak (from December 2021 to May 2022) in Hong Kong. Statistical analysis was conducted to demonstrate the epidemiological characteristics and a logistic regression model was utilized to identify risk factors associated with reinfection.

Results: The Omicron reinfection incidence was 5.18% (n = 353). No significant difference was observed in receiving mRNA (BNT162b2) vaccine and inactivated (CoronaVac) vaccine between reinfection and non-reinfection groups (p>0.05). Risk factors were identified as female gender (p<0.001), longer infection duration (p<0.05), comorbidity of eyes, ear, nose, throat disease (p<0.01), and severe post-infection impact on daily life and work (p<0.05), while ≥ 70 years old (p<0.05) and vaccination after primary infection (p<0.01) were associated with a lower risk of reinfection. The prevalence of most symptoms after reinfection was lower than the first infection, except for fatigue.

Conclusion: No significant difference in mRNA (BNT162b2) vaccine and inactivated (CoronaVac) vaccine against reinfection. Post-infection vaccination could lower the risk of reinfection, which

potentially inform the development of preventive measures including vaccination policies against potential new SARS-Cov-2 variants.

Keywords: SARS-CoV-2, COVID-19, Omicron, reinfection, vaccination, risk factors

1 **1. Introduction**

2 Coronavirus disease 2019 (COVID-19) is a type of infectious disease caused by the coronavirus known as
3 severe acute respiratory syndrome coronavirus 2 (SARS-CoV-2) [1,2]. As reported to WHO, there have
4 been 710 million confirmed cases of COVID-19, including 6.9 million death cases as of September 26,
5 2023 [3–6]. There were different variants of SARS-CoV-2, including Alpha, Beta, Gamma, Delta, and
6 Omicron, driving multiple infection waves worldwide [7]. The Omicron variant has rapidly become the
7 dominant strain of the virus since its emergence due to immune escapability and high transmissibility [8].

8 The occurrence of reinfection was first confirmed in Hong Kong in August 2022 [9]. Although the World
9 Health Organization (WHO) declared the end of the pandemic in May 2023 [10], the issue of reinfection
10 persists. Previous studies have reported that Omicron reinfection has been occurring globally, with its
11 incidence varying from different regions, such as 12.1% (Omicron BA.2 period) in Shanghai, China [11],
12 28.8% (Omicron BQ.1/BQ.1.1 period) in the U.S. [12], and 0.66% (Omicron BA.1/BA.2 period) in Kyoto,
13 Japan [13]. As of January 5, 2024, the new variant named JN.1, an offspring of Omicron BA.2.86, was
14 estimated to comprise approximately 62% of the currently circulating SARS-CoV-2 variants,
15 continuously causing COVID-19 infections to increase globally [14]. It is crucial to retrospectively
16 investigate previous cases of the Omicron variant to provide insights that can aid in developing preventive
17 measures targeting potential new COVID-19 variants.

18 Apart from reinfection incidence, previous studies have identified several common risk factors associated
19 with reinfection, such as gender, age, and vaccination status, with a particular focus on vaccination
20 against reinfection [11,15–17]. However, other crucial factors that may influence reinfection risk, such as

21 the infection duration of primary infection and post-infection impact on life, have not been thoroughly
22 investigated in the current literature.

23 In Hong Kong, the Omicron variant was the dominant strain of the virus during the fifth wave of the
24 outbreak, leading to over 2.8 million confirmed cases and 13,120 deaths from December 2021 to January
25 2023 [18]. The majority of cases were caused by Omicron BA.2 and its related sublineages (BA.2*) (85%)
26 [19]. There were two types of COVID-19 vaccines available under the Government Vaccination Program
27 in Hong Kong: the BNT162b2 mRNA Vaccine and the CoronaVac/Sinovac inactivated vaccine [20]. The
28 symptom profiles in the acute stage and chronic stage of the Omicron outbreak in Hong Kong have been
29 reported in our previous study [21,22]. Nevertheless, detailed studies on reinfection profiles were still
30 limited. This study was based on a population of COVID-19 patients during the Omicron-dominated
31 outbreak in Hong Kong, to systematically investigate the incidence, risk factors, as well as clinical
32 symptom profile of COVID-19 reinfection.

33

34 **2. Methods**

35 2.1 Study design and population

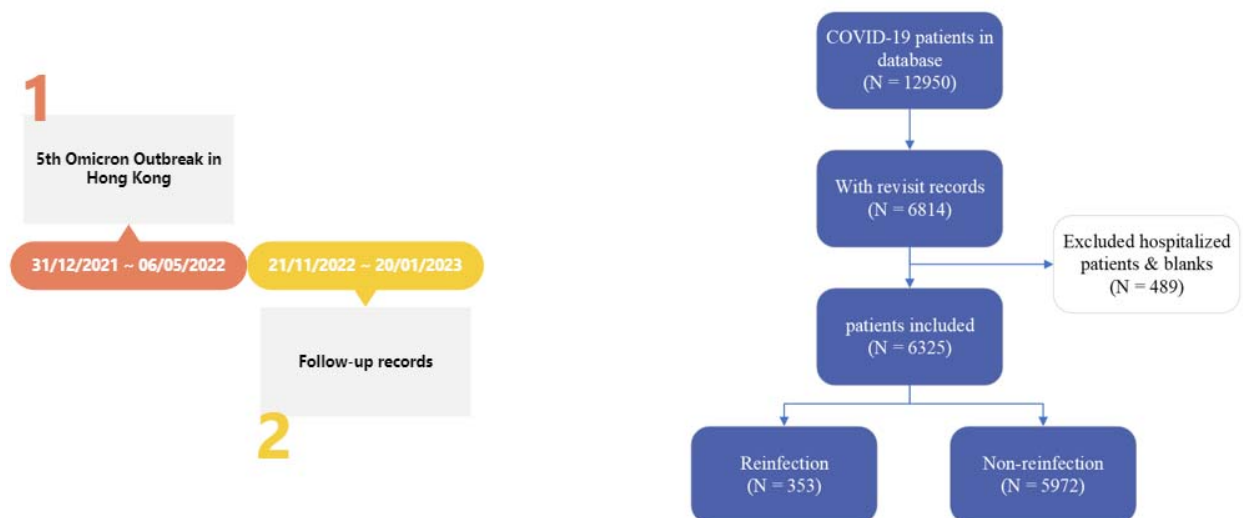
36 This retrospective cohort study was conducted at the Vincent V.C. Woo Chinese Medicine Clinical
37 Research Institute, Hong Kong Baptist University (HKBU). The data was collected from electronic
38 medical records and revisit records via telephone from HKBU. As shown in Figure 1, during the
39 Omicron-dominated outbreak in Hong Kong (December 31, 2021 – May 6, 2022), a total of 6814 patients
40 with confirmed COVID-19 during the Omicron-dominated outbreak in Hong Kong were included. By
41 excluding participants with hospitalization history after infection, 6325 non-hospitalized subjects with
42 primary COVID-19 infection who received consultation services with complete electronic records from
43 the university and revisit information were accounted for in the subsequent analysis. Follow-up telephone
44 visits were conducted to assess the health status, including reinfection status by Chinese medicine

45 physicians (CMPs) and research assistants (RAs) between November 21, 2022, and January 20, 2023.
46 Primary infection and reinfection with SARS-CoV-2 were confirmed via polymerase chain reaction (PCR)
47 or rapid antigen test (RAT). The data was collected under the Compulsory Testing Notice imposed by the
48 Hong Kong Government from October 11, 2021 to December 29, 2022, which stated that individuals who
49 have had close contact with confirmed cases of COVID-19 in 2019 but have not exhibited any symptoms
50 of the disease are required to undergo mandatory quarantine at designated quarantine centers [23,24],
51 minimizing the possibility of undetected reinfection among individuals who may be unaware of their
52 reinfection status. The collected data consisted of reinfection status, demographic information, medical
53 history, COVID-19 vaccination information, and post-infection symptoms.

54

55 2.2 Outcome

56 The incidence of COVID-19 reinfection was the primary outcome. The definition of reinfection from the
57 CDC was applied in this study: an individual being infected by the SARS-Cov-2 virus, recovering, and
58 then becoming infected again [25]. The investigated factors were as follows: gender, age, Body Mass
59 Index (BMI), vaccination doses (incomplete vaccination: <3 doses; complete vaccination: ≥ 3 doses),
60 vaccine types (BNT162b2, CoronaVac, and others), vaccination after primary infection, infection duration
61 (measured in days, from the first positive to the first negative test results by PCR/RAT, comorbidities,
62 treatment for acute stage of illness within four weeks after primary infection & corresponding satisfaction
63 of acute treatment, new disease development after primary infection (new disease types were listed in
64 Table S1), and self-reported post-infection impact on normal life and work in three levels: no impact,
65 acceptable impact (mild to moderate), and severe impact. Fifteen clinical symptoms occurring after
66 primary infection and reinfection were recorded.



67

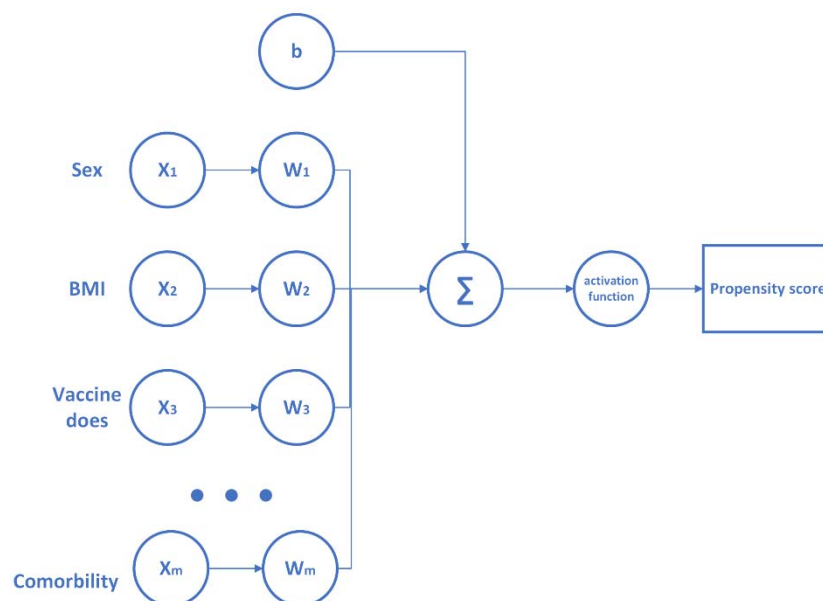
68 **Figure 1. The flowchart of the data selection process.**

69

70 2.2 Statistical analysis

71 For continuous variables, normally and non-normally distributed variables were expressed as mean
72 (standard deviation, SD) and median (interquartile range, IQR) after testing normality, respectively, while
73 the categorical variables were reported as frequencies and percentages (n%). Student's t-test or Mann-
74 Whitney U test was used for continuous variables as appropriate, while the Chi-squared test was utilized
75 for categorical variables. To reduce bias arising from the unequal sample sizes between the reinfection
76 group and non-reinfection group, we employed propensity score matching (PSM) [26], a statistical
77 matching technique commonly utilized in observational studies to achieve a balanced distribution of
78 characteristics between control and treatment groups, aiming for a 1:1 ratio of sample size, with
79 propensity scores estimated using a logistic regression model (Figure 2). The associations between the
80 risk factors and reinfection were assessed by logistic regression models, expressed as adjusted odd ratios
81 (aOR) and unadjusted odd ratios (OR). Sex, age, BMI, vaccine dose, infection duration during primary
82 infection, vaccination after primary infection, comorbidities, new disease development, and post-infection

83 life impact were adjusted during the logistic regression analysis. All statistical tests were two-tailed, and
84 the significance level was defined as p value < 0.05 . Blank values were excluded from the analysis.



85

86 **Figure 2. Demonstration of propensity score matching using logistic regression.** Taking the age factor as an
87 example, the rest of factors were used for matching.

88

89 3. Results

90 3.1 Cohort characteristics

91 The descriptive characteristics of the participant demography were shown in Table 1. The characteristics
92 of the reinfection population were reported as follows: among reinfection patients, the median age was 44
93 (IQR: 35-58), with 76.77% female and 23.23% male. The median BMI was 22.8 (IQR: 20.7-25.9), and
94 17.28% were classified as obese. Furthermore, 44.76% of reinfection patients received at least three doses
95 of vaccines, while 21.30% were vaccinated after primary infection. The median infection duration during
96 the first infection was 7 days (IQR: 7-10). 29.75% of them had at least one comorbidity, and 3.68%
97 developed new diseases within the investigated period. Regarding post-infection impact on daily life and

98 work, 40.23%, 37.96%, and 9.92% of reinfection patients reported no impact, acceptable impact, and
 99 severe impact, respectively. For vaccine types (first vaccine dose), the proportions of mRNA (BNT162b2)
 100 and inactivated (CoronaVac) vaccines were 46.18% and 42.49%, respectively. Time intervals from first
 101 reinfection to primary infection (measured in days) were shown in Figure 3. The median time interval
 102 between primary infection and first reinfection was 279, with a minimum of 97 and a maximum of 333.
 103 The 95% confidence interval ranged from 155.97 to 311.72.

104

105 **Table 1. The overall demographic characteristics of the patients with follow-up records.**

Characteristics	Total (N=6325)	Reinfection (N = 353)	Non-reinfection (N = 5972)	P-value
Gender (n%)				0.009
Female	4276 (67.60%)	271 (76.77%)	239 (67.71%)	
Male	2049 (32.40%)	82 (23.23%)	114 (32.29%)	
Age, median [IQR], year	47 [36, 60]	44 [35, 58]	47 [36, 60]	0.001
<18 years	473 (7.48%)	20 (5.67%)	453 (7.59%)	0.219
18-29 years	421 (6.66%)	24 (6.80%)	397 (6.65%)	0.999
30-39 years	1234 (19.51%)	87 (24.65%)	1147 (19.21)	0.015
40-49 years	1392 (22.01%)	92 (26.06%)	1300 (21.77)	0.068
50-59 years	1140 (18.02%)	57 (16.15%)	1083 (18.13%)	0.383
60-69 years	1043 (16.49%)	50 (14.16%)	993 (16.63%)	0.255
≥ 70 years	622 (9.83%)	23 (6.52%)	599 (10.03%)	0.039
BMI, median [IQR], kg/m²	22.5 [20.3, 25.1]	22.8 [20.7, 25.9]	22.5 [20.3, 25.1]	0.01
Underweight (<18.5)	336 (5.31%)	13 (3.68%)	323 (5.41%)	0.200
Normal (18.5-23.0)	1691 (26.74%)	90 (25.50%)	1601 (26.81)	0.632
Overweight (23.0<25.0)	668 (10.56%)	35 (9.92%)	633 (10.60%)	0.751
Obese (≥25.0)	979 (15.48%)	61 (17.28%)	918 (15.37%)	0.375
Missing	2651 (41.91%)	154 (43.63%)	2497 (41.81%)	--
Vaccine doses (n%)				0.768
≥3 doses	2888 (45.66%)	158 (44.76%)	2730 (45.71%)	
<3 doses	3437 (54.34%)	195 (55.24%)	3242 (54.29%)	
Vaccination after infection (n%)	1101 (17.2%)	129 (21.3%)	972 (16.7%)	0.005
Infection duration, median [IQR],	7 [6, 9]	7 [7, 10]	7 [6, 9]	0.057

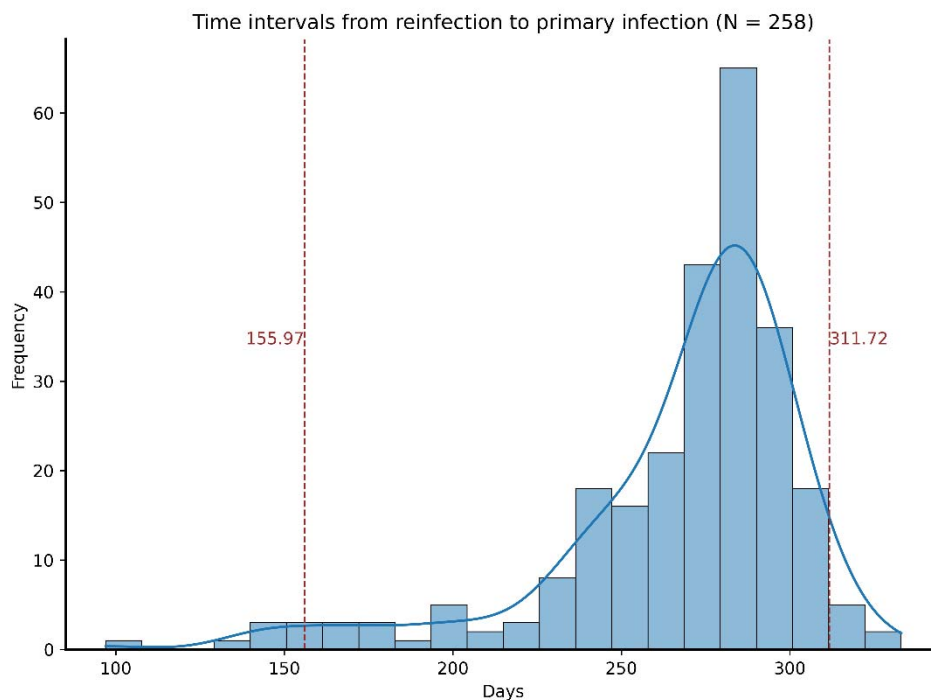
day

At least one comorbidity (n%)	1771 (28.0%)	105 (29.75%)	1666 (27.90%)	0.490
Diabetes	408 (6.45%)	22 (6.23%)	386 (6.46%)	0.952
Hypertension	1050 (16.60%)	60 (17.00%)	990 (16.58%)	0.895
Respiratory disease	127 (2.01%)	7 (1.98%)	120 (2.01%)	1.000
Hyperlipidemia	447 (7.07%)	26 (7.37%)	421 (7.05%)	0.906
Liver disease	49 (0.77%)	4 (1.13%)	45 (0.75%)	0.633
Cardio-cerebrovascular disease	175 (2.77%)	13 (3.68%)	162 (2.71%)	1.000
Renal disease	17 (0.27%)	1 (0.28%)	16 (0.27%)	1.000
Psychological disease	42 (0.66%)	3 (0.85%)	39 (0.65%)	0.916
Neurological disease	11 (0.17%)	0 (0.00%)	11 (0.18%)	0.881
Digestive disease	43 (0.68%)	1 (0.28%)	42 (0.70%)	0.590
Endocrine disease	92 (1.45%)	7 (1.98%)	85 (1.42%)	0.532
Eyes, ear, nose, throat disease	53 (0.84%)	7 (1.98%)	46 (0.77%)	0.033
Other disease	233 (3.68%)	18 (5.10%)	215 (3.60%)	0.219
Treatment within four weeks of diagnosis (n%)	5886 (93.06)	335 (94.90%)	5551 (92.95%)	0.196
Satisfied with the treatment	1149 (18.16%)	90 (25.50%)	1059 (17.73%)	0.343
New disease (n%)	180 (2.85%)	13 (3.68%)	167 (2.80%)	0.420
Post-infection impact (n%)				
No impact	3151 (49.81%)	142 (40.23%)	3009 (50.39%)	0.000
Acceptable impact	2089 (33.02%)	134 (37.96%)	1955 (32.74%)	0.049
Severe impact	437 (6.91%)	35 (9.92%)	402 (6.73%)	0.029
Missing	648 (10.26%)	42 (11.89%)	606 (10.14%)	--
Vaccine type - 1st dose (n%)				0.614
mRNA	3110 (49.17%)	163 (46.18%)	2947 (49.35%)	
Inactivated	2690 (42.53)	150 (42.49%)	2540 (42.53%)	
Other & missing	525 (8.30%)	40 (11.33%)	485 (8.12%)	
Vaccine type - 2nd dose (n%)				0.539
mRNA	2970 (46.96%)	153 (43.34%)	2817 (47.17%)	
Inactivated	2480 (39.21%)	138 (39.09%)	2342 (39.22%)	
Other & missing	875 (13.83%)	62 (17.56%)	813 (13.61%)	
Vaccine type - 3rd dose (n%)				0.087
mRNA	1470 (23.24%)	92 (26.06%)	1378 (23.07%)	
Inactivated	1338 (21.15%)	63 (17.85%)	1275 (21.35%)	

Other & missing	3517 (55.6%)	198 (56.09%)	3319 (55.58%)	
Vaccine type - 4th dose (n%)				1.000
mRNA	125 (1.98%)	3 (0.85%)	122 (2.04%)	
Inactivated	65 (1.03%)	2 (0.57%)	63 (1.05%)	
Other & missing	6135 (97.00)	348 (98.58%)	5787 (96.90%)	

106 Data were expressed as median [IQR], n (%), or mean (SD). All tests were two-sided. For vaccine types, only mRNA and
 107 inactivated types were included in Chi-square tests.

108



109

110 **Figure 3. Distribution of time intervals from reinfection to primary infection.** Only patients reinfected once
 111 (first reinfection) were included. Blank values were excluded.

112

113 3.2 The incidence of reinfection

114 The incidence of reinfection was 5.18% (n = 353). Among 353 reinfected patients, 65 (18.41%) of them
 115 have experienced reinfection twice (Figure S3). The propensity score matched comparison between the
 116 reinfection group and non-reinfection group was shown in Table 2. Compared with non-reinfection

117 patients, the reinfection group has a higher percentage of females (271, 76.77% vs. 239, 67.71%, $p < 0.01$),
 118 younger age population (44, 35-58 vs. 50, 38-62.25, $p < 0.005$), higher BMI (22.8, 20.7-25.9 vs. 22.0,
 119 20.0-24.6, $p < 0.05$). Significant differences were found in post-infection impact on life and work between
 120 two groups ($p < 0.05$), among which fewer reinfection patients reported no impact than non-reinfection
 121 patients (142, 44.65% vs. 176, 55.35%, $p < 0.05$). Importantly, as shown in Table 3, there were no
 122 significant differences found in taking mRNA and inactivated vaccines between the two groups for either
 123 dose in four doses ($p > 0.05$).

124

125 **Table 2. Prevalence of reinfection using propensity score matched patient data.**

Characteristics	Reinfection (N = 353)	Non-reinfection (N = 353)	P-value
Gender (n%)			0.009
Female	271 (76.77%)	239 (67.71%)	
Male	82 (23.23%)	114 (32.29%)	
Age, median [IQR], year	44 [35, 58]	50 [38, 62.25]	0.001
BMI, median [IQR], kg/m²	22.8 [20.7, 25.9]	22.0 [20.0, 24.6]	0.01
Vaccine dose, median [IQR], dose	2 [2, 3]	2 [2, 3]	> 0.05
At least one comorbidity (n%)	105 (29.75%)	91 (25.78%)	> 0.05
Infection duration, median [IQR], day	7 [7, 10]	7 [6.75, 10]	> 0.05
Post-infection impact (n%)			0.036
No impact	142 (44.65%)	176 (55.35%)	0.013
Acceptable impact	134 (43.09%)	118 (37.11%)	> 0.05
Severe impact	35 (11.25%)	24 (7.55%)	> 0.05
New disease development	13 (3.69%)	13 (3.69%)	> 0.05

126 The propensity score matching was performed among eight factors (bolded). During the matching process of each factor, the
 127 other seven factors were matched.

128

129 **Table 3. The propensity score matched comparison of vaccine types (mRNA vs. inactivated) of four**
 130 **vaccination status**

Vaccine type by status (n%)	Reinfection (N = 353)	Non-reinfection (N = 353)	P-value
1st dose			0.265
mRNA	163 (52.08%)	179 (50.71%)	

	Inactivated	150 (47.92%)	136 (38.53%)	
	Other & missing	40 (11.33%)	38 (10.76%)	
2nd dose				0.218
	mRNA	153 (43.34%)	175 (49.58%)	
	Inactivated	138 (39.09%)	2342 (35.98%)	
	Other & missing	62 (17.56%)	51 (14.45%)	
3rd dose				0.538
	mRNA	92 (26.06%)	80 (22.66%)	
	Inactivated	63 (17.85%)	65 (18.41%)	
	Other & missing	198 (56.09%)	208 (58.92%)	
4th dose				1.000
	mRNA	3 (0.85%)	10 (2.83%)	
	Inactivated	2 (0.57%)	4 (1.13%)	
	Other & missing	348 (98.58%)	339 (96.03%)	

131 Only mRNA and inactivated types were included in the Chi-square tests. Covariables of sex, age, BMI, comorbidities, infection
 132 durations, vaccine doses, new disease development, and post-infection life impact were matched.

133

134 3.3 Risk factors associated with the incidence of reinfection

135 Table 4 presented the association between risk factors and reinfection using logistic regression. Several
 136 factors were identified to be associated with reinfection. Males exhibited a lower risk of reinfection than
 137 females (aOR: 0.619, 0.477-0.804, $p < 0.001$), and individuals that were ≥ 70 years old had a lower
 138 reinfection risk than other age groups (aOR: 0.444, 0.231-0.852, $p < 0.05$). A longer infection duration for
 139 primary infection was associated with a higher reinfection risk than a shorter infection duration (aOR:
 140 1.030, 1.001-1.061, $p < 0.05$). Vaccination after primary infection was significantly associated with a lower
 141 risk of reinfection (aOR: 0.708, 0.548-0.916, $p < 0.01$). Having comorbidity of eyes, ear, nose, throat
 142 disease could increase the risk of reinfection (aOR: 2.983, 1.316-6.761, $p < 0.01$). In terms of post-
 143 infection life impact, individuals who experienced either an acceptable impact (aOR: 1.316, 1.027-1.687,
 144 $p < 0.05$) or severe impact (aOR: 1.651, 1.108-2.459, $p < 0.05$), compared to those who reported no impact.

145

146 **Table 4. Risk factors associated with the prevalence of reinfection.**

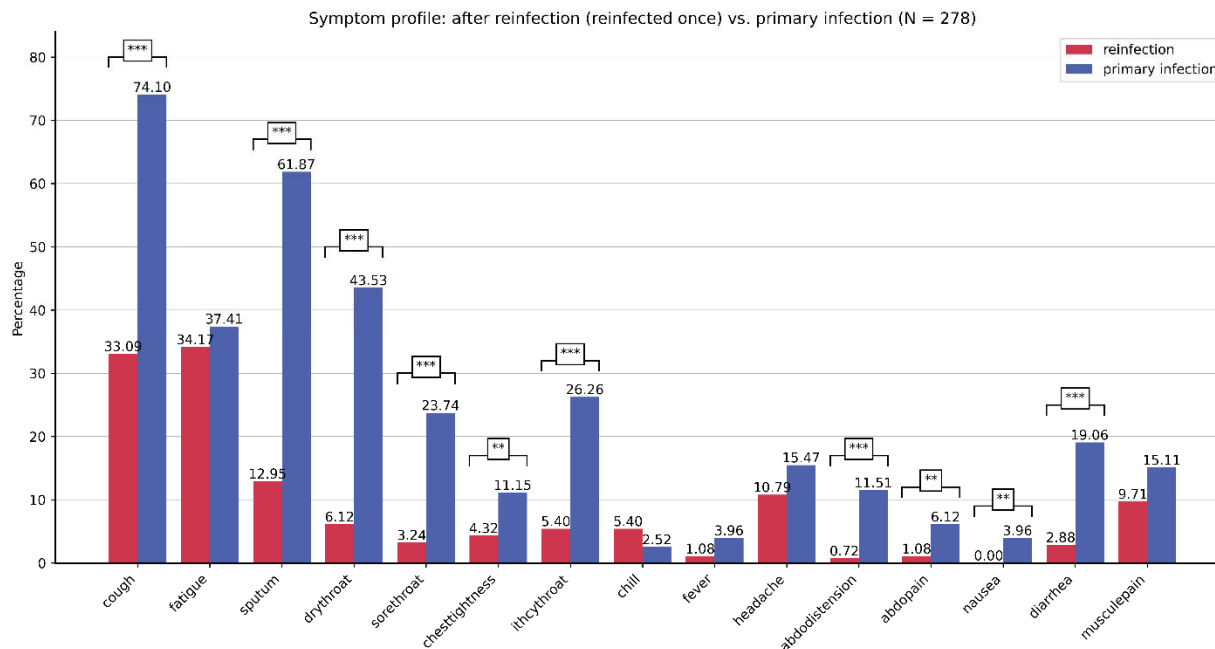
Factors	Unadjusted Odds Ratio	95% CI	P-value	Adjusted Odds Ratio	95% CI	P-value
Sex, (female as Ref.)	0.616	[0.479, 0.793]	0.000	0.619	[0.477, 0.804]	0.000
Age						
<18 years	0.730	[0.397, 1.342]	0.311	0.877	[0.471, 1.635]	0.680
18-29 years	Ref.			Ref.		
30-39 years	1.255	[0.787, 2.000]	0.340	1.163	[0.726, 1.862]	0.531
40-49 years	1.171	[0.737, 1.860]	0.505	0.993	[0.618, 1.595]	0.977
50-59 years	0.871	[0.533, 1.422]	0.580	0.689	[0.414, 1.147]	0.152
60-69 years	0.833	[0.505, 1.374]	0.474	0.646	[0.378, 1.104]	0.110
≥ 70 years	0.635	[0.354, 1.141]	0.129	0.444	[0.231, 0.852]	0.015
BMI						
Underweight (<18.5)	0.716	[0.395, 1.296]	0.270	0.715	[0.391, 1.307]	0.276
Normal (18.5 < 23.0)	Ref.			Ref.		
Overweight (23.0 < 25.0)	0.984	[0.659, 1.469]	0.936	1.097	[0.730, 1.648]	0.657
Obese (≥25.0)	1.182	[0.846, 1.652]	0.328	1.290	[0.912, 1.825]	0.150
Missing BMI	1.097	[0.840, 1.434]	0.497	1.233	[0.936, 1.624]	0.137
Vaccine dose						
<3 doses	Ref.			Ref.		
≥3 doses	0.788	[0.447, 1.387]	0.409	1.071	[0.853, 1.346]	0.554
Infection duration						
Missing	1.031	[1.003, 1.060]	0.029	1.030	[1.001, 1.061]	0.046
Missing	1.872	[0.239, 14.674]	0.551	1.803	[0.225, 14.421]	0.579
Vaccination after infection						
NO	Ref.			Ref.		
YES	0.697	[0.545, 0.892]	0.003	0.708	[0.548, 0.916]	0.009
Missing	0.531	[0.313, 0.900]	0.019	0.808	[0.537, 1.217]	0.308
At least one comorbidity, n (%)						
Diabetes	0.919	[0.560, 1.508]	0.738	1.067	[0.637, 1.787]	0.805
Hypertension	1.022	[0.742, 1.408]	0.894	1.322	[0.924, 1.890]	0.126
Respiratory disease	0.955	[0.441, 2.067]	0.908	0.873	[0.400, 1.907]	0.734
Hyperlipidemia	1.048	[0.657, 1.671]	0.845	1.145	[0.701, 1.868]	0.589
Liver disease	1.544	[0.551, 4.327]	0.409	1.767	[0.624, 5.003]	0.284
Cardio-cerebrovascular disease	1.321	[0.766, 2.280]	0.317	1.636	[0.929, 2.881]	0.088
Renal disease	0.993	[0.130, 7.600]	0.995	1.396	[0.179, 10.916]	0.750

Psychological disease	1.177	[0.359, 3.865]	0.788	1.137	[0.342, 3.778]	0.834
Endocrine disease	1.392	[0.637, 3.038]	0.407	1.236	[0.560, 2.729]	0.600
Eyes, ear, nose, throat disease	2.643	[1.182, 5.910]	0.018	2.983	[1.316, 6.761]	0.009
New disease development	1.329	[0.748, 2.361]	0.333	1.073	[0.594, 1.938]	0.816
Post-infection impact						
No impact	Ref.			Ref.		
Acceptable impact	1.452	[1.139, 1.852]	0.003	1.316	[1.027, 1.687]	0.030
Severe impact	1.845	[1.256, 2.709]	0.002	1.651	[1.108, 2.459]	0.014
Missing	1.469	[0.040, 0.056]	0.034	1.522	[1.057, 2.191]	0.024

147

148 3.4 Symptom profiles of reinfection

149 Figure 4 shows the symptom profile of the first reinfection and primary infection of the same population
 150 (n = 278), which included the prevalence of 15 symptoms among those who were reinfected once. The
 151 top 5 most prevalent symptoms after reinfection were identified as follows: fatigue (34.17%), cough
 152 (33.09%), sputum (12.95%), headache (10.79%), and muscle pain (9.71%). Significant differences were
 153 observed in most of the symptoms between the reinfection group and the primary infection group. Among
 154 them, cough, sputum, dry throat, sore throat, itchy throat, abdominal distension, and diarrhea showed
 155 highly significant differences ($p < 0.001$), while chest tightness, abdominal pain, and nausea exhibited
 156 significant differences ($p < 0.01$). For those who had a primary infection and reinfection afterward, their
 157 symptom types experienced during reinfection were generally similar to those observed during the
 158 primary infection. The prevalence of most of the investigated symptoms after reinfection was lower than
 159 that observed during the primary infection.



160

161 **Figure 4. Symptom profile (the prevalence of 15 symptoms) of the first reinfection vs. primary infection.**

162 Patients with one reinfection was included in this plot, while patients had two reinfections were excluded. “***”

163 means $p < 0.001$; “**” means $p < 0.01$.

164

165 4. Discussion

166 To our knowledge, this study investigated the incidence, risk factors, and clinical symptom profile of
 167 Omicron reinfection in Hong Kong for the first time, with a large sample size and an overall age
 168 distribution. Based on our results, the reinfection incidence was 5.18% during the Omicron outbreak in
 169 Hong Kong, which was different from other studies. A reinfection rate of 11.5% was reported in Iceland
 170 during the Omicron period [27]. A study conducted in Korea reported a reinfection rate of 3% during the
 171 Omicron BA.2 period [28]. The reinfection incidence was 0.66% (Omicron BA.1-dominated period) in
 172 Kyoto, Japan [13]. In general, the reinfection rates from different areas reflect that the Omicron variant
 173 has been a persistent threat to the global healthcare system.

174 Our finding suggested that females were more likely to have reinfection, which aligned with the cases
175 observed in primary infection in previous studies [22,29,30]. With respect to age, a plausible explanation
176 for the increased susceptibility to reinfection among individuals over 70 years old could be their tendency
177 to have fewer social interactions or lower exposure to high-risk environments compared to younger
178 individuals, which may reduce their chances of encountering situations that lead to reinfection [13].
179 According to a report from the CDC, patients with a weakened immune system are more likely to be
180 infected with COVID-19 for a more extended period [31]. Therefore, a longer duration of primary
181 infection could increase the risk of reinfection, which may imply that individuals with a lower level of
182 immune response could be more susceptible to reinfection. Additionally, comorbidity of ear, nose, throat
183 disease may compromise immune barrier function in the nasal and pharyngeal regions, potentially
184 increasing susceptibility to reinfections. Individuals who experienced a severe impact on life and work
185 were at a higher risk of reinfection, which may also be attributed to residual immune deficiencies
186 following primary infection recovery [31]. These hypotheses require further research to be confirmed.

187 Notably, vaccination after primary infection was associated with a lower risk of reinfection, which was in
188 line with several other studies [32,33]. Our results also suggested no significant difference found in
189 reinfection rates between the CoronaVac vaccine and the BNT162b2 vaccine. However, a previous study
190 has reported that receiving mRNA vaccines leads to a lower reinfection rate than inactivated vaccines [34],
191 while another study suggested that Combined vaccination may offer superior reinfection protection than
192 either alone [35]. Considering the potential long-term persistence of the SARS-CoV-2 virus, individuals
193 with relatively lower immune responses may benefit from a booster vaccination after primary infection,
194 and further investigations were required to confirm the effects of different vaccine types.

195 Regarding the clinical symptom profile, the incidence of most reinfection symptoms was significantly
196 lower than primary infection. This was consistent with a study reporting that 80.7% of the reinfection
197 patients had mitigated or similar clinical symptoms compared with their first infection [11]. However, the
198 prevalence of fatigue did not exhibit a significant difference. Fatigue, as one of the most common

199 symptoms of long COVID, is prone to persist with repeated infections [21,36]. The lack of medications
200 specifically targeting post-infection fatigue in COVID-19 patients requires further research.

201

202 4.1 Strengths and limitations

203 The strengths of our study are as follows. PSM was utilized in statistical analysis to balance the unequal
204 sample sizes of the reinfection and non-reinfection groups, thereby making our results more reliable. In
205 addition to demographic factors, several additional factors such as infection duration during primary
206 infection, comorbidity of eyes, ear, nose, throat disease, and impact on life and work after primary
207 infection were accounted for the first time in this study. Clinical symptoms of reinfection versus the first
208 infection were analyzed in this study, providing a more comprehensive understanding of the reinfection
209 profile.

210 There are several limitations in our study. First, the reinfection incidence might be underestimated as
211 some reinfected individuals might not have been diagnosed. Second, follow-up records via telephone may
212 introduce subjective bias and affect data reliability. Furthermore, the investigated population was regional
213 and limited to Hong Kong, which may not represent the general population well.

214

215 **5. Conclusion**

216 In conclusion, this retrospective cohort study investigated the prevalence, risk factors, and symptom
217 profile of COVID-19 reinfection during the Omicron-dominated outbreak in Hong Kong. No significant
218 difference was found in the BNT162b2 vaccine and the CoronaVac vaccine. Populations with female
219 gender, longer infection duration, having comorbidity of eyes, ear, nose, throat disease, having post-
220 infection life impact, and no vaccination after primary infection were identified to be more susceptible to
221 experience reinfection, while being ≥ 70 years old exhibited a lower reinfection risk. Fewer patients

222 reported experiencing the majority of investigated clinical symptoms except fatigue during reinfection
223 compared to their first infection. Notably, the finding of vaccination after infection can potentially inform
224 the development of epidemic preventive measures, particularly policies regarding booster vaccination
225 after infection, and ongoing updates for vaccines are also imperative to effectively combat the evolving
226 nature of the virus. This study has the potential to provide valuable insights pertaining to the prevention of
227 reinfection outbreaks and the associated health ramifications arising from reinfection occurrences.

228

229 **Abbreviations**

230 COVID-19: Coronavirus disease 2019

231 SARS-CoV-2: Severe acute respiratory syndrome coronavirus 2

232 WHO: World Health Organization

233 PCR: polymerase chain reaction

234 RAT: rapid antigen test

235 SD: standard deviation

236 IQR: interquartile range

237 PSM: propensity score matching

238 aOR: adjusted odd ratios

239 OR: unadjusted odd ratios

240

241 **Declarations**

242 **Ethics approval and consent to participate**

243 Ethics committee of Hong Kong Baptist University waived ethical approval for this work. Informed
244 consent for the telephone-visit data collection was provided by all patients. The reporting of this study is
245 in accordance with the recommendations of the STROBE (Strengthening the Reporting of Observational
246 Studies in Epidemiology) guidelines [37].

247

248 **Consent for publication**

249 All authors meet the requirements for authorship as stated in this document and have read and approved
250 the final manuscript.

251

252 **Availability of data and materials**

253 Individual, de - identified patient data can be available upon request from the corresponding authors.

254

255 **Competing interests**

256 The authors declare that they have no known competing financial interests or personal relationships that
257 could have appeared to influence the work reported in this paper.

258

259 **Funding**

260 This research is supported by the Research Grants Council of Hong Kong (Grant No. C2005-22Y), the
261 National Natural Science Foundation of China (Grant No. 12275229), and the Hong Kong Chinese
262 Medicine Development Fund (Grant No. 22B2/049A).

263

264 **Author contribution**

265 L Tian, A Lyu, and Z Bian conceived and designed the study; Z Huang performed all the statistical
266 analysis. Z Huang, J Luo, L Tian, A Lyu, and Z Bian interpreted the results. H Li and X Cheng
267 contributed to the data processing; J Luo, J Zhang, H Wong, H To Tang, and C Cheung collected the raw
268 data. Z Huang and J Luo wrote the manuscript; L Tian, A Lyu and Z Bian edited the manuscript. All
269 authors read and approved the manuscript.

270

271 **Acknowledgements**

272 We thank Leihan Tang, Linda Zhong, and Xin Xiong for valuable discussions.

273

274 **Reference**

- 275 [1] WHO. Coronavirus disease (COVID-19). 2021 n.d. [https://www.who.int/health-](https://www.who.int/health-topics/coronavirus#tab=tab_1)
276 [topics/coronavirus#tab=tab_1](https://www.who.int/health-topics/coronavirus#tab=tab_1) (accessed November 12, 2023).
- 277 [2] WHO. Coronavirus disease (COVID-19) pandemic. 2022 n.d.
278 <https://www.who.int/europe/emergencies/situations/covid-19> (accessed November 8,
279 2023).
- 280 [3] WHO. WHO Director-General’s opening remarks at the media briefing on COVID-19 - 11
281 March 2020 2020. [https://www.who.int/director-general/speeches/detail/who-director-](https://www.who.int/director-general/speeches/detail/who-director-general-s-opening-remarks-at-the-media-briefing-on-covid-19---11-march-2020)
282 [general-s-opening-remarks-at-the-media-briefing-on-covid-19---11-march-2020](https://www.who.int/director-general/speeches/detail/who-director-general-s-opening-remarks-at-the-media-briefing-on-covid-19---11-march-2020) (accessed
283 December 12, 2023).
- 284 [4] Andersen KG, Rambaut A, Lipkin WI, Holmes EC, Garry RF. The proximal origin of SARS-
285 CoV-2. *Nat Med* 2020;26:450–2. <https://doi.org/10.1038/s41591-020-0820-9>.

- 286 [5] Wu F, Zhao S, Yu B, Chen YM, Wang W, Song ZG, et al. A new coronavirus associated with
287 human respiratory disease in China. *Nature* 2020;579:265–9.
288 <https://doi.org/10.1038/s41586-020-2008-3>.
- 289 [6] Zhou P, Yang X Lou, Wang XG, Hu B, Zhang L, Zhang W, et al. A pneumonia outbreak
290 associated with a new coronavirus of probable bat origin. *Nature* 2020;579:270–3.
291 <https://doi.org/10.1038/s41586-020-2012-7>.
- 292 [7] WHO. WHO Coronavirus (COVID-19) Dashboard n.d. <https://covid19.who.int/> (accessed
293 November 12, 2023).
- 294 [8] WHO. Tracking SARS-CoV-2 variants n.d. [https://www.who.int/activities/tracking-SARS-](https://www.who.int/activities/tracking-SARS-CoV-2-variants)
295 [CoV-2-variants](https://www.who.int/activities/tracking-SARS-CoV-2-variants) (accessed November 8, 2023).
- 296 [9] Kai-Wang To K, Fan-Ngai Hung I, Daniel Ip J, Wing-Ho Chu A, Chan W-M, Raymond Tam A,
297 et al. COVID-19 re-infection by a phylogenetically distinct SARS-coronavirus-2 strain
298 confirmed by whole genome sequencing. n.d.
- 299 [10] World Health Organization. WHO Director-General’s opening remarks at the media
300 briefing – 5 May 2023 n.d. [https://www.who.int/director-general/speeches/detail/who-](https://www.who.int/director-general/speeches/detail/who-director-general-s-opening-remarks-at-the-media-briefing---5-may-2023)
301 [director-general-s-opening-remarks-at-the-media-briefing---5-may-2023](https://www.who.int/director-general/speeches/detail/who-director-general-s-opening-remarks-at-the-media-briefing---5-may-2023) (accessed
302 February 21, 2024).
- 303 [11] Lin M, Cao K, Xu F, Wu X, Shen Y, Lu S, et al. A follow-up study on the recovery and
304 reinfection of Omicron COVID-19 patients in Shanghai, China. *Emerg Microbes Infect*
305 2023;12. <https://doi.org/10.1080/22221751.2023.2261559>.
- 306 [12] Ma KC, Dorabawila V, León TM, Henry H, Johnson AG, Rosenberg E, et al. Trends in
307 Laboratory-Confirmed SARS-CoV-2 Reinfections and Associated Hospitalizations and

- 308 Deaths Among Adults Aged ≥ 18 Years — 18 U.S. Jurisdictions, September 2021–December
309 2022. 2021.
- 310 [13] Nagao M, Matsumura Y, Yamamoto M, Shinohara K, Noguchi T, Yukawa S, et al. Incidence
311 of and risk factors for suspected COVID-19 reinfection in Kyoto City: a population-based
312 epidemiological study. *European Journal of Clinical Microbiology and Infectious Diseases*
313 2023;42:973–9. <https://doi.org/10.1007/s10096-023-04625-6>.
- 314 [14] COVID-19 Activity Increases as Prevalence of JN.1 Variant Continues to Rise 2024.
315 <https://www.cdc.gov/respiratory-viruses/whats-new/JN.1-update-2024-01-05.html>
316 (accessed January 19, 2024).
- 317 [15] Ukwishaka J, Ndayishimiye Y, Destine E, Danwang C, Kirakoya-Samadoulougou F. Global
318 prevalence of coronavirus disease 2019 reinfection: a systematic review and meta-analysis.
319 *BMC Public Health* 2023;23. <https://doi.org/10.1186/s12889-023-15626-7>.
- 320 [16] Lee JH, Hwang JH, Jang EJ, Kim RK, Lee KH, Park SK, et al. Risk Factors Related to COVID-19
321 Reinfection and Fatality During the Omicron (BA.1/BA.2) Period in Korea. *J Korean Med Sci*
322 2023;38. <https://doi.org/10.3346/jkms.2023.38.e269>.
- 323 [17] Flacco ME, Acuti Martellucci C, Baccolini V, De Vito C, Renzi E, Villari P, et al. COVID-19
324 vaccines reduce the risk of SARS-CoV-2 reinfection and hospitalization: Meta-analysis.
325 *Front Med (Lausanne)* 2022;9. <https://doi.org/10.3389/fmed.2022.1023507>.
- 326 [18] The Government of the Hong Kong Special Administrative Region. Archive of statistics on
327 5th wave of COVID-19. n.d.

- 328 [19] Xie R, Edwards KM, Adam DC, Leung KSM, Tsang TK, Gurung S, et al. Resurgence of
329 Omicron BA.2 in SARS-CoV-2 infection-naive Hong Kong. *Nat Commun* 2023;14.
330 <https://doi.org/10.1038/s41467-023-38201-5>.
- 331 [20] The Government of the Hong Kong Special Administrative Region. COVID-19 Vaccination
332 Programme - FAQs 2024. <https://www.chp.gov.hk/en/features/106953.html> (accessed
333 January 19, 2024).
- 334 [21] Luo J, Zhang J, Tang HT, Wong HK, Lyu A, Cheung CH, et al. Prevalence and risk factors of
335 long COVID 6–12 months after infection with the Omicron variant among nonhospitalized
336 patients in Hong Kong. *J Med Virol* 2023;95. <https://doi.org/10.1002/jmv.28862>.
- 337 [22] Luo J, Zhang J, Tang HT, Wong HK, Ma Y, Xie D, et al. Weekly symptom profiles of
338 nonhospitalized individuals infected with SARS-CoV-2 during the Omicron outbreak in
339 Hong Kong: A retrospective observational study from a telemedicine center. *J Med Virol*
340 2023;95. <https://doi.org/10.1002/jmv.28447>.
- 341 [23] The Government of the Hong Kong Special Administrative Region. Government gazettes
342 compulsory testing notice n.d.
343 <https://www.info.gov.hk/gia/general/202110/11/P2021101101006.htm?fontSize=1>
344 (accessed February 19, 2024).
- 345 [24] The Government of the Hong Kong Special Administrative Region. Government adjusts
346 local anti-epidemic measures n.d.
347 <https://www.info.gov.hk/gia/general/202212/29/P2022122900035.htm?fontSize=1>
348 (accessed February 19, 2024).

- 349 [25] CDC. What is COVID-19 Reinfection? 2023. [https://www.cdc.gov/coronavirus/2019-](https://www.cdc.gov/coronavirus/2019-ncov/your-health/reinfection.html)
350 [ncov/your-health/reinfection.html](https://www.cdc.gov/coronavirus/2019-ncov/your-health/reinfection.html) (accessed February 1, 2024).
- 351 [26] Rosenbaum PR, Rubin DB. The central role of the propensity score in observational studies
352 for causal effects. vol. 70. 1083.
- 353 [27] Eythorsson E, Runolfsson HL, Ingvarsson RF, Sigurdsson MI, Palsson R. Rate of SARS-CoV-
354 2 Reinfection during an Omicron Wave in Iceland. *JAMA Netw Open* 2022;5:E2225320.
355 <https://doi.org/10.1001/jamanetworkopen.2022.25320>.
- 356 [28] Lee JH, Hwang JH, Jang EJ, Kim RK, Lee KH, Park SK, et al. Risk Factors Related to COVID-19
357 Reinfection and Fatality During the Omicron (BA.1/BA.2) Period in Korea. *J Korean Med Sci*
358 2023;38:e269. <https://doi.org/10.3346/jkms.2023.38.e269>.
- 359 [29] Abdelrahman MM, Abd-Elrahman NM, Bakheet TM. Persistence of symptoms after
360 improvement of acute COVID19 infection, a longitudinal study. *J Med Virol* 2021;93:5942–
361 6. <https://doi.org/10.1002/jmv.27156>.
- 362 [30] Adrielle dos Santos L, Filho PG de G, Silva AMF, Santos JVG, Santos DS, Aquino MM, et al.
363 Recurrent COVID-19 including evidence of reinfection and enhanced severity in thirty
364 Brazilian healthcare workers. *Journal of Infection* 2021;82:399–406.
365 <https://doi.org/10.1016/j.jinf.2021.01.020>.
- 366 [31] CDC. People Who Are Immunocompromised 2023.
367 [https://www.cdc.gov/coronavirus/2019-ncov/need-extra-precautions/people-who-are-](https://www.cdc.gov/coronavirus/2019-ncov/need-extra-precautions/people-who-are-immunocompromised.html)
368 [immunocompromised.html](https://www.cdc.gov/coronavirus/2019-ncov/need-extra-precautions/people-who-are-immunocompromised.html) (accessed January 19, 2024).

- 369 [32] Lewis N, Chambers LC, Chu HT, Fortnam T, De Vito R, Gargano LM, et al. Effectiveness
370 Associated with Vaccination after COVID-19 Recovery in Preventing Reinfection. *JAMA*
371 *Netw Open* 2022;5:E2223917. <https://doi.org/10.1001/jamanetworkopen.2022.23917>.
- 372 [33] Cavanaugh AM, Spicer KB, Thoroughman D, Glick C, Winter K. Reduced Risk of Reinfection
373 with SARS-CoV-2 After COVID-19 Vaccination - Kentucky, May-June 2021. 2021.
- 374 [34] Tan-Lim CSC, Gonzales MLAM, Dans LF, Cordero CP, Alejandria MM, dela Paz ECC, et al.
375 Reinfection rates, change in antibody titers and adverse events after COVID-19 vaccination
376 among patients previously infected with COVID-19 in Metro Manila, Philippines: a
377 secondary analysis of a completed cohort study. *BMC Infect Dis* 2023;23.
378 <https://doi.org/10.1186/s12879-023-08743-6>.
- 379 [35] Vicentini M, Venturelli F, Mancuso P, Bisaccia E, Zerbini A, Massari M, et al. Risk of SARS-
380 CoV-2 reinfection by vaccination status, predominant variant and time from prior infection:
381 a cohort study, Reggio Emilia province, Italy, February 2020 to February 2022.
382 *Eurosurveillance* 2023;28. <https://doi.org/10.2807/1560-7917.ES.2023.28.13.2200494>.
- 383 [36] O'Mahoney LL, Routen A, Gillies C, Ekezie W, Welford A, Zhang A, et al. The prevalence and
384 long-term health effects of Long Covid among hospitalised and non-hospitalised
385 populations: A systematic review and meta-analysis. *EClinicalMedicine* 2023;55.
386 <https://doi.org/10.1016/j.eclinm.2022.101762>.
- 387 [37] von Elm E, Altman DG, Egger M, Pocock SJ, Gøtzsche PC, Vandenbroucke JP. The
388 Strengthening the Reporting of Observational Studies in Epidemiology (STROBE) statement:
389 guidelines for reporting observational studies. *J Clin Epidemiol* 2008;61:344–9.
390 <https://doi.org/10.1016/j.jclinepi.2007.11.008>.

391

392

393