

1 **Full title: Impact of human movement between hypo- and**  
2 **hyperendemic areas on sustainability of elimination of**  
3 ***Onchocerca volvulus* transmission**

4 **Short title:** Modeling impacts of human movement on onchocerciasis transmission

5 Karen McCulloch<sup>1,2</sup>, Shannon M. Hedtke<sup>1\*</sup>, James McCaw<sup>3,4,2</sup>, Jodie McVernon<sup>2,4,5</sup>, María-  
6 Gloria Basáñez<sup>6</sup>, Martin Walker<sup>6</sup>, Annette C. Kuesel<sup>7</sup>, Warwick N. Grant<sup>1</sup>

7

8 **1** Department of Environment and Genetics, La Trobe University, Bundoora, Victoria,  
9 Australia.

10 **2** Department of Infectious Diseases, Melbourne Medical School, University of Melbourne at  
11 The Peter Doherty Institute for Infection and Immunity, Parkville, Victoria, Australia.

12 **3** School of Mathematics and Statistics, The University of Melbourne, Parkville, Victoria,  
13 Australia.

14 **4** Centre for Epidemiology and Statistics, Melbourne School of Population and Global  
15 Health, The University of Melbourne, Parkville, Victoria, Australia.

16 **5** Infection Modelling, Murdoch Children's Research Institute, Melbourne, Victoria,  
17 Australia.

18 **6** MRC Centre for Global Infectious Disease Analysis and London Centre for Neglected  
19 Tropical Disease Research, Department of Infectious Disease Epidemiology, School of  
20 Public Health, Imperial College London, London, United Kingdom.

21 **7** UNICEF/UNDP/World Bank/World Health Organization Special Programme for Research  
22 and Training in Tropical Diseases (TDR), World Health Organization, Geneva, Switzerland.

23

24 \* *Corresponding author: Shannon Hedtke - S.Hedtke@latrobe.edu.au*

25

## 26 **Abstract**

### 27 **Background**

28 Onchocerciasis is a vector-borne disease caused by the filarial nematode *Onchocerca*  
29 *volvulus*. Endemic countries target elimination of parasite transmission using primarily  
30 annual ivermectin mass administration. Elimination is particularly challenging in sub-  
31 Saharan Africa, where there are large contiguous areas with varying levels of endemicity  
32 and intervention history. We examined one challenge to elimination that has received little  
33 attention to date: movement of people between areas.

### 34 **Methodology/Principal Findings**

35 We extended one of the commonly used onchocerciasis transmission models, EPIONCHO,  
36 to allow modelling the effect of movement of people and/or flies between areas  
37 (“patches”). We explored the impact of humans travelling between a hypoendemic area  
38 (i.e., with low vector biting rates) with no history of interventions and a hyperendemic area  
39 (high vector biting rates) that stopped intervention (ivermectin mass administration) after  
40 infection prevalence decreased below 1.4%. Our results suggest that human travel in either  
41 direction will accelerate recrudescence in the hyperendemic area to pre-intervention  
42 levels, relative to recrudescence without travel, and can reduce the annual biting rate  
43 required for parasite transmission within hypoendemic areas.

### 44 **Conclusions/Significance**

45 Our results emphasize the importance of decisions on which hypoendemic areas to include  
46 in interventions and suggest that transmission mediated by human movement needs to be  
47 considered when planning (a) the geographic areas and sampling density for evaluations  
48 for decisions on when and where to stop interventions, (b) where, how often, and for how  
49 long to conduct post-intervention surveillance for verification of elimination of  
50 transmission and (c) where and how frequently to conduct post-elimination surveillance.  
51 Given the cost implications of stopping interventions too early or later than necessary, we  
52 encourage the development of models such as the one presented here for quantitating the  
53 impact of human and vector movement between areas on the risk and timeframe of  
54 recrudescence after interventions are stopped to inform economic analyses.

## 55 **Author summary**

56 Onchocerciasis is an infectious parasitic disease that causes significant morbidity, from  
57 incessant skin itching to blindness. Onchocerciasis has also been implicated as the cause of  
58 high epilepsy rates. Efforts are underway to eliminate the parasite. Mathematical models  
59 for parasite transmission between humans via blackflies can be used to explore how  
60 interventions (e.g., mass drug administration or blackfly control) impact the percentage of  
61 people infected (infection prevalence). We extended a commonly used model to explore  
62 how people travelling between areas that differ in blackfly abundance, infection  
63 prevalence, and past interventions affects infection prevalence. We found that people  
64 travelling between an area with few blackflies (hypoendemic), low infection prevalence,

65 and no interventions and an area with many blackflies (hyperendemic) but very low  
66 infection prevalence thanks to many years of mass drug administration which was then  
67 stopped will accelerate the increase in infection prevalence in the hyperendemic area  
68 compared to a situation where no people travel between these areas. This means that  
69 strategies for onchocerciasis elimination need to consider the effect of humans travelling.

## 70 Introduction

71 Onchocerciasis is a neglected tropical disease caused by the filarial nematode *Onchocerca*  
72 *volvulus* transmitted by *Simulium* (blackfly) vectors [1-3]. The prevalence of infection and  
73 morbidity and the resulting socio-economic impact have motivated large-scale control and  
74 elimination programs in affected countries in Central and South America, Sudan, Yemen,  
75 and sub-Saharan Africa. In 2020, around 240 million people were estimated to require  
76 inclusion in these programs, with >99% in sub-Saharan Africa [4]. The principal  
77 intervention is currently annual, and in some cases biannual, mass drug administration of  
78 ivermectin (MDAi).

79 For many years, it was assumed that MDAi could eliminate *O. volvulus* transmission in the  
80 small endemic areas in the Americas and possibly Yemen, but not across sub-Saharan  
81 Africa [5]. However, research and epidemiological evaluations indicated that MDAi reduced  
82 prevalence of infection in many areas in Africa more effectively than anticipated [6-9]. This  
83 has resulted in African endemic countries now targeting not only control of onchocerciasis  
84 as a public health problem, but elimination of parasite transmission [10, 11]. This shift  
85 requires re-evaluation of current activities and tools used for determining where, and for  
86 how long, which interventions need to be deployed, and subsequent development of new  
87 tools, activities, and strategies where needed [3, 12-23].

88 The impact of the highly heterogeneous prevalence of onchocerciasis in sub-Saharan Africa  
89 [24-26] on persistence of transmission needs to be incorporated into this decision making.  
90 Areas pre-MDAi were categorized based on estimated subcutaneous nodule prevalence as  
91 hypoendemic, defined in countries working with the African Programme for  
92 Onchocerciasis Control (APOC; 1995-2015) as areas where estimated subcutaneous nodule  
93 prevalence was <20% (corresponding, with wide variation, to a skin microfilariae [mf]  
94 prevalence of <35% [27-30], mesoendemic (nodule prevalence 20-40%; approximate mf  
95 prevalence 35-60%), and hyperendemic (nodule prevalence >40%; mf prevalence >60%).  
96 Importantly, while onchocerciasis control as a public health problem was targeted,  
97 onchocerciasis hypoendemic areas were included in MDAi only when they belonged to a  
98 health system administrative unit which included meso- and hyperendemic areas [31, 32].  
99 While the source of infections in hypoendemic areas may be nearby meso- or  
100 hyperendemic areas, modeling has demonstrated plausible mechanisms for stable and self-  
101 sustaining hypoendemic transmission [33]. To achieve sustainable elimination of  
102 transmission, we need to understand the risks hypoendemic areas pose to elimination in  
103 the absence of interventions. and develop tools for national programs to determine where  
104 interventions are needed and where and when to stop MDAi (and/or other interventions, if  
105 applicable). Furthermore, we need to delineate the geographic areas which belong to an  
106 'endemic onchocerciasis focus' that need to be included in evaluations for stop MDAi

107 decisions and to determine where, how frequently, and for what duration to carry out post-  
108 MDA surveillance as well as surveillance after elimination of transmission has been verified  
109 by WHO.

110 Mathematical modeling of *O. volvulus* transmission and the effect of vector control or MDAi  
111 has for many years informed program strategies and objectives [31, 34-41]. This has  
112 included estimating the time periods during which countries may meet the APOC-defined  
113 provisional operational threshold for treatment interruption and commencement of  
114 surveillance (pOTTIS) based on pre-MDAi endemicity, reported MDAi duration, and  
115 treatment coverage [31, 42] and identification of barriers for reducing infection prevalence,  
116 particularly in meso- and hyperendemic areas (including low treatment coverage (i.e., low  
117 proportion of a community taking ivermectin in each round of MDAi) and/or systematic  
118 non-compliance (i.e., proportion of individuals never or very rarely taking ivermectin)) [37,  
119 39, 43]. Recently, the ONCHOSIM [34, 36, 38, 39] and EPIONCHO [39, 40, 44-46] models  
120 have been extended to incorporate different types of heterogeneity, such as in human host  
121 mixing patterns [33] or exposure to blackflies [47], to understand the impact these factors  
122 have on elimination efforts. Equally critical to inform country programs is quantifying  
123 uncertainty in modeled thresholds [48, 49] or duration of MDAi to achieve elimination [37]  
124 due to assumptions about parameter estimates, such as density-dependent regulation of  
125 parasite establishment within the human and vector hosts [47, 50]. Modelling is also now  
126 addressing challenges for decisions on where and when to stop MDAi so that elimination is  
127 sustained, including the appropriateness of the criteria and procedures for stopping MDAi  
128 in the WHO 2016 guidance and the impact of strategies other than MDAi [3, 12, 50-56].

129 The impact of heterogeneity over different geographic scales in endemicity and  
130 intervention history and the role of human and vector movement on transmission on  
131 elimination efforts remain largely unexplored. This includes the potential for re-  
132 introduction of parasites through human or vector movement from areas with ongoing  
133 transmission into areas where interventions were stopped after transmission was  
134 considered to have been eliminated [57-59]. Long-range seasonal vector migration was  
135 already recognized as an important challenge for interrupting transmission through vector  
136 elimination by the Onchocerciasis Control Programme in West Africa (OCP, 1974-2002)  
137 [60-65]. People travel within and across countries for many reasons, including, but not  
138 limited, to work, visiting family, or attending ceremonies and celebrations. This may impact  
139 parasite transmission. In this context, the exclusion of hypoendemic areas from MDAi while  
140 control of onchocerciasis as a public health problem, not elimination of transmission was  
141 targeted, has prompted several questions, including (i) what sustains low levels of infection  
142 in these areas, i.e., is transmission ongoing within these areas or is there ongoing import of  
143 infections from meso- or hyperendemic areas? and (ii) do these areas pose a risk for  
144 recrudescence in areas which have met MDAi cessation criteria and discontinued MDAi?

145 Modeling studies have been utilized to address question (i), and illustrated that sustained  
146 transmission in isolated hypoendemic areas could be attributed to increased assortative  
147 mixing within the human host population, i.e., when individuals with similar exposure to  
148 blackfly bites are more connected to each other [33]. They showed that onchocerciasis  
149 transmission could not be sustained below 35% mf prevalence if the human population  
150 was assumed to be homogeneously mixing given moderate levels of heterogeneity in

151 exposure to vectors. However, when the human population was assumed to have  
152 heterogeneous exposure to blackflies with assortative mixing, onchocerciasis transmission  
153 could be sustained at mf prevalence levels as low as 8%. The recent extension of the  
154 ONCHOSIM model to consider spatial heterogeneity in transmission of *O. volvulus* between  
155 areas of different endemicity and intervention history demonstrated that in hypoendemic  
156 settings with an annual biting rate (ABR) below the threshold required to sustain  
157 transmission of *O. volvulus*, transmission can persist if there is regular movement of  
158 infected humans or infective blackflies from areas of higher ABR [56]. The authors  
159 concluded that expanding MDAi into hypoendemic areas would shorten the duration of  
160 MDAi required to achieve elimination in nearby meso- and hyperendemic areas ‘connected’  
161 to the hypoendemic areas through human movement.

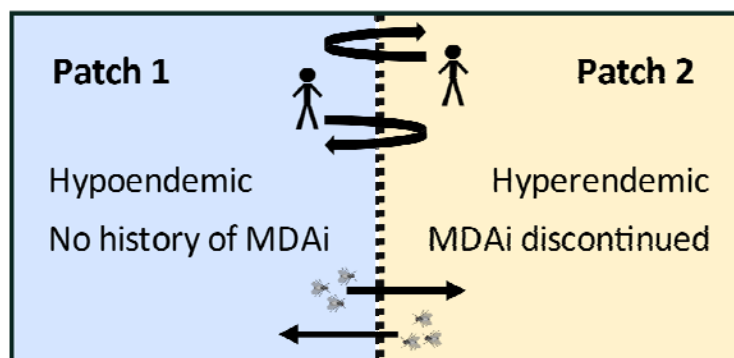
162 In this paper, we focus on addressing question (ii) to understand the risk hypoendemic  
163 areas pose for recrudescence in nearby hyperendemic areas which have discontinued  
164 MDAi. We introduce a deterministic patch model framework describing the transmission of  
165 *O. volvulus* in areas of different levels of endemicity and/or MDAi history and assessing the  
166 impact that human and blackfly movement between these areas has on the prevalence of  
167 infection. We utilize this model to explore the impact of humans moving between a  
168 hypoendemic area, where MDAi was never implemented, and a hyperendemic area, where  
169 MDAi was discontinued (illustrated in Fig 1) on infection prevalence and the annual  
170 transmission potential (ATP) in both areas and thus the risk and time-frame of  
171 recrudescence in the post-MDAi hyperendemic area and sustainability of local transmission  
172 in the hypoendemic area.

## 173 **Methods**

174 The population-based deterministic model EPIONCHO [37, 39, 40, 44, 46] describes the  
175 transmission of *O. volvulus* within a single homogeneously mixing population. EPIONCHO is  
176 an “intensity” compartmental model. Unlike epidemic compartmental models (e.g. [66])  
177 where the number of susceptible and infected hosts are each tracked, intensity models  
178 track the average parasite intensity within the human and vector host populations.  
179 Intensity models that track the distribution of parasites within the human and vector host  
180 populations are commonly used to model macroparasitic diseases, including lymphatic  
181 filariasis [67-69] and onchocerciasis [34, 38-40, 44, 46].

182 Patch models, sometimes referred to as metapopulation models, have been utilized to  
183 model the spread of infection where transmission between populations or areas is  
184 important. In a patch model, the population of interest is divided into distinct  
185 subpopulations (or patches), where each patch has distinct characteristics such as  
186 population size and disease transmission dynamics [66, 70]. An illustration of a 2-patch  
187 model is shown in Figure 1 and Figure 2.

188



189

190 **Figure 1. Illustration of modeled movement between two areas (patches) with different endemicity**  
 191 **and control history.** Human movement is modeled as commuting and vector movement as migration.

192 EPIONCHO as described by Filipe et al. [46] is an age- and sex-structured model for the  
 193 intensity of *O. volvulus* infection that incorporates parasite regulation within the humans  
 194 and vector hosts, in addition to heterogeneity in exposure to blackfly bites. This model  
 195 provides a realistic model framework for the transmission dynamics of *O. volvulus* (later  
 196 expanded to incorporate interventions such as MDAi or vector control [71]). Here, we  
 197 extended this framework into a patch model to describe the impact of human and vector  
 198 movement on the transmission of *O. volvulus* between numerous areas (patches) of  
 199 different endemicity (determined by the density of vectors) and MDAi history, resulting in  
 200 different prevalence and intensity of infection in humans and vectors.

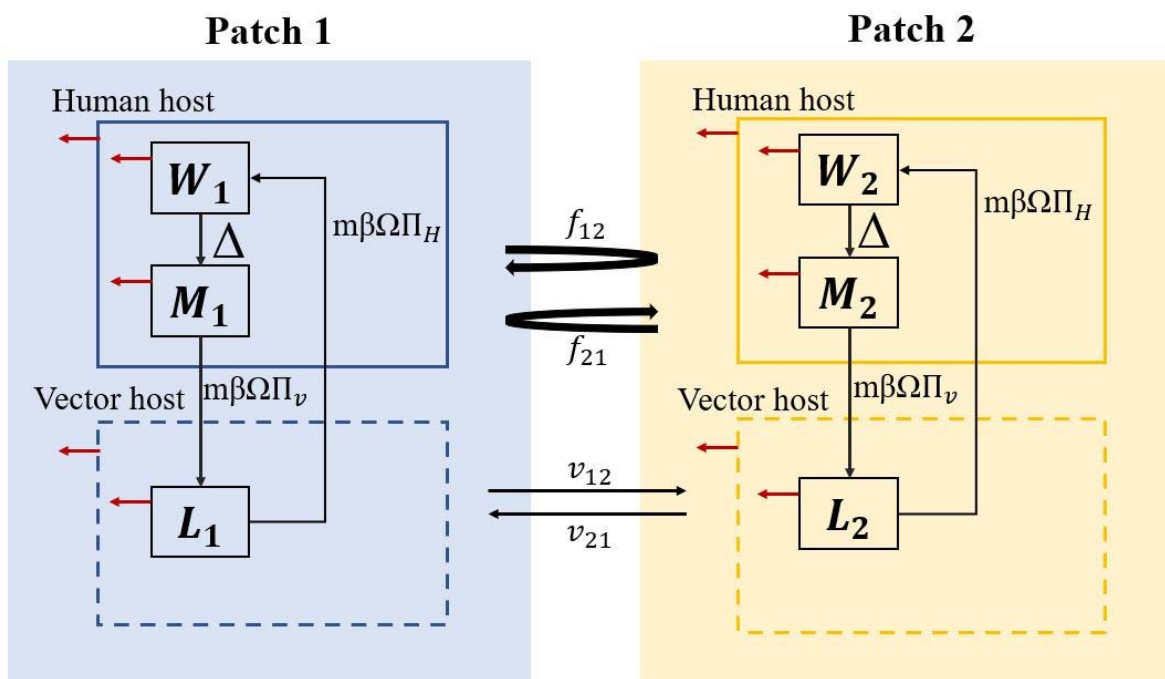
## 201 Model equations and parameters

202 The intensity of *O. volvulus* infection changes over time and with host age, as described by  
 203 the system of partial differential equations (PDEs) S.1 – S.8 in Table S1 in S1 File for a 2-  
 204 patch model. The model describes, with respect to time ( $t$ ) and host age ( $a$ ), the number of  
 205 adult worms in human host of sex  $s$  resident in patch  $i$  ( $W_{i,s,a,t}$ ), the number of mf in the skin  
 206 of human hosts of sex  $s$  resident in patch  $i$  ( $M_{i,s,a,t}$ ), and the number of infective larvae in the  
 207 blackfly population in patch  $i$  biting human hosts of sex  $s$  ( $L_{i,s,t}$ ). Table S2 in S1 File provides  
 208 a detailed description of the variables and parameters in the patch model and code.  
 209 Parameter estimates utilized in this study are appropriate for pre-control savannah  
 210 settings based on previous studies (most of which were conducted in Cameroon) [40, 46].  
 211 The ranges of parameter estimates considered in the sensitivity analysis are provided in  
 212 Table S2 in S1 File and were determined by the parameter estimates relevant for savannah  
 213 settings available in published literature. Table S3 in S1 File provides the PDEs for a model  
 214 with any number of patches  $\geq 2$ .

## 215 Modeling of human and vector movement

216 Fig. 2 illustrates how human and vector movement are modeled. To model movement of  
 217 humans between the patches in both directions (referred to in patch model literature as  
 218 ‘commuting’), we define  $\alpha_{ij}$  as the fraction of time residents of patch  $i$  in  
 219 age group  $a$  spend visiting the connected patch  $j$  included in the model. The fraction of the  
 220 population resident in patch  $i$  of age group  $a$  that travel is given by  $\alpha_{ij}$  and the proportion  
 221 of time residents of patch  $i$  that travel spend in patch  $j$  is given by  $\alpha_{ij}$ . For the 2-patch

222 model presented here,  $d_{ij} = 1$  as there is only one patch for residents to visit. We  
 223 hypothesize that mobility for work is the dominant reason for travel between the patches,  
 224 and thus we make the simplifying assumption that only human hosts aged between 20 and  
 225 50 years travel, representing 35% of the total population. Therefore, the fraction of time  
 226 human hosts resident in patch  $i$  aged 20 to 50 years spend visiting patch  $j$  is given by  $f_{ij}$ .  
 227 The model defines vector movement between patches as migration, which means once the  
 228 vectors leave their 'resident' patch they do not return. Therefore, we define the parameter  
 229  $v_{ij}$  as the migration rate per year of blackflies from patch  $i$  to patch  $j$ . Furthermore, we  
 230 assume that the ratio of the size of the vector population to human population ( $m_i$ ) in patch  
 231  $i$  is constant. The parameter  $m_i$  depends on the ABR and the biting rate per fly on humans  
 232 ( $\beta$ ) (see Table S1 in S1 File), and therefore will differ between patches with different ABR.



233  
 234 **Figure 2. Schematic diagram of a 2-patch intensity model.**  $W_i$  is the mean number of adult worms per  
 235 human host in patch  $i$ ,  $M_i$  is the mean number of microfilariae per mg of skin within the human host in patch  
 236  $i$ , and  $L_i$  is the mean number of infective larvae per blackfly in patch  $i$ . Red arrows represent mortality.

### 237 Endemicity of the patches included in the model

238 Areas where *O. volvulus* is transmitted are, in most cases, categorized as hypo-, meso-, and  
 239 hyperendemic based upon the approximate prevalence of infection within the human  
 240 population prior to implementation of control programs. The prevalence ranges defining  
 241 these categories differ slightly between references, driven by (for example) increasing  
 242 knowledge of correlates of morbidity or the method used to estimate infection prevalence  
 243 (e.g. prevalence of individuals with microscopically detected mf in skin snips, prevalence of  
 244 individuals with subcutaneous onchocercal nodules) [24, 30, 32, 72, 73].

245 While the endemicity of areas is usually quantitated via measures of the prevalence of  
 246 infection in the human population before implementation of interventions, from a

247 biological and modeling perspective, endemicity is determined by the vector prevalence,  
248 which is usually quantified by the ABR. From this perspective, an area defined as  
249 hyperendemic retains that categorization even if MDA<sub>i</sub> decreases the skin mf prevalence in  
250 a hyperendemic area to <35%, unless vector control (or natural changes) bring about a  
251 reduction in ABR. In this context, patch 1 is parameterized to be representative of a  
252 hypoendemic area with an ABR of 1000, while patch 2 is parameterized to be  
253 representative of a hyperendemic area with an ABR of 4000.

## 254 Scenarios modeled

255 We used the patch model developed to simulate the effect of human movement between  
256 two different areas characterized as follows:

257 Patch 1 (hypoendemic area). In the absence of past or present control measures,  
258 transmission is stable and results in 28% of the human population over all ages infected.  
259 The initial conditions for patch 1 were determined by first simulating an isolated patch 1  
260 (i.e., no movement between patch 1 and 2) to equilibrium.

261 Patch 2 (hyperendemic area). We assumed that patch 2 had undergone many years of  
262 MDA<sub>i</sub> which was discontinued when the epidemiology-based provisional threshold  
263 (pOTTIS) had been reached.

264 The provisional thresholds were defined by APOC in its “Conceptual and Operational  
265 Framework of Onchocerciasis Elimination with Ivermectin Treatment,” which also specifies  
266 the plan to review and refine thresholds as more evidence becomes available [74]. The  
267 framework was developed in response to the request from APOC’s governing board, the  
268 Joint Action Forum, ‘to determine when and where ivermectin treatment can be safely  
269 stopped and to provide guidance to countries on preparing to stop ivermectin treatment  
270 where feasible’ [13, 31]. In the Conceptual Framework, prevalence estimates are based on  
271 the percentage of individuals with skin mf levels detectable via microscopic evaluation.  
272 Informed by the experience with stopping interventions in West Africa (vector control in  
273 the countries of the OCP and data for the savanna vector species *S. damnosum s.s.* and *S.*  
274 *sirbanum* [75] and MDA<sub>i</sub> in a study in Senegal and Mali [6, 8]), pOTTIS includes an  
275 entomological parameter (vector infectivity <0.5 infective flies/1000 flies) and an  
276 epidemiological parameters (mf prevalence < 5% in all surveyed villages and < 1% in 90%  
277 of those villages 11-12 months after the last MDA<sub>i</sub> round) [13, 31]. The age range over  
278 which the epidemiological parameter is to be applied, the number of skin snips to be taken  
279 and duration of skin snip incubation to determine mf prevalence (which impact the  
280 sensitivity, [76-78]) are not specified. The surveys conducted in APOC countries after  
281 development of the Conceptual Framework to assess progress towards elimination  
282 included only children >5 years of age, 2 snips and 24 hours of incubation in saline [9]. In  
283 the absence of established transmission breakpoints (infection prevalence or intensity  
284 below which transmission is unsustainable and the parasite population will die out [39, 71,  
285 79-81], previous modeling studies parameterized the two-level epidemiological pOTTIS as  
286 the weighted mean resulting in <1.4% modelled mf prevalence across *all ages* considered  
287 as pOTTIS having been achieved [12, 39, 40, 82]. The epidemiological, rather than the  
288 entomological pOTTIS is used since it is reached later and is thus the more conservative  
289 threshold [40].



290 Thus, to model each scenario, patch 2 was initialized with a skin mf prevalence in the  
291 human population (across *all ages*) of < 1.4%. As described in Basañéz et al., the pOTTIS  
292 does not represent a transmission breakpoint and, in the EPIONCHO framework utilized  
293 here, mf prevalence will rebound from the pOTTIS under conditions of high ABR such as  
294 found in hyperendemic areas [40]. Thus, what we explore here is the extent to which  
295 coupling between two patches (connecting them through human travel between the  
296 patches) *accelerates* the modeled rebound in mf prevalence in hyperendemic areas.

297 We modeled a number of scenarios that differed in the extent of coupling between the two  
298 patches, i.e., the extent of human movement from patch 1 to patch 2 or vice versa.

### 299 **Model output reported**

300 Consistent with previous work [39, 40], we report the modeled mf prevalence in the human  
301 population of those aged  $\geq 5$  years (subsequently referred to as ‘mf prevalence’). In  
302 addition, we report the Annual Transmission Potential (ATP). The ATP is the ‘estimated  
303 number of infective *O. volvulus* larvae received by a man exposed for eleven hours a day  
304 throughout the year at a particular site’ [83]. The ATP is the arithmetic sum of the Monthly  
305 Transmission Potential (MTP) determined for each month of the year. The MTP is the  
306 product of the monthly biting rate (MBR, total number of blackflies collected in a month  
307 divided by the number of days of capture in this month multiplied by 30) and the total  
308 number of infective *O. volvulus* larvae (L3) identified in the heads of dissected flies divided  
309 by the total number of flies dissected in that month [59]. Dissection of flies and microscopic  
310 identification of L3 in their heads can be replaced by examination of flies (or bodies and  
311 heads of dissected flies) pooled by sampling site and date of collection for the *O. volvulus*  
312 specific O-150 DNA sequence using polymerase chain reaction (O-150 PCR pool-  
313 screening, [51, 84, 85]. For calculation of ATP in EPIONCHO see Table S2 in S1 File.

### 314 **Sensitivity Analysis**

315 To assess the sensitivity of the modeled long-term mf prevalence in each patch to  
316 variations of input parameters, we utilized the Partial Rank Correlation Coefficient (PRCC)  
317 method as outlined in Marino et al. [86]. Selected parameters were varied according to the  
318 distributions provided in Table S2 in S1 File, which were informed by published literature  
319 (Table S2 in S1 File). We performed Latin hypercube sampling (LHS) for 1,000 samples of  
320 each parameter, then used the LHS outputs to derive PRCCs. The results of PRCC methods  
321 provide a measure of the strength of the relationship between the input parameters and  
322 the selected output. In addition, PRCC provides information on how influential each  
323 parameter is on the output when compared to other parameters, where a PRCC close to 1  
324 or -1 indicates the corresponding parameters are influential.

### 325 **Results**

326 To explore the effects of movement of human hosts between patches with different  
327 endemicities and MDAi control histories on mf prevalence and the ATP, we present the  
328 outcome of simulations with human movement originating in only one of the areas at a  
329 time (Fig 3).

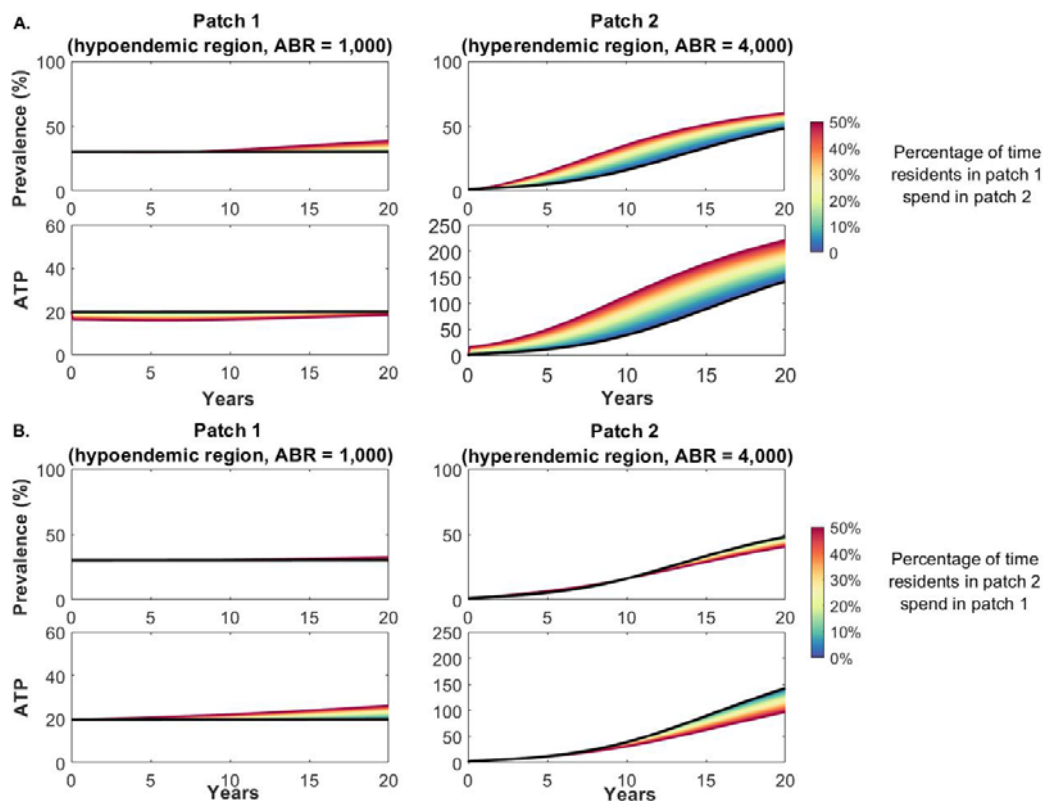
## 330 **Effect of human movement on mf prevalence and ATP in two connected areas**

### 331 **Effect on mf prevalence and ATP when individuals from the hypoendemic patch 1 visit the** 332 **post-MDAi hyperendemic patch 2**

333 Recrudescence in the post-MDAi hyperendemic area (patch 2) is accelerated by visiting  
334 residents of the untreated hypoendemic area (patch 1) travelling to the formerly  
335 hyperendemic area (patch 2) (Fig 3A). The infected 20- to 50-year-old visitors from patch 1  
336 (initially ~24.8% of these visitors) serve as a source of mf for vectors in patch 2, and these  
337 vectors in turn infect patch 2 residents. As infection prevalence among the residents of  
338 patch 2 increases, they (as well as their visitors from patch 1) serve as additional sources of  
339 mf for the vectors in patch 2, resulting in acceleration of the increase in mf prevalence and  
340 the ATP in patch 2. Moreover, as the ATP in patch 2 increases, mf prevalence in patch 1 also  
341 increases, because new infections acquired by patch 1 residents during their visits to patch  
342 2 who then return to their “home” in patch 1 become more frequent. The initial decline in  
343 the ATP in the hypoendemic patch 1 arises from the system being in equilibrium at the  
344 start of the simulation. When human movement from patch 1 into patch 2 is introduced, the  
345 initial infected patch 1 residents who visit patch 2 are unavailable to patch 1 vectors for the  
346 duration of their visit and thus the ATP and prevalence in patch 1 decline transiently.  
347 Subsequently, as both mf prevalence and the ATP in patch 2 rise, patch 1 residents become  
348 infected while they are in patch 2, resulting in increasing mf prevalence among patch 1  
349 residents, and thus increasing ATP in patch 1 (Fig 3A). Note that the pOTTIS does not  
350 necessarily represent the breakpoint below which transmission spontaneously decays to  
351 zero [40]. Thus, under the conditions being modeled in patch 2 (hyperendemic with high  
352 ABR and no vector control), the modelled prevalence will always rebound in patch 2 when  
353 MDAi is stopped. The important point illustrated in Fig 3 is that coupling of hyperendemic  
354 patch 2 with a hypoendemic patch 1 significantly *accelerates* this rebound over the 5 – 10  
355 years following MDAi cessation in patch 2.

### 356 **Effect on mf prevalence and ATP when individuals from the post-MDAi hyperendemic patch 2** 357 **visit the hypoendemic patch 1**

358 When residents of the post-MDAi hyperendemic area (patch 2) visit the hypoendemic area  
359 (patch 1), the impact on mf prevalence among the residents of the hypoendemic area is  
360 more gradual and the magnitude of the change in mf prevalence is smaller when compared  
361 to the impact of human movement from patch 1 to patch 2 (Fig 3B). Mf from patch 2  
362 residents (mf prevalence ~1.1% in those aged 20-50 who travel to patch 1) act as an  
363 additional source of infection for the vectors in patch 1, which is evident in the slowly  
364 increasing ATP. However, mf prevalence only sees modest increases as the residents of  
365 patch 2 only spend part of their time in patch 1 and the patch 1 ABR is low. The more time  
366 residents of the post-MDAi hyperendemic area spend in the hypoendemic area (and thus  
367 are ‘available’ as source of infection of vectors in the hypoendemic area, but not in the post-  
368 MDAi hyperendemic area during that time), the earlier and faster the increase in the mf  
369 prevalence and ATP in patch 1 and the slower the increase in patch 2 (Fig 3B).



370

371 **Figure 3. Change in microfilariae prevalence among population (aged  $\geq 5$ ) and annual transmission**  
 372 **potential (ATP) in patch 1 and patch 2 due to human hosts aged 20 to 50 years (35% of the**  
 373 **population) travelling between the patches for the first 20 years after MDAl was discontinued in patch**  
 374 **2. Note the difference in scale for the ATP of patch 1 and patch 2. A. Effect of individuals living in the**  
 375 **hypoendemic area (patch 1) spending a percentage of their time in the post-MDAi hyperendemic area (patch**  
 376 **2). In this scenario the fraction of time residents in patch 1 spend visiting patch 2 ( $f_{12}$ ) is varied while**  
 377 **assuming that residents of patch 2 do not travel to patch 1 ( $f_{21} = 0$ ). B. Effect of individuals living in patch 2**  
 378 **spending a percentage of their time in the hypoendemic area (patch 1). In this scenario the parameter  $f_{21}$**   
 379 **is varied while assuming that residents of patch 1 do not travel to patch 2 ( $f_{12} = 0$ ). Solid black lines indicate**  
 380 **prevalence and ATP if the two patches are not coupled; i.e., when residents of one area do not spend time in**  
 381 **the other. See Fig S1 in S1 File for results over the time scale required to reach equilibrium mf prevalence.**

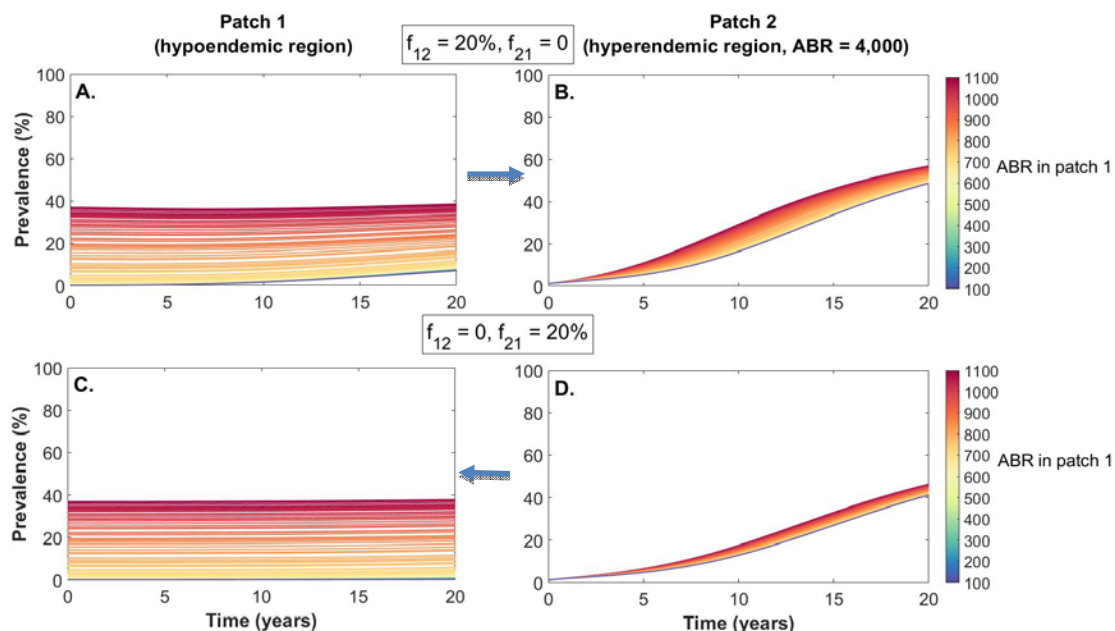
### 382 **Effects of the ABR in areas connected by human movement on mf prevalence**

383 To consider the influence of the patch-specific ABR on mf prevalence over time, we selected  
 384 values for movement parameters and varied the ABR in each patch.

#### 385 **Effect of variation of ABR in the hypoendemic area on mf prevalence**

386 Fig 4 demonstrates the impact of different ABRs in the hypoendemic area (patch 1). The  
 387 range of values for  $ABR_1$  were chosen to be representative of hypoendemic areas (Table S2  
 388 in S1\_File). With an ABR of less than approximately 750, an isolated patch would not be  
 389 able to sustain transmission (Fig 4A,C). Not surprisingly, the higher the ABR in patch 1 is,  
 390 the faster resurgence in patch 2 occurs (Fig 4B,D). As already demonstrated in Fig 3, the  
 391 rate of resurgence is affected by the direction of movement, with a faster rate of resurgence  
 392 when residents of patch 1 spend time in patch 2 compared to movement in the opposite  
 393 direction. Furthermore, the ABR in patch 1 has a higher impact on the rate of resurgence in

394 patch 2 when patch 1 residents travel to patch 2 than vice versa (Fig 4B,D). Importantly, by  
 395 connecting a hypoendemic area with an ABR below the threshold biting rate (TBR)  
 396 required to sustain transmission in isolated hypoendemic areas ( $\sim 750$ , see below) to a  
 397 post-MDAi hyperendemic area, we observe that transmission can be sustained in patch 1  
 398 (Fig 4A,C). The lowest patch 1 TBR and time to sustainable transmission is affected by the  
 399 direction of human movement: movement from the hypoendemic area into the  
 400 hyperendemic area results in achieving sustained transmission in patch 1 with a lower  
 401 patch 1 TBR than movement in the other direction (Fig 4A,C; Fig S2 in S1 File).

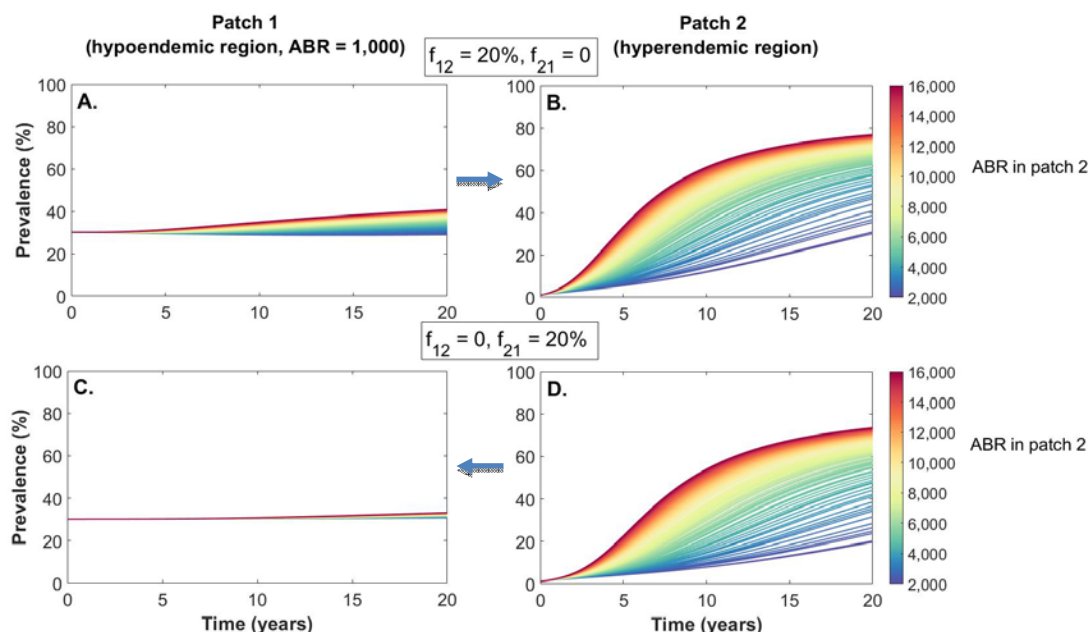


402  
 403 **Figure 4. Impact of variation in the Annual Biting Rate (ABR) of blackfly vectors in a hypoendemic**  
 404 **area (patch 1) on microfilariae prevalence (in ages 5 and above) when connected through human**  
 405 **movement to a hyperendemic area (patch 2) for the first 20 years after MDAi was discontinued in**  
 406 **patch 2.** Patch 1 is initialized by running the model assuming patch 1 is isolated (i.e. not connected to patch 2  
 407 through human movement) to equilibrium for each  $ABR_1$  value; Patch 2 is initialized with  $<1.4\%$  mf  
 408 prevalence across all ages. See Fig S2 in S1 File for results over the time scale required to reach equilibrium  
 409 prevalence.

410 **Effect of variation of ABR in the hyperendemic area on mf prevalence**

411 Fig 5 demonstrates the impact of different ABRs in the post-MDAi hyperendemic area  
 412 (patch 2). The range of values for  $ABR_2$  were chosen to be representative of a  
 413 hyperendemic area (Table S2 in S1\_File) which correspond to mf prevalences between  
 414 61% and 82% in the population aged 5 years and above for an isolated patch without  
 415 interventions. Not surprisingly, the higher the ABR in patch 2 is, the faster resurgence in  
 416 patch 2 occurs. The rate of resurgence is only marginally affected by the direction of  
 417 movement (Fig 4B,D). In contrast, the degree to which mf prevalence in the hypoendemic  
 418 area (patch 1) increases depends on the direction of movement, with movement from patch  
 419 1 to patch 2 having a larger impact on the mf prevalence in the hypoendemic area (patch 1)  
 420 than movement from patch 2 to patch 1 (Fig 4A,C).

421



422  
 423 **Figure 5. Impact variation in the ABR in a hyperendemic area (patch 2) which discontinued MDAi has**  
 424 **on mf prevalence (in ages 5 and above) when connected through human movement to a hypoendemic**  
 425 **area (patch 1) during the 20 years post-MDAi.** Patch 1 is initialized by running the model assuming patch 1  
 426 is not connected to patch 2 to equilibrium (with  $ABR_1=1,000$ ); Patch 2 is initialized with  $<1.4\%$  mf  
 427 prevalence across all ages. See Fig S3 in S1 File for results over the time scale required to reaching  
 428 equilibrium in mf prevalence.

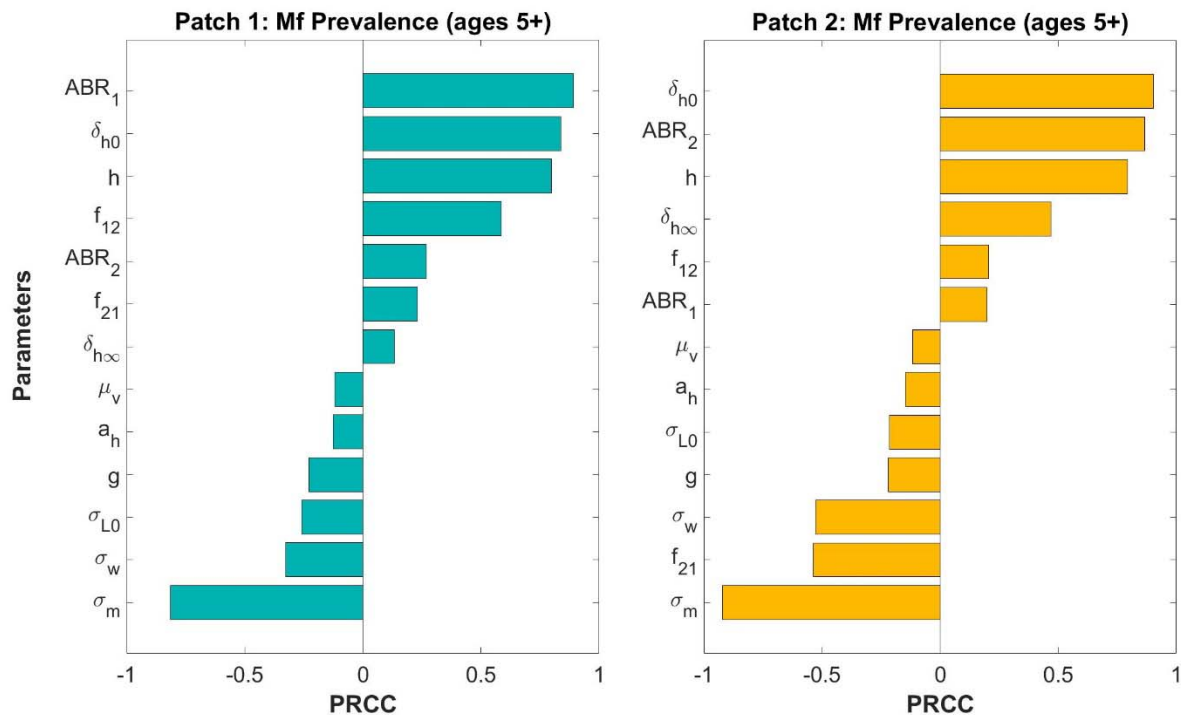
## 429 Effect of human movement on local transmission in a hypoendemic area

430 For the set of parameters provided in Table S2 in A1\_File, parasite transmission cannot be  
 431 sustained in an isolated patch with an ABR of less than  $\approx 750$ . In the presence of human  
 432 movement between a hypoendemic patch and a hyperendemic patch, local transmission in  
 433 the hypoendemic patch is possible at lower ABRs (Fig S5 in S1\_File).

## 434 Sensitivity of modeled long-term mf prevalence to variation in factors impacting 435 mf prevalence

436 The ranking of the most influential parameters impacting long-term mf prevalence  
 437 emerging from the Partial Rank Correlation Coefficient (PRCC) method differed between  
 438 the hypo- and hyperendemic areas (Fig 6). The top three parameters that have a strong  
 439 positive association with prevalence in both patches were the patch-specific ABR, the  
 440 proportion of L3 larvae developing to adult worms within the human host when  $ATP \rightarrow 0$   
 441 ( $\delta_{H_0}$ ), and the proportion of blood meals vectors take on humans relative to other  
 442 mammals (the human blood index,  $h$ ) (see Table S2 in S1\_File for further details). Not  
 443 surprisingly, the mortality rate of microfilariae within the human host ( $\sigma_M$ ) had the  
 444 strongest negative association with long-term mf prevalence in both areas, indicating a  
 445 decrease in mf prevalence with increase in mf mortality rate. The parameter quantifying  
 446 movement from patch 1 to patch 2 ( $f_{12}$ ) has a moderate positive association with mf

447 prevalence in patch 1 (Fig 3A), whereas movement from patch 2 to patch 1 ( $f_{21}$ ) has a  
 448 moderate negative association with mf prevalence in patch 2 (Fig 3B).



449  
 450 **Figure 6. Tornado plots for partial rank correlation coefficient (PRCC) results from 1,000 samples**  
 451 **using Latin hypercube sampling (LHS) illustrating drivers of long-term mf prevalence of population**  
 452 **aged 5+ in each patch.** Only statistically significant parameters are shown (evaluated at  $\alpha = 0.01$ ). PRCC  
 453 values close to 1 or -1 indicate most influential parameters. Because the parameters are ranked by the  
 454 strength of the association, the order of parameters is different for each patch. For explanation of parameters,  
 455 see Table S2 in S1 File.

456  
 457 One factor impacting TBR is the human blood index, the proportion of blood meals the  
 458 vector takes on humans (see Table S2 in S1 File). Thus, we conducted a one-way sensitivity  
 459 analysis to determine the impact of the human blood index on the relationship between  
 460 long-term mf prevalence and ABR in an isolated population. Through a simulation study,  
 461 the TBR for a single isolated patch with input parameters as defined in Table S2 in S1\_File  
 462 is estimated to be approximately 750. However, if the human blood index is increased from  
 463 0.3 (as estimated in Cameroon [87]) to 0.67 (as estimated in Burkina Faso and Côte d'Ivoire  
 464 [88]), the TBR decreases significantly (Fig S6 in S1\_File). The human blood index is likely to  
 465 vary in different onchocerciasis-endemic settings, because it is dependent both on the  
 466 vector species present and their anthropophily and anthropophagy and on the availability  
 467 and density of domesticated and wild species including chicken, goats, or cattle [87, 89-93].

## 468 Discussion

469 We have adapted the EPIONCHO framework described by Filipe et al. [46] to produce a  
470 patch model for evaluating the effect of human and vector movement between any number  
471 of areas (patches) that differ with respect to key factors important for onchocerciasis  
472 elimination efforts, including ABR, MDAi history, and mf prevalence. We have  
473 demonstrated the type of information this patch model can provide by modeling a simple  
474 scenario: the impact of unidirectional travel of people between two areas with different  
475 endemicity and MDAi history on changes in mf prevalence and ATP in each of these areas.

476 The results illustrate that the risk of recrudescence in a hyperendemic area post-MDAi  
477 (patch 2) is increased, and recrudescence accelerated, when there is human movement  
478 between that area and a hypoendemic area without ongoing interventions (patch 1) (Fig 3,  
479 Fig S1 in S1\_File). We have also shown that movement of humans between a hyperendemic  
480 area (patch 2) and a hypoendemic area (patch 1) can enable sustained transmission in the  
481 hypoendemic area at ABRs which would not support local transmission in an isolated area  
482 (Fig 4, Fig S2 in S1\_File, Fig S5 in S1\_File). This finding is consistent with the conclusions of  
483 a recent modeling study utilizing the stochastic, individual-based framework ONCHOSIM to  
484 examine *O. volvulus* transmission between connected villages [56]. The results presented  
485 here further indicate that the direction and extent of human movement between areas  
486 cause variation in the strength and direction (positive or negative association) of the effect  
487 key parameters (in particular, the ABR) have on the long-term mf prevalence in areas with  
488 different endemicity and initial mf prevalence.

489 It is important to note the time frame over which changes in mf prevalence and ATP are  
490 predicted to occur. In the hyperendemic area, they remain low until nearly 10 years post-  
491 MDAi (Fig 3B,D) and will be challenging to detect with available methods during the (on  
492 average) 3-5 years of post-MDAi surveillance currently recommended for confirming  
493 interruption of parasite transmission [51]. In our model, the rate of increase in mf  
494 prevalence and ATP is determined by the degree and direction of movement from and to  
495 the hypoendemic patch (coupling) as well as by the ABRs in both patches. Greater coupling  
496 and higher ABRs result in faster resurgence of mf prevalence and ATP. These dependencies  
497 imply that the duration of post-MDAi surveillance to confirmation of interruption of  
498 parasite transmission need to be chosen in view of the distribution of ABRs across the  
499 whole transmission zone, i.e. the whole area over which parasites are transmitted through  
500 human (and vector) movement. Under a scenario where MDAi brings the prevalence to  
501 zero in the hyperendemic region, or where there is stochastic loss of infection, then this  
502 predicted return to prevalence would presumably take longer. The scenarios explored here  
503 assumed that the starting mf prevalence in the post-MDAi hyperendemic patch 2 was  
504 below the epidemiological pOTTIS (adapted for modelling to <1.4% mf prevalence across  
505 all ages). As outlined above, pOTTIS is defined as “provisional” [31], and neither the mf  
506 prevalence-based nor the vector infectivity-based pOTTIS in the WHO 2016 guidelines  
507 represent parasite transmission breakpoints, which have been described as ‘hypothetical  
508 and [of] elusive nature’ [40]. Our patch model predicts that an isolated patch that has an  
509 ABR high enough to sustain transmission will experience resurgence to pre-intervention

510 levels of infection after cessation of MDAi (see black line for patch 2 presented in Fig 3 and  
511 Fig S1 in S1 File, and as previously described [40]).

512 Due to the deterministic nature of the model, there is no potential for stochastic fade-out of  
513 infection in a patch even at very low prevalence. Accordingly, should prevalence in a  
514 hyperendemic area approach zero, our patch model might predict an earlier resurgence  
515 than may be observed in a real-world scenario. However, the choice to use a deterministic  
516 model does not impact the model's findings on the key drivers of the rate of recrudescence  
517 when coupling between areas is incorporated.

518 We confirmed that the relationship between ABR and modeled long-term mf prevalence  
519 and ATP in an area depends on the input parameters, which in turn depend on the context  
520 being modeled (S1 Appendix Fig S5). We found that the ABR, the proportion of L3 larvae  
521 developing to adult worms within the human host when  $ATP \rightarrow 0$  ( $\delta_{H_0}$ ) and the human  
522 blood index ( $h$ ) are key drivers (most influential parameters) of the modeled long-term mf  
523 prevalence in both the hypoendemic and hyperendemic area (Fig 6, S1 Appendix Table S1).  
524 While these are not novel findings, it is important to recall that parameterizing a model for  
525 different contexts will lead to different outputs including the TBR, estimates of time to  
526 reach specified thresholds with specified interventions [39, 71] or, in our case, time course  
527 of changes in mf prevalence and ATP in the absence of interventions (Fig. 4, Fig. 5)). Our  
528 results suggest that the extent of parasite transmission between areas within a  
529 transmission zone differing in key input parameter characteristics through human (and by  
530 extension vector) movement should also be included in the models. The challenge, then, is  
531 to collect the data that are required to estimate these input parameters in a range of  
532 epidemiological and ecological settings or, ideally, specific geographic areas of interest.  
533 Michael and colleagues [49] proposed a local, data-driven approach to model  
534 parameterization using available baseline pre-intervention and follow-up mf prevalence  
535 data, area-wide pre-intervention ABR, and information on interventions from the  
536 hyperendemic areas Itwara and Kashoya Kitomi and the mesoendemic Bwindi area in  
537 Western Uganda.

538 To better parameterize the coupling strength in this model, we require good estimates of  
539 human population mobility, which can be derived by making use of more sophisticated  
540 population mobility models (such as the gravity or radiation models or a combination of  
541 these [94]). Furthermore, getting a better understanding of the impact that frequency and  
542 duration of human mobility between areas has on the probability of parasite transmission  
543 between areas is a critical next step. A high number of trips between areas with short  
544 duration may not have the same contribution to transmission dynamics in the destination  
545 area as a low number of trips with long duration and the impact of travel is likely to depend  
546 on the timing relative to transmission season. This requires adapting the current model to  
547 allow for a dynamic human population or adaptation of an individual-based model  
548 (EPIONCHO-IBM [47] or ONCHOSIM [56]) to take such characteristics into account.

549 While vector control is not a parameter specified in the model, the effect of vector control  
550 (e.g., via larviciding [95, 96] or community-directed slash-and-clear [97-99]) is to reduce  
551 ABR. The ABR determines the likelihood that, should MDAi be stopped, a population of  
552 parasites that had reached the epidemiology-based or entomology-based pOTTIS would



553 subsequently rebound, such that recrudescence will not occur when ABR is sufficiently low  
554 [40]. We compared the effect of varying patch-specific ABR on transmission in both patches  
555 (Fig 5). Our results suggest that vector control that reduces ABR in the hyperendemic patch  
556 2 could significantly slow the rate of recrudescence due to travel from an untreated  
557 hypoendemic patch 1 into the post-MDAi patch 2. Reducing ABR in the post-MDAi patch 2  
558 may also reduce mf prevalence in the hypoendemic patch 1, and would have a larger  
559 impact than vector control in patch 1 alone (Fig. 4). Thus, we are working towards  
560 incorporating data-based estimates of vector migration and on incorporating temporal  
561 variation in vector abundance due to interventions.

562 We have focused here on how spatial heterogeneity of pre-control prevalence might impact  
563 post-MDAi prevalence and recrudescence, and find that recrudescence can be driven by  
564 movement from untreated hypoendemic regions. Temporal heterogeneity in the frequency  
565 and duration of MDAi is also likely to impact post-MDAi prevalence in connected areas and  
566 by extension the risk of recrudescence. Temporal heterogeneity in MDAi has been explored  
567 in an individual-based, stochastic framework [56]. Incorporating temporal heterogeneity  
568 into the spatial, deterministic, population-based model described here to explore whether  
569 the predicted outcomes for spatial and temporal heterogeneity are similar would  
570 strengthen the evidence for making decisions about MDAi timetables (see [40]).

## 571 **Conclusions**

572 Our study highlights the need to consider imported infection through mobility of human or  
573 vector hosts between connected regions when the goal is elimination of transmission in the  
574 vast, contiguous, and heterogeneous areas of sub-Saharan Africa. When determining the  
575 geographic scale at which stop-MDAi decisions should be made, treating any given location  
576 as though it were isolated from the surrounding region is unrealistic and may jeopardize  
577 elimination efforts [100].

578 We chose the scenarios modeled in view of two questions that need to be answered to  
579 achieve sustained and cost-effective elimination of *O. volvulus* transmission: 1) what are the  
580 characteristics of hypoendemic areas not previously included in MDAi where interventions  
581 need to be implemented, and 2) what are the geographic areas that belong to a  
582 transmission zone and that need to be included in evaluations for decisions on stopping  
583 MDAi and conducting post-treatment and post-elimination surveillance [51]. Our results,  
584 along with decades of epidemiological and entomological data from programs that have  
585 demonstrated transmission of onchocerciasis among communities, suggest that the  
586 answers to both questions need to consider not only the ABRs but also the transport of  
587 parasites via human movement. The key missing parameter is an evidence-based  
588 understanding of the scale over which transmission connectivity extends, and a method by  
589 which that transmission connectivity can be measured [3]. This emphasizes not only the  
590 importance of decisions on which hypoendemic areas to include in MDAi (with or without  
591 complementary control measures or alternative treatment strategies), but also implies that  
592 the boundaries of transmission zones are unlikely to correspond to the administrative  
593 boundaries within which responsibility for interventions may be with different health  
594 system units (i.e., “implementation units” such as “APOC project areas”) both within and

595 across countries. This needs to be considered when planning (a) the geographic areas and  
596 the density of sampling for evaluations for decisions on when and where to stop MDAi, (b)  
597 where, how frequently and for how long to conduct post-MDAi surveillance for verification  
598 of elimination of transmission and (c) where and how frequently to conduct post-  
599 elimination surveillance. Until suitable methods for delineation of transmission zones are  
600 available [3, 101], a pragmatic approach is to assume parasite transmission is very likely  
601 between endemic areas within locally typical day-to-day travelling distances (and within  
602 vector flight distance).

603 Consideration of cost-effectiveness includes (a) past investments into onchocerciasis  
604 control and elimination, (b) investments still needed to achieve sustainable elimination,  
605 and (c) other public health objectives 'competing' for the same funds. The timeframe of the  
606 modelled increase in mf prevalence and ATP in the post MDAi area deserves consideration  
607 in decisions on the risk of and timeframe of resurgence acceptable to stakeholders. Given  
608 the cost implications (including opportunity cost) of stopping interventions too early or  
609 later than needed, we encourage the development and application of models, such as the  
610 one presented here, that explicitly consider human and vector movement in a  
611 heterogeneous landscape (see also [56]) and that can be applied to explore the appropriate  
612 geographic scale for decision making about the location and duration of MDAi. Such  
613 models, ideally parameterized for specific geographic areas, can provide national program  
614 managers with a better estimate of the risk of and time course of recrudescence when  
615 interventions are stopped too early, or in only parts of a transmission zone when there is  
616 ongoing transmission elsewhere, and serve as input into relevant economic analysis.

## 617 **Acknowledgments**

618 The authors wish to acknowledge Wilma Stolk, Luc Coffeng, Rebecca Chisholm, Shlomo  
619 Riesenber Xu, and Hima Shrestha for helpful discussions.

620 The authors alone are responsible for the views expressed which do not necessarily  
621 represent the views, decisions, or policies of the institutions with which the authors are  
622 affiliated.

## 623 **Financial disclosure**

624 This work was supported by funding from UNICEF/UNDP/World Bank/World Health  
625 Organization Special Programme for Research and Training in Tropical Diseases (TDR;  
626 <https://tdr.who.int/>) to WNG (B80149, B80153, and B80296), and from an NHMRC  
627 (PRISM Centre of Research Excellence, GNT 1078068) ([prism.edu.au](https://prism.edu.au)) grant to KM and  
628 SMH. JMcV is supported by an NHMRC Principal Research Fellowship (GNT1117140). The  
629 funders had no role in study design, data collection and analysis. TDR, via co-author ACK,  
630 had a role in the preparation of the manuscript and the decision to publish.

## 631 **Competing interests**

632 I have read the journal's policy and the authors of this manuscript have the following  
633 competing interests: ACK is staff of TDR which provided funding for this work.

## 634 **Copyright**

635 2022 World Health Organization. This is an open access article distributed under the  
636 Creative Commons Attribution IGO License, which permits unrestricted use, distribution,  
637 and reproduction in any medium, provided the original work is properly cited.  
638 <https://creativecommons.org/licenses/by/3.0/igo/>. In any use of this article, there should  
639 be no suggestion that WHO endorses any specific organization, products or services. The  
640 use of the WHO logo is not permitted. This notice should be preserved along with the  
641 article's original URL.

## 642 **References**

- 643
- 644 1. Remme JHF, Boatman B, Boussinesq M. Helminthic diseases: Onchocerciasis and  
645 loiasis. In: Quah SR, Cockerham W, editors. International Encyclopedia of Public Health.  
646 Second ed: Elsevier Inc.; 2017. p. 576-87.
  - 647 2. World Health Organization. Elimination of human onchocerciasis: progress report,  
648 2018-2019. Weekly Epidemiological Record. 2019;94:513-24.
  - 649 3. Hedtke SM, Kuesel AC, Crawford KE, Graves PM, Boussinesq M, Lau CL, et al.  
650 Genomic epidemiology in filarial nematodes: transforming the basis for elimination  
651 program decisions. Front Genet. 2020;10:1282. Epub 2020/01/31. doi:  
652 10.3389/fgene.2019.01282. PubMed PMID: 31998356; PubMed Central PMCID:  
653 PMC6964045.
  - 654 4. World Health Organization. Elimination of human onchocerciasis: progress report,  
655 2020. Weekly Epidemiological Record. 2021;46(96):557-67.
  - 656 5. Dadzie Y, Neira M, Hopkins D. Final report of the conference on the eradicability of  
657 onchocerciasis. Filaria J. 2003;2:2.
  - 658 6. Diawara L, Traore MO, Badji A, Bissan Y, Doumbia K, Goita SF, et al. Feasibility of  
659 onchocerciasis elimination with ivermectin treatment in endemic foci in Africa: first  
660 evidence from studies in Mali and Senegal. PLoS Negl Trop Dis. 2009;3(7):e497. doi:  
661 10.1371/journal.pntd.0000497. PubMed PMID: 19621091; PubMed Central PMCID:  
662 PMC2710500.
  - 663 7. Tekle AH, Elhassan E, Isiyaku S, Amazigo UV, Bush S, Noma M, et al. Impact of long-  
664 term treatment of onchocerciasis with ivermectin in Kaduna State, Nigeria: first evidence of  
665 the potential for elimination in the operational area of the African Programme for  
666 Onchocerciasis Control. Parasit Vectors. 2012;5:28. doi: 10.1186/1756-3305-5-28. PubMed  
667 PMID: 22313631; PubMed Central PMCID: PMC3296569.
  - 668 8. Traore MO, Sarr MD, Badji A, Bissan Y, Diawara L, Doumbia K, et al. Proof-of-  
669 principle of onchocerciasis elimination with ivermectin treatment in endemic foci in Africa:  
670 final results of a study in Mali and Senegal. PLoS Negl Trop Dis. 2012;6(9):e1825. doi:

- 671 10.1371/journal.pntd.0001825. PubMed PMID: 23029586; PubMed Central PMCID:  
672 PMCPMC3441490.
- 673 9. Tekle AH, Zoure HG, Noma M, Boussinesq M, Coffeng LE, Stolk WA, et al. Progress  
674 towards onchocerciasis elimination in the participating countries of the African  
675 Programme for Onchocerciasis Control: epidemiological evaluation results. *Infect Dis*  
676 *Poverty*. 2016;5(1):66. doi: 10.1186/s40249-016-0160-7. PubMed PMID: 27349645;  
677 PubMed Central PMCID: PMCPMC4924267.
- 678 10. World Health Organization, African Programme for Onchocerciasis Control.  
679 Eighteenth session of the Joint Action Forum, Bujumbura, Burundi, 11-13 Dec 2021: final  
680 communiqué. Geneva: 2012 Contract No.: JAF18.
- 681 11. World Health Organization. Ending the neglect to attain the sustainable  
682 development goals: a road map for neglected tropical diseases 2021–2030. Geneva: 2020  
683 2020. Report No.: Contract No.: WHO/UCN/NTD/2020.01.
- 684 12. Turner HC, Walker M, Attah SK, Opoku NO, Awadzi K, Kuesel AC, et al. The potential  
685 impact of moxidectin on onchocerciasis elimination in Africa: an economic evaluation  
686 based on the Phase II clinical trial data. *Parasit Vectors*. 2015;8:167. doi: 10.1186/s13071-  
687 015-0779-4. PubMed PMID: 25889256; PubMed Central PMCID: PMCPMC4381491.
- 688 13. World Health Organization, African Programme for Onchocerciasis Control. Report  
689 of the consultative meetings on strategic options and alternative treatment strategies for  
690 accelerating onchocerciasis elimination in Africa. 2015 WHO/MG/15.20.
- 691 14. Al-Kubati AS, Mackenzie CD, Boakye D, Al-Qubati Y, Al-Samie AR, Awad IE, et al.  
692 Onchocerciasis in Yemen: moving forward towards an elimination program. *Int Health*.  
693 2018;10(suppl\_1):i89-i96. doi: 10.1093/inthealth/ihx055. PubMed PMID: 29471343.
- 694 15. Boakye D, Tallant J, Adjami A, Moussa S, Tekle A, Robalo M, et al. Refocusing vector  
695 assessment towards the elimination of onchocerciasis from Africa: a review of the current  
696 status in selected countries. *Int Health*. 2018;10(suppl\_1):i27-i32. doi:  
697 10.1093/inthealth/ihx066. PubMed PMID: 29471346; PubMed Central PMCID:  
698 PMCPMC5881273.
- 699 16. Cantey PT, Roy SL, Boakye D, Mwingira U, Ottesen EA, Hopkins AD, et al.  
700 Transitioning from river blindness control to elimination: steps toward stopping treatment.  
701 *Int Health*. 2018;10(suppl\_1):i7-i13. doi: 10.1093/inthealth/ihx049. PubMed PMID:  
702 29471338; PubMed Central PMCID: PMCPMC5881257.
- 703 17. Elhassan E, Zhang Y, Bush S, Molyneux D, Kollmann MKH, Sodahlon Y, et al. The role  
704 of the NGDO Coordination Group for the Elimination of Onchocerciasis. *Int Health*.  
705 2018;10(suppl\_1):i97-i101. Epub 2018/02/23. doi: 10.1093/inthealth/ihx050. PubMed  
706 PMID: 29471339.
- 707 18. Griswold E, Unnasch T, Eberhard M, Nwoke BEB, Morales Z, Muheki Tukahebwa E,  
708 et al. The role of national committees in eliminating onchocerciasis. *Int Health*.  
709 2018;10(suppl\_1):i60-i70. Epub 2018/02/23. doi: 10.1093/inthealth/ihx048. PubMed  
710 PMID: 29471337.
- 711 19. Katarawa MN, Lakwo T, Habomugisha P, Unnasch TR, Garms R, Hudson-Davis L, et  
712 al. After 70 years of fighting an age-old scourge, onchocerciasis in Uganda, the end is in  
713 sight. *Int Health*. 2018;10(suppl\_1):i79-i88. Epub 2018/02/23. doi:  
714 10.1093/inthealth/ihx044. PubMed PMID: 29471335.
- 715 20. Opoku NO, Bakajika DK, Kanza EM, Howard H, Mambandu GL, Nyathirombo A, et al.  
716 Single dose moxidectin versus ivermectin for *Onchocerca volvulus* infection in Ghana,

- 717 Liberia, and the Democratic Republic of the Congo: a randomised, controlled, double-blind  
718 phase 3 trial. *Lancet*. 2018;392(10154):1207-16. doi: 10.1016/S0140-6736(17)32844-1.  
719 PubMed PMID: 29361335; PubMed Central PMCID: PMC6172290.
- 720 21. Rebollo MP, Zoure H, Ogoussan K, Sodahlon Y, Ottesen EA, Cantey PT.  
721 Onchocerciasis: shifting the target from control to elimination requires a new first-step-  
722 elimination mapping. *Int Health*. 2018;10(suppl\_1):i14-i9. doi: 10.1093/inthealth/ihx052.  
723 PubMed PMID: 29471341.
- 724 22. Unnasch TR, Golden A, Cama V, Cantey PT. Diagnostics for onchocerciasis in the era  
725 of elimination. *Int Health*. 2018;10(suppl\_1):i20-i6. doi: 10.1093/inthealth/ihx047.  
726 PubMed PMID: 29471336.
- 727 23. Boussinesq M, Fobi G, Kuesel AC. Alternative treatment strategies to accelerate the  
728 elimination of onchocerciasis. *Int Health*. 2018;10(suppl\_1):i40-i8. doi:  
729 10.1093/inthealth/ihx054. PubMed PMID: 29471342.
- 730 24. Zouré HG, Noma M, Tekle AH, Amazigo UV, Diggle PJ, Giorgi E, et al. The geographic  
731 distribution of onchocerciasis in the 20 participating countries of the African Programme  
732 for Onchocerciasis Control: (2) pre-control endemicity levels and estimated number  
733 infected. *Parasit Vectors*. 2014;7:326. doi: 10.1186/1756-3305-7-326. PubMed PMID:  
734 25053392; PubMed Central PMCID: PMC4222889.
- 735 25. O'Hanlon SJ, Slater HC, Cheke RA, Boatman BA, Coffeng LE, Pion SD, et al. Model-based  
736 geostatistical mapping of the prevalence of *Onchocerca volvulus* in West Africa. *PLoS Negl  
737 Trop Dis*. 2016;10(1):e0004328. Epub 2016/01/16. doi: 10.1371/journal.pntd.0004328.  
738 PubMed PMID: 26771545; PubMed Central PMCID: PMC4714852.
- 739 26. Schmidt CA, Cromwell EA, Hill E, Donkers KM, Schipp MF, Johnson KB, et al. The  
740 prevalence of onchocerciasis in Africa and Yemen, 2000-2018: a geospatial analysis. *BMC  
741 Med*. 2022;20(1):293. Epub 2022/09/07. doi: 10.1186/s12916-022-02486-y. PubMed  
742 PMID: 36068517; PubMed Central PMCID: PMC9449300.
- 743 27. UNDP/World Bank/WHO Special Programme for Research and Training in Tropical  
744 Diseases. Methods for community diagnosis of onchocerciasis to guide ivermectin based  
745 control in Africa: report of an informal consultation held in Ouagadougou from 19-21  
746 November 1991. Geneva: World Health Organization; 1992.
- 747 28. Ngoumou P, Walsh JF, WHO Programme for the Prevention of Blindness,  
748 UNDP/World Bank/WHO Special Programme for Research and Training in Tropical  
749 Diseases. A manual for rapid epidemiological mapping of onchocerciasis. 1993.
- 750 29. Noma M, Nwoke BE, Nutall I, Tambala PA, Enyong P, Namsenmo A, et al. Rapid  
751 epidemiological mapping of onchocerciasis (REMO): its application by the African  
752 Programme for Onchocerciasis Control (APOC). *Ann Trop Med Parasitol*. 2002;96 Suppl  
753 1:S29-39. PubMed PMID: 12081248.
- 754 30. Noma M, Zouré HG, Tekle AH, Enyong PA, Nwoke BE, Remme JH. The geographic  
755 distribution of onchocerciasis in the 20 participating countries of the African Programme  
756 for Onchocerciasis Control: (1) priority areas for ivermectin treatment. *Parasit Vectors*.  
757 2014;7:325. doi: 10.1186/1756-3305-7-325. PubMed PMID: 25053266; PubMed Central  
758 PMCID: PMC4223657.
- 759 31. World Health Organization, African Programme for Onchocerciasis Control.  
760 Conceptual and operational framework of onchocerciasis elimination with ivermectin  
761 treatment. In: APOC/WHO, editor. Burkina Faso: World Health Organization; 2010.

- 762 32. World Health Organization, African Programme for Onchocerciasis Control.  
763 Guidelines for revising ivermectin treatment boundaries within the context of  
764 onchocerciasis elimination. 2015.
- 765 33. de Vos AS, Stolk WA, de Vlas SJ, Coffeng LE. The effect of assortative mixing on  
766 stability of low helminth transmission levels and on the impact of mass drug  
767 administration: Model explorations for onchocerciasis. *PLoS Negl Trop Dis*.  
768 2018;12(10):e0006624. Epub 2018/10/09. doi: 10.1371/journal.pntd.0006624. PubMed  
769 PMID: 30296264; PubMed Central PMCID: PMC6175282.
- 770 34. Plaisier AP, van Oortmarssen GJ, Habbema JD, Remme J, Alley ES. ONCHOSIM: a  
771 model and computer simulation program for the transmission and control of  
772 onchocerciasis. *Comput Methods Programs Biomed*. 1990;31(1):43-56. PubMed PMID:  
773 2311368.
- 774 35. Remme JHF, Alley ES, Plaisier AP. Estimation and prediction in tropical disease  
775 control: the example of onchocerciasis. In: Mollison D, editor. *Epidemic models: their  
776 structure and relation to data*. Cambridge: Cambridge University Press; 1995. p. 372-92.
- 777 36. Winnen M, Plaisier AP, Alley ES, Nagelkerke NJ, van Oortmarssen G, Boatman BA, et al.  
778 Can ivermectin mass treatments eliminate onchocerciasis in Africa? *Bull World Health  
779 Organ*. 2002;80(5):384-91.
- 780 37. Turner HC, Churcher TS, Walker M, Osei-Atweneboana MY, Prichard RK, Basáñez  
781 MG. Uncertainty surrounding projections of the long-term impact of ivermectin treatment  
782 on human onchocerciasis. *PLoS Negl Trop Dis*. 2013;7(4):e2169. doi:  
783 10.1371/journal.pntd.0002169. PubMed PMID: 23634234; PubMed Central PMCID:  
784 PMC3636241.
- 785 38. Coffeng LE, Stolk WA, Hoerauf A, Habbema D, Bakker R, Hopkins AD, et al.  
786 Elimination of African onchocerciasis: modeling the impact of increasing the frequency of  
787 ivermectin mass treatment. *PLoS One*. 2014;9(12):e115886. doi:  
788 10.1371/journal.pone.0115886. PubMed PMID: 25545677; PubMed Central PMCID:  
789 PMC4278850.
- 790 39. Stolk WA, Walker M, Coffeng LE, Basáñez MG, de Vlas SJ. Required duration of mass  
791 ivermectin treatment for onchocerciasis elimination in Africa: a comparative modelling  
792 analysis. *Parasit Vectors*. 2015;8:552. doi: 10.1186/s13071-015-1159-9. PubMed PMID:  
793 26489937; PubMed Central PMCID: PMC4618738.
- 794 40. Basáñez MG, Walker M, Turner HC, Coffeng LE, de Vlas SJ, Stolk WA. River blindness:  
795 mathematical models for control and elimination. *Adv Parasitol*. 2016;94:247-341. doi:  
796 10.1016/bs.apar.2016.08.003. PubMed PMID: 27756456.
- 797 41. Behrend MR, Basáñez MG, Hamley JID, Porco TC, Stolk WA, Walker M, et al.  
798 Modelling for policy: The five principles of the Neglected Tropical Diseases Modelling  
799 Consortium. *PLoS Negl Trop Dis*. 2020;14(4):e0008033. Epub 2020/04/10. doi:  
800 10.1371/journal.pntd.0008033. PubMed PMID: 32271755; PubMed Central PMCID:  
801 PMC7144973 following competing interests: MRB is a contractor to the Bill & Melinda  
802 Gates Foundation. The other authors declare no competing interests.
- 803 42. World Health Organization, African Programme for Onchocerciasis Control. Report  
804 of the CSA advisory group on onchocerciasis elimination. 2011.
- 805 43. Dyson L, Stolk WA, Farrell SH, Hollingsworth TD. Measuring and modelling the  
806 effects of systematic non-adherence to mass drug administration. *Epidemics*. 2017;18:56-

- 807 66. Epub 2017/03/11. doi: 10.1016/j.epidem.2017.02.002. PubMed PMID: 28279457;  
808 PubMed Central PMCID: PMC5340860.
- 809 44. Basáñez MG, Boussinesq M. Population biology of human onchocerciasis. *Philos*  
810 *Trans R Soc Lond B Biol Sci.* 1999;354(1384):809-26. doi: 10.1098/rstb.1999.0433.  
811 PubMed PMID: 10365406; PubMed Central PMCID: PMC1692549.
- 812 45. Basáñez MG, Ricardez-Esquinca J. Models for the population biology and control of  
813 human onchocerciasis. *Trends Parasitol.* 2001;17(9):430-8. PubMed PMID: 11530355.
- 814 46. Filipe JA, Boussinesq M, Renz A, Collins RC, Vivas-Martinez S, Grillet ME, et al.  
815 Human infection patterns and heterogeneous exposure in river blindness. *Proc Natl Acad*  
816 *Sci U S A.* 2005;102(42):15265-70. Epub 2005/10/12. doi: 10.1073/pnas.0502659102.  
817 PubMed PMID: 16217028; PubMed Central PMCID: PMC1257694.
- 818 47. Hamley JID, Milton P, Walker M, Basáñez MG. Modelling exposure heterogeneity and  
819 density dependence in onchocerciasis using a novel individual-based transmission model,  
820 EPIONCHO-IBM: Implications for elimination and data needs. *PLoS Negl Trop Dis.*  
821 2019;13(12):e0007557. Epub 2019/12/06. doi: 10.1371/journal.pntd.0007557. PubMed  
822 PMID: 31805049; PubMed Central PMCID: PMC67006940.
- 823 48. Michael E, Smith ME, Katarawa MN, Byamukama E, Griswold E, Habomugisha P, et  
824 al. Substantiating freedom from parasitic infection by combining transmission model  
825 predictions with disease surveys. *Nat Commun.* 2018;9(1):4324. Epub 2018/10/20. doi:  
826 10.1038/s41467-018-06657-5. PubMed PMID: 30337529; PubMed Central PMCID:  
827 PMC6193962.
- 828 49. Michael E, Smith ME, Singh BK, Katarawa MN, Byamukama E, Habomugisha P, et al.  
829 Data-driven modelling and spatial complexity supports heterogeneity-based integrative  
830 management for eliminating *Simulium neavei*-transmitted river blindness. *Sci Rep.*  
831 2020;10(1):4235. Epub 2020/03/08. doi: 10.1038/s41598-020-61194-w. PubMed PMID:  
832 32144362; PubMed Central PMCID: PMC6706237.
- 833 50. Hamley JID, Walker M, Coffeng LE, Milton P, de Vlas SJ, Stolk WA, et al. Structural  
834 uncertainty in onchocerciasis transmission models influences the estimation of elimination  
835 thresholds and selection of age groups for seromonitoring. *J Infect Dis.* 2020;221(Suppl  
836 5):S510-S8. Epub 2020/03/17. doi: 10.1093/infdis/jiz674. PubMed PMID: 32173745;  
837 PubMed Central PMCID: PMC67289547.
- 838 51. World Health Organization. Guidelines for stopping mass drug administration and  
839 verifying elimination of human onchocerciasis: criteria and procedures. Geneva: World  
840 Health Organization; 2016.
- 841 52. Lont YL, Coffeng LE, de Vlas SJ, Golden A, de Los Santos T, Domingo GJ, et al.  
842 Modelling anti-Ov16 IgG4 antibody prevalence as an indicator for evaluation and decision  
843 making in onchocerciasis elimination programmes. *PLoS Negl Trop Dis.*  
844 2017;11(1):e0005314. doi: 10.1371/journal.pntd.0005314. PubMed PMID: 28114304;  
845 PubMed Central PMCID: PMC5289624.
- 846 53. Verver S, Walker M, Kim YE, Fobi G, Tekle AH, Zoure HGM, et al. How can  
847 onchocerciasis elimination in Africa be accelerated? Modeling the impact of increased  
848 ivermectin treatment frequency and complementary vector control. *Clin Infect Dis.*  
849 2018;66(suppl\_4):S267-S74. doi: 10.1093/cid/cix1137. PubMed PMID: 29860291; PubMed  
850 Central PMCID: PMC5982715.
- 851 54. Coffeng LE, Stolk WA, Golden A, de Los Santos T, Domingo GJ, de Vlas SJ. Predictive  
852 value of Ov16 antibody prevalence in different subpopulations for elimination of African

- 853 onchocerciasis. Am J Epidemiol. 2019;188(9):1723-32. Epub 2019/05/08. doi:  
854 10.1093/aje/kwz109. PubMed PMID: 31062838; PubMed Central PMCID:  
855 PMCPMC6735885.
- 856 55. Blok DJ, Kamgno J, Pion SD, Nana-Djeunga HC, Niamsi-Emalio Y, Chesnais CB, et al.  
857 Feasibility of onchocerciasis elimination using a "test-and-not-treat" strategy in *Loa loa* co-  
858 endemic Areas. Clin Infect Dis. 2021;72(12):e1047-e55. Epub 2020/12/09. doi:  
859 10.1093/cid/ciaa1829. PubMed PMID: 33289025; PubMed Central PMCID:  
860 PMCPMC8204788.
- 861 56. de Vos AS, Stolk WA, Coffeng LE, de Vlas SJ. The impact of mass drug administration  
862 expansion to low onchocerciasis prevalence settings in case of connected villages. PLoS  
863 Negl Trop Dis. 2021;15(5):e0009011. Epub 2021/05/13. doi:  
864 10.1371/journal.pntd.0009011. PubMed PMID: 33979331; PubMed Central PMCID:  
865 PMCPMC8143415.
- 866 57. Koala L, Nikiema A, Post RJ, Paré AB, Kafando CM, Drabo F, et al. Recrudescence of  
867 onchocerciasis in the Comoé valley in Southwest Burkina Faso. Acta Trop. 2017;166:96-  
868 105. doi: 10.1016/j.actatropica.2016.11.003. PubMed PMID: 27845063.
- 869 58. Nikiéma AS, Koala L, Post RJ, Paré AB, Kafando CM, Drabo F, et al. Onchocerciasis  
870 prevalence, human migration and risks for onchocerciasis elimination in the Upper  
871 Mouhoun, Nakambe and Nazinon river basins in Burkina Faso. Acta Trop. 2018;185:176-  
872 82. doi: 10.1016/j.actatropica.2018.05.013. PubMed PMID: 29782820.
- 873 59. Koala L, Nikiema AS, Pare AB, Drabo F, Toe LD, Belem AMG, et al. Entomological  
874 assessment of the transmission following recrudescence of onchocerciasis in the Comoé  
875 Valley, Burkina Faso. Parasit Vectors. 2019;12(1):34. doi: 10.1186/s13071-019-3290-5.  
876 PubMed PMID: 30646934; PubMed Central PMCID: PMCPMC6332526.
- 877 60. Garms R, Walsh JF, Davies JB. Studies on the reinvasion of the Onchocerciasis  
878 Control Programme in the Volta River Basin by *Simulium damnosum* s.l. with emphasis on  
879 the south-western areas. Tropenmed Parasitol. 1979;30(3):345-62. Epub 1979/09/01.  
880 PubMed PMID: 575581.
- 881 61. Le Berre R, Garms R, Davies JB, Walsh JF, Philippon B, Johnson CG, et al.  
882 Displacements of *Simulium damnosum* and strategy of control against onchocerciasis [and  
883 discussion]. Philos Trans R Soc Lond B Biol Sci. 1979;287(1022):277-88. Epub  
884 1979/11/20. doi: 10.1098/rstb.1979.0061. PubMed PMID: 43521.
- 885 62. Baker RH, Guillet P, Seketeli A, Poudiougou P, Boakye D, Wilson MD, et al. Progress in  
886 controlling the reinvasion of windborne vectors into the western area of the Onchocerciasis  
887 Control Programme in West Africa [and discussion]. Philos Trans R Soc Lond B Biol Sci.  
888 1990;328(1251):731-47, discussion 47-50. Epub 1990/06/30. doi:  
889 10.1098/rstb.1990.0141. PubMed PMID: 1976266.
- 890 63. Guillet P. Long distance migrations of blackflies and onchocerciasis transmission. In  
891 Dadzie Y, Neira M, Hopkins D. Final report of the Conference on the Eradicability of  
892 Onchocerciasis. Filaria J. 2003;2(2):53-8.
- 893 64. Remme JH. Research for control: the onchocerciasis experience. Trop Med Int  
894 Health. 2004;9(2):243-54. PubMed PMID: 15040562.
- 895 65. Boatman B. The Onchocerciasis Control Programme in West Africa (OCP). Ann Trop  
896 Med Parasitol. 2008;102(Suppl 1):13-7.
- 897 66. Wiratsudakul A, Suparit P, Modchang C. Dynamics of Zika virus outbreaks: an  
898 overview of mathematical modeling approaches. PeerJ. 2018;6:e4526. Epub 2018/03/30.



- 899 doi: 10.7717/peerj.4526. PubMed PMID: 29593941; PubMed Central PMCID:  
900 PMCPMC5866925.
- 901 67. Gambhir M, Michael E. Complex ecological dynamics and eradicability of the vector  
902 borne macroparasitic disease, lymphatic filariasis. *PLoS One*. 2008;3(8):e2874. Epub  
903 2008/08/22. doi: 10.1371/journal.pone.0002874. PubMed PMID: 18716676; PubMed  
904 Central PMCID: PMCPMC2518518.
- 905 68. Gambhir M, Singh BK, Michael E. The Allee effect and elimination of neglected  
906 tropical diseases: a mathematical modelling study. *Adv Parasitol*. 2015;87:1-31. Epub  
907 2015/03/15. doi: 10.1016/bs.apar.2014.12.001. PubMed PMID: 25765192.
- 908 69. Stolk WA, Stone C, de Vlas SJ. Modelling lymphatic filariasis transmission and  
909 control: modelling frameworks, lessons learned and future directions. *Adv Parasitol*.  
910 2015;87:249-91. Epub 2015/03/15. doi: 10.1016/bs.apar.2014.12.005. PubMed PMID:  
911 25765197.
- 912 70. Riley S. Large-scale spatial-transmission models of infectious disease. *Science*.  
913 2007;316(5829):1298-301. Epub 2007/06/02. doi: 10.1126/science.1134695. PubMed  
914 PMID: 17540894.
- 915 71. Basáñez M-G, Walker M, Turner HC, Coffeng LE, De Vlas SJ, Stolk WA. River  
916 blindness: mathematical models for control and elimination. In: Basanez MG, Anderson RM,  
917 editors. *Mathematical Models for Neglected Tropical Diseases: Essential tools for control*  
918 *and elimination, part B. Advances in Parasitology*. 94. New York: Elsevier; 2016.
- 919 72. Prost A, Hervouet JP, Thylefors B. Epidemiologic status of onchocerciasis. *Bull World*  
920 *Health Organ*. 1979;57(4):655-62.
- 921 73. Dadzie Y, Amazigo UV, Boatman BA, Seketeli A. Is onchocerciasis elimination in Africa  
922 feasible by 2025: a perspective based on lessons learnt from the African control  
923 programmes. *Infect Dis Poverty*. 2018;7(1):63. doi: 10.1186/s40249-018-0446-z. PubMed  
924 PMID: 29966535; PubMed Central PMCID: PMCPMC6029117.
- 925 74. World Health Organization, African Programme for Onchocerciasis Control.  
926 *Conceptual and operational framework of onchocerciasis elimination with ivermectin*  
927 *treatment*. Geneva: African Programme for Onchocerciasis Control; 2010.
- 928 75. Agoua H, Alley ES, Hougard J-M, Akpoboua KLB, Boatman B, Sékétéli A. Études  
929 entomologiques de post-traitement dans le programme de lutte contre l'onchocercose en  
930 Afrique de l'Ouest / Procedure of definitive cessation of larviciding in the Onchocerciasis  
931 Control Programme in West Africa : entomological post-control studies. *Parasite*.  
932 1995;2:281-8. doi: doi.org/10.1051/parasite/1995023281.
- 933 76. Bottomley C, Isham V, Vivas-Martinez S, Kuesel AC, Attah SK, Opoku NO, et al.  
934 *Modelling neglected tropical diseases diagnostics: the sensitivity of skin snips for*  
935 *Onchocerca volvulus* in near elimination and surveillance settings. *Parasit Vectors*.  
936 2016;9(1):343. doi: 10.1186/s13071-016-1605-3. PubMed PMID: 27301567; PubMed  
937 Central PMCID: PMCPMC4908809.
- 938 77. Organisation mondiale de la Santé, Programme de Lutte contre l'Onchocercose dans  
939 la Région du Bassin de la Volta, Prost A, Prod'hon J. Le diagnostic parasitologique de  
940 l'onchocercose : revue critique des méthodes en usage. 1977 Contract No.: OCP/STAC6.4.
- 941 78. Prost A, Prod'hon J. Le diagnostic parasitologique de l'onchocercose : revue critique  
942 des méthodes en usage. *Médecine Tropicale*. 1978;38(5):519-32.

- 943 79. Anderson RM, May RM. Helminth infections of humans: mathematical models,  
944 population dynamics, and control. *Adv Parasitol.* 1985;24:1-101. Epub 1985/01/01. doi:  
945 10.1016/s0065-308x(08)60561-8. PubMed PMID: 3904343.
- 946 80. Basáñez MG, Churcher TS, Grillet ME. *Onchocerca-Simulium* interactions and the  
947 population and evolutionary biology of *Onchocerca volvulus*. *Adv Parasitol.* 2009;68:263-  
948 313. doi: 10.1016/S0065-308X(08)00611-8. PubMed PMID: 19289198.
- 949 81. Duerr HP, Raddatz G, Eichner M. Control of onchocerciasis in Africa: threshold shifts,  
950 breakpoints and rules for elimination. *Int J Parasitol.* 2011;41(5):581-9. Epub 2011/01/25.  
951 doi: 10.1016/j.ijpara.2010.12.009. PubMed PMID: 21255577.
- 952 82. Turner HC, Walker M, Churcher TS, Osei-Atweneboana MY, Biritwum NK, Hopkins A,  
953 et al. Reaching the London Declaration on Neglected Tropical Diseases goals for  
954 onchocerciasis: an economic evaluation of increasing the frequency of ivermectin  
955 treatment in Africa. *Clin Infect Dis.* 2014;59(7):923-32. doi: 10.1093/cid/ciu467. PubMed  
956 PMID: 24944228; PubMed Central PMCID: PMC4166981.
- 957 83. World Health Organization, Onchocerciasis Control Programme in the Volta River  
958 Basin Area. Criteria for the definition of "onchocerciasis freed area" and a tolerable level of  
959 its transmission. 1977.
- 960 84. WHO Expert Committee on Onchocerciasis Control (1993 : Geneva Switzerland),  
961 World Health Organization. Onchocerciasis and its control : report of a WHO Expert  
962 Committee on Onchocerciasis Control. Geneva: World Health Organization; 1995. 103 p.
- 963 85. Rodríguez-Pérez MA, Katholi CR, Hassan HK, Unnasch TR. Large-scale entomologic  
964 assessment of *Onchocerca volvulus* transmission by poolscreen PCR in Mexico. *Am J Trop  
965 Med Hyg.* 2006;74(6):1026-33. PubMed PMID: 16760515.
- 966 86. Marino S, Hogue IB, Ray CJ, Kirschner DE. A methodology for performing global  
967 uncertainty and sensitivity analysis in systems biology. *J Theor Biol.* 2008;254(1):178-96.
- 968 87. Disney RH, Boreham PF. Blood gorged resting blackflies in Cameroon and evidence  
969 of zoophily in *Simulium damnosum*. *Trans R Soc Trop Med Hyg.* 1969;63(2):286-7. Epub  
970 1969/01/01. doi: 10.1016/0035-9203(69)90163-1. PubMed PMID: 5794461.
- 971 88. Toé L, Merriweather A, Unnasch TR. DNA probe-based classification of *Simulium  
972 damnosum s. l.*-borne and human-derived filarial parasites in the Onchocerciasis Control  
973 Program area. *Am J Trop Med Hyg.* 1994;51(5):676-83. Epub 1994/11/01. PubMed PMID:  
974 7985761.
- 975 89. Cheke RA, Denke AM. Anthropophily, zoophily and roles in onchocerciasis  
976 transmission of the Djodji form of *Simulium sanctipauli* and *S. squamosum* in a forest zone  
977 of Togo. *Trop Med Parasitol.* 1988;39(2):123-7. PubMed PMID: 3175468.
- 978 90. Disney RH. Observations on chicken-biting blackflies in Cameroon with a discussion  
979 of parous rates of *Simulium damnosum*. *Ann Trop Med Parasitol.* 1972;66(1):149-58. Epub  
980 1972/03/01. doi: 10.1080/00034983.1972.11686807. PubMed PMID: 5021565.
- 981 91. Thompson BH. Studies on the attraction of *Simulium damnosum s.l.* (Diptera:  
982 Simuliidae) to its hosts. III. Experiments with animal-baited traps. *Tropenmed Parasitol.*  
983 1977;28(2):226-8. Epub 1977/06/01. PubMed PMID: 888186.
- 984 92. Philippon B. Étude de la transmission d'*Onchocerca volvulus* (Leuckart, 1893)  
985 (Nematoda, Onchocercidae) par *Simulium damnosum* Theobald, 1903 (Diptera: Simuliidae)  
986 en Afrique tropicale. *Trav Doc ORSTOM.* 1977;63:308.
- 987 93. Lamberton PH, Cheke RA, Walker M, Winskill P, Crainey JL, Boakye DA, et al.  
988 Onchocerciasis transmission in Ghana: the human blood index of sibling species of the

- 989 *Simulium damnosum* complex. Parasit Vectors. 2016;9(1):432. Epub 2016/08/09. doi:  
990 10.1186/s13071-016-1703-2. PubMed PMID: 27494934; PubMed Central PMCID:  
991 PMCPMC4975878.
- 992 94. McCulloch K, Golding N, McVernon J, Goodwin S, Tomko M. Ensemble model for  
993 estimating continental-scale patterns of human movement: a case study of Australia. Sci  
994 Rep. 2021;11(1):4806. Epub 2021/02/28. doi: 10.1038/s41598-021-84198-6. PubMed  
995 PMID: 33637816; PubMed Central PMCID: PMCPMC7910534.
- 996 95. Lakwo T, Garms R, Wamani J, Tukahebwa EM, Byamukama E, Onapa AW, et al.  
997 Interruption of the transmission of *Onchocerca volvulus* in the Kashoya-Kitomi focus,  
998 western Uganda by long-term ivermectin treatment and elimination of the vector *Simulium*  
999 *neavei* by larviciding. Acta Trop. 2017;167:128-36. doi: 10.1016/j.actatropica.2016.12.029.  
1000 PubMed PMID: 28034767.
- 1001 96. World Health Organization, Onchocerciasis Control Programme in West Africa.  
1002 Twenty years of onchocerciasis control in West Africa: review of the work of the  
1003 Onchocerciasis Control Programme in West Africa from 1974 to 1994. Geneva, Switzerland:  
1004 World Health Organization, 1997.
- 1005 97. Jacob BG, Loum D, Lakwo TL, Katholi CR, Habomugisha P, Byamukama E, et al.  
1006 Community-directed vector control to supplement mass drug distribution for  
1007 onchocerciasis elimination in the Madi mid-North focus of Northern Uganda. PLoS Negl  
1008 Trop Dis. 2018;12(8):e0006702. Epub 2018/08/28. doi: 10.1371/journal.pntd.0006702.  
1009 PubMed PMID: 30148838; PubMed Central PMCID: PMCPMC6128654.
- 1010 98. Jacob B, Loum D, Munu D, Lakwo T, Byamukama E, Habomugisha P, et al.  
1011 Optimization of slash and clear community-directed control of *Simulium damnosum sensu*  
1012 *stricto* in northern Uganda. Am J Trop Med Hyg. 2021. Epub 2021/01/13. doi:  
1013 10.4269/ajtmh.20-1104. PubMed PMID: 33432900; PubMed Central PMCID:  
1014 PMCPMC8045649.
- 1015 99. Raimon S, Lakwo TL, Sebit WJ, Siewe Fodjo JN, Alinda P, Carter JY, et al. "Slash and  
1016 clear", a community-based vector control method to reduce onchocerciasis transmission by  
1017 *Simulium sirbanum* in Maridi, South Sudan: a prospective study. Pathogens.  
1018 2021;10(10):1329.
- 1019 100. Stolk WA, Blok DJ, Hamley JID, Cantey PT, de Vlas SJ, Walker M, et al. Scaling-down  
1020 mass ivermectin treatment for onchocerciasis elimination: modeling the impact of the  
1021 geographical unit for decision making. Clin Infect Dis. 2021;72(Suppl 3):S165-S71. Epub  
1022 2021/04/29. doi: 10.1093/cid/ciab238. PubMed PMID: 33909070; PubMed Central  
1023 PMCID: PMCPMC8201558.
- 1024 101. Koala L, Grant WN, McCulloch K, Hedtke SM, Kuesel AC, Boakye D, editors. CORNTD  
1025 Research Links: Delineation of transmission zones to improve the evidence base for stop  
1026 MDA decisions and reduce the risk of resurgence2021.

1027

## 1028 **Supporting information Legend**

1029 S1 File: Model equations, parameter table, and supplemental figures.

1030