

1 Puberty differentially predicts brain maturation in male and female youth: A longitudinal ABCD
2 Study

3
4 Dani Beck^{1,2,3}, Lia Ferschmann³, Niamh MacSweeney⁴, Linn B. Norbom^{1,2,3}, Thea Wiker^{1,2,3}, Eira
5 Aksnes^{1,2,3}, Valerie Karl^{2,3}, Fanny Dégeilh⁵, Madelene Holm^{6,7}, Kathryn L. Mills^{3,8}, Ole A.
6 Andreassen^{6,9}, Ingrid Agartz^{1,2,10}, Lars T. Westlye^{6,7,9}, Tilmann von Soest³, Christian K. Tamnes^{1,2,3}

7
8
9 ¹ Department of Psychiatric Research, Diakonhjemmet Hospital, Oslo, Norway

10 ² NORMENT, Institute of Clinical Medicine, University of Oslo, Norway

11 ³ PROMENTA Research Center, Department of Psychology, University of Oslo, Norway

12 ⁴ Division of Psychiatry, University of Edinburgh, Edinburgh, United Kingdom

13 ⁵ Univ Rennes, CNRS, Inria, Inserm, IRISA UMR 6074, EMPENN – ERL U 1228, Rennes, France

14 ⁶ NORMENT, Division of Mental Health and Addiction, Oslo University Hospital & Institute of
15 Clinical Medicine, University of Oslo, Norway

16 ⁷ Department of Psychology, University of Oslo, Norway

17 ⁸ Department of Psychology, University of Oregon, Eugene, OR, USA

18 ⁹ KG Jebsen Centre for Neurodevelopmental Disorders, University of Oslo, Norway

19 ¹⁰ Department of Clinical Neuroscience, Karolinska Institutet, Stockholm, Sweden

20

21

22

23

24

25

26 Correspondence: Dani Beck (dani.beck@psykologi.uio.no).

27

28

29

30

31

32

33

34

35 **Abstract**

36 Research has demonstrated associations between pubertal development and brain maturation.
37 However, existing studies have been limited by small samples, cross-sectional designs, and
38 inconclusive findings regarding directionality of effects and sex differences.

39 We examined the longitudinal temporal coupling of puberty status assessed using the
40 Pubertal Development Scale (PDS) and magnetic resonance imaging (MRI)-based grey and
41 white matter brain structure. Our sample consisted of 8,896 children and adolescents at
42 baseline (mean age = 9.9) and 6,099 at follow-up (mean age = 11.9) from the Adolescent
43 Brain and Cognitive Development (ABCD) Study.

44 Applying multigroup Bivariate Latent Change Score (BLCS) models, we found that
45 baseline PDS predicted the rate of change in cortical thickness among females and rate of
46 change in cortical surface area for both males and females. We also found a correlation
47 between baseline PDS and surface area and co-occurring changes over time in males.
48 Diffusion tensor imaging (DTI) analysis revealed correlated change between PDS and
49 fractional anisotropy (FA) for both males and females, but no significant associations for
50 mean diffusivity (MD).

51 Our results suggest that pubertal status predicts cortical maturation, and that the
52 strength of the associations differ between sex. Further research is needed to understand the
53 impact of environmental and lifestyle factors.

54

55

56

57

58

59 **Keywords:** ABCD Study, Adolescence, Brain maturation, Development, Longitudinal,
60 Puberty

61

62

63

64

65

66

67

68

69 **1. Introduction**

70 Adolescence is a transitional stage from childhood to adulthood that is marked by prolonged
71 tissue-specific neurodevelopmental processes. Tethered to this, puberty has been highlighted
72 as a defining period for protracted brain structural maturation during adolescence, with a
73 range of studies linking concurrent trends of pubertal and brain development that go beyond
74 the effects of age (Ando et al., 2021; Blakemore et al., 2010; Herting & Sowell, 2017;
75 Vijayakumar et al., 2021). However, existing studies on puberty-brain associations are
76 limited by small sample sizes and cross-sectional designs, in addition limited research on
77 directionality of effects, underscoring the need for large-scale longitudinal studies that
78 examine the temporal coupling of pubertal development and brain maturational processes.

79 Although pubertal development is characterised by progress through the same stages
80 for each individual — involving changes in secondary sex characteristics, rising hormone
81 levels, and emerging reproductive capability — there is a large variation in the timing and
82 tempo of these changes. The variation in pubertal timing, defined as an individual's relative
83 pubertal developmental stage compared with same -age and -sex peers (Ullsperger &
84 Nikolas, 2017), involve both inter-individual and between-sex differences, with the typical
85 age of pubertal onset ranging from 9 to 14 years in males and 8 to 13 years in females
86 (Herting et al., 2021; Savin-Williams & Ream, 2006).

87 Additionally, there is a genetic contribution, with heritability estimates ranging from
88 50 to 80% (Stroud & Davila, 2011). A growing body of evidence has also linked variation in
89 pubertal timing to lifestyle and environmental factors, including childhood obesity (Ahmed et
90 al., 2009; Herting et al., 2021) and socioeconomic status (SES) (Braithwaite et al., 2009;
91 Herting et al., 2021). An implication of this is that pubertal timing may be partially malleable
92 and, as such, represents a window of opportunity for early intervention that targets youth at
93 risk of health issues related to pubertal timing. For example, earlier pubertal onset is
94 associated with an increased risk of mental health outcomes related to risk-taking (Braams et
95 al., 2015; Collado-Rodriguez et al., 2014), depression and anxiety (Copeland et al., 2019;
96 MacSweeney et al., 2023; McNeilly et al., 2022; Mendle et al., 2010; Mendle & Ferrero,
97 2012), and substance use (Marceau et al., 2019; Patton et al., 2004; Stumper et al., 2019).

98 In conjunction to pubertal development, the brain shows continued tissue-specific
99 changes that are prone to influence by fluctuating environmental pressures (Ferschmann et
100 al., 2022; Tooley et al., 2021) beyond the complex genetic contribution (Grasby et al., 2020).
101 Further, puberty has been implicated as an influencing factor to the rate of maturation in the

102 brain, and as such recommended as non-negligible when studying adolescent brain
103 maturation (Holm et al., 2022; Wierenga et al., 2018).

104 Previous cross-sectional (Bramen et al., 2011; Paus et al., 2010; Pfefferbaum et al.,
105 2016) and longitudinal (Herting et al., 2015; Nguyen et al., 2013; Vijayakumar et al., 2021)
106 studies have reported reductions in global grey matter volume and cortical thickness
107 associated with higher pubertal status and testosterone levels, mirroring normative
108 developmental patterns of grey matter during adolescence (Mills et al., 2016; Tamnes et al.,
109 2017). However, when controlling for age, findings have been less consistent, with some
110 studies reporting associations between decreased cortical grey matter and more pubertally
111 developed females (Bramen et al., 2011; Peper, Brouwer, et al., 2009), others reporting
112 positive associations between grey matter volume and testosterone in males (Peper, Brouwer,
113 et al., 2009), and several reporting null findings for both sexes (Bramen et al., 2011;
114 Koolschijn et al., 2014; Peper, Brouwer, et al., 2009; Peper, Schnack, et al., 2009).

115 For white matter, numerous cross-sectional studies have reported positive associations
116 between pubertal status and white matter volumes (Chavarria et al., 2014; Perrin et al., 2009;
117 Pfefferbaum et al., 2016), with some conflicting findings (Peper, Schnack, et al., 2009).
118 Similarly, studies have reported positive associations between testosterone levels and white
119 matter volume among males (Paus et al., 2010; Perrin et al., 2008), with inconsistent findings
120 when accounting for age (Peper, Brouwer, et al., 2009).

121 Diffusion tensor imaging (DTI) provides information regarding white matter
122 architecture and microstructure. DTI studies have generally reported higher fractional
123 anisotropy (FA) and lower mean diffusivity (MD) among more pubertally developed
124 adolescents (Herting et al., 2012; Menzies et al., 2014), mirroring normative developmental
125 patterns (Lebel & Deoni, 2018; Pfefferbaum et al., 2016). However, to date, only one
126 longitudinal study (Herting et al., 2017) has investigated associations between puberty and
127 white matter microstructure using DTI, albeit with a small sample, finding that physical
128 pubertal changes predicted changes in white matter. However, further longitudinal research is
129 necessary to validate and extend previous findings and to examine potential sex differences.

130 Using a large-scale longitudinal sample (N = 8,896 at baseline; N = 6,099 at follow-
131 up) of children and adolescents between the ages of 9-14 years from the Adolescent Brain
132 Cognitive Development (ABCD) Study cohort, we investigated the developmental
133 associations between puberty and brain structure and tested whether and to what extent these
134 associations differ between male and female youth. By leveraging a powerful Structural
135 Equation Modeling (SEM) framework, multigroup Bivariate Latent Change Scores (BLCS),

136 we examined how individual and sex differences in pubertal development relate to
137 differences in structural brain maturation. Importantly, BLSC allows us to test the temporal
138 dynamics of the puberty-brain relationship, specifically whether pubertal status and brain
139 features correlate at baseline, brain structure at baseline predicts change in pubertal status,
140 baseline pubertal status predicts change in brain structure, and whether changes in puberty
141 and brain structure co-occur over the course of the study period.

142 Based on the most consistently reported effects documented to date, we expected
143 cross-sectional and longitudinal associations between pubertal status measured with the
144 Pubertal Development Scale (PDS) and global features of cortical thickness and surface area
145 and white matter microstructure (FA, MD) in the examined age range. Specifically, based on
146 morphometrical and DTI studies (Bramen et al., 2011; Herting et al., 2012, 2015; Menzies et
147 al., 2014; Nguyen et al., 2013; Paus et al., 2010; Pfefferbaum et al., 2016; Vijayakumar et al.,
148 2021) reporting effects that mirror normative developmental patterns, we hypothesised
149 correlations at baseline across all brain MRI features and for changes in pubertal status and
150 brain structure to co-occur. In terms of coupling effects (i.e., regressions), despite limited
151 research on directionality of effects, we hypothesised that baseline pubertal status would
152 predict change in global brain structure and not vice versa, in line with a previous study
153 reporting pubertal changes predicting changes in brain maturation (Herting et al., 2017).
154 Additionally, based on previous research reporting more consistent effects for females
155 compared to males, we hypothesised sex related effects to be present, with generally stronger
156 puberty-brain associations in females compared to males.

157

158 **2. Methodology**

159 *2.1. Description of sample*

160 The initial sample consisted of children and adolescents that are part of the ongoing
161 longitudinal ABCD Study, including a baseline cohort of ~11,800 nine- and ten-year-olds to
162 be followed for the course of ten years (Garavan et al., 2018). Data used in the present study
163 were drawn from the ABCD curated annual release 4.0, containing data from baseline up
164 until the second-year visit (<https://data-archive.nimh.nih.gov/abcd>). All ABCD Study data is
165 stored in the NIMH Data Archive Collection #2573, which is available for registered and
166 authorised users (Request #7474, PI: Westlye). The 4.0 release will be permanently available
167 as a persistent dataset defined in the NDA Study 1299 and has been assigned the DOI
168 10.15154/1523041.

169 To minimize confounding effects from complex family-related factors, unrelated
 170 participants were chosen by randomly selecting an individual from each family ID,
 171 subsequently excluding any siblings (see Supporting Information (SI) Section 1 for details).
 172 Additionally, participants were excluded using the ABCD Study exclusion criteria, which
 173 included non-English proficiency, general MRI contraindications, a history of a major
 174 neurological disorder, traumatic brain injury, extreme premature birth (<28 weeks gestational
 175 age), a diagnosis of schizophrenia, intellectual disability, moderate to severe autism spectrum
 176 disorder, or substance abuse disorder (Karcher et al., 2018).

177 Following procedures of quality control (see SI Section 1) for each brain measure
 178 (FA, MD, cortical thickness, surface area), PDS, and our covariates of interest including SES,
 179 body-mass index (BMI), and genetic ancestry-derived ethnicity, the final sample consisted of
 180 N = 8,896 participants at baseline (4,223 females, 4,673 males) and N = 6,099 participants at
 181 follow-up (2,798 females, 3,301 males). Attrition analyses can be found in SI Section 1 and
 182 SI Figure 1. Table 1 displays means and standard deviations of each brain MRI metric, PDS,
 183 and covariates of interest, split by sex, while the age and PDS distributions in the sample are
 184 presented in Figure 1. Ethical approvals for the study are described in SI Section 2.

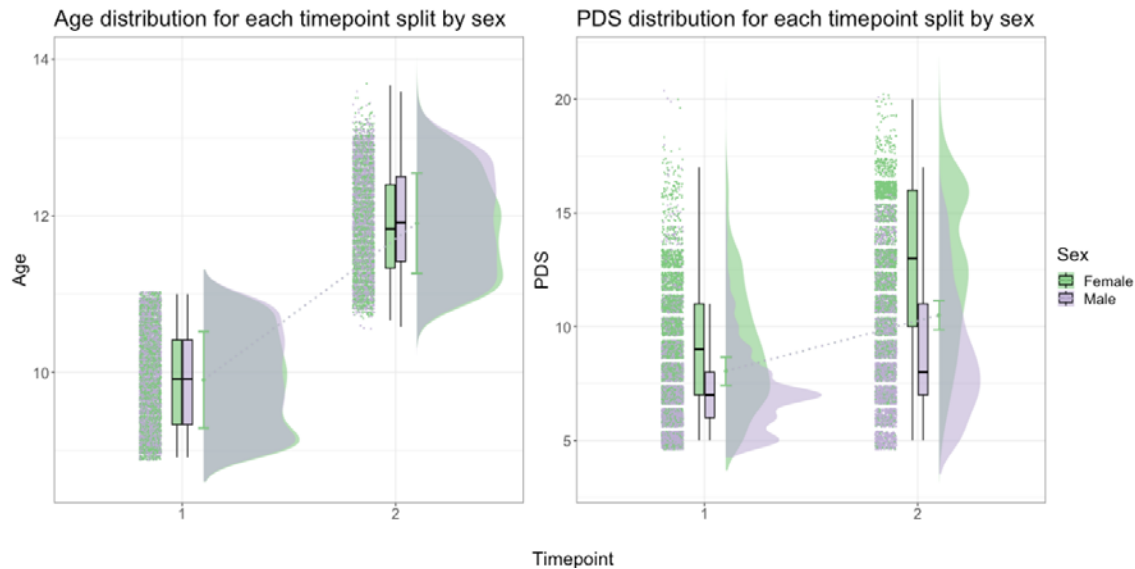
185

Table 1. Descriptive statistics of the sample, including mean \pm standard deviation (SD) for each measure.

	Baseline	Follow-up	Males at	Females at	Males at	Females at
	sample	sample	baseline	baseline	follow-up	follow-up
N subjects	8,896	6,099	4,673	4,223	3,301	2,798
Age	9.9 \pm 0.62	11.9 \pm 0.64	9.9 \pm 0.62	9.9 \pm 0.61	11.9 \pm 0.64	11.9 \pm 0.63
PDS	8.0 \pm 2.40	10.5 \pm 3.48	7.2 \pm 1.86	8.9 \pm 2.59	8.9 \pm 2.74	12.4 \pm 3.30
FA	0.503 \pm 0.02	0.509 \pm 0.02	0.503 \pm 0.02	0.503 \pm 0.02	0.509 \pm 0.02	0.510 \pm 0.02
MD	0.800 \pm 0.02	0.789 \pm 0.02	0.802 \pm 0.03	0.790 \pm 0.02	0.792 \pm 0.02	0.786 \pm 0.02
CT	2.72 \pm 0.09	2.69 \pm 0.09	2.72 \pm 0.09	2.73 \pm 0.09	2.69 \pm 0.09	2.69 \pm 0.09
SA	1,899 \pm 180	1,907 \pm 183	1,977 \pm 167	1,813 \pm 154	1,990 \pm 168	1,814 \pm 153
BMI	18.82 \pm 4.13	20.57 \pm 4.84	18.75 \pm 4.03	18.91 \pm 4.23	20.35 \pm 4.71	20.84 \pm 4.98
SES	7.25 \pm 2.39	7.56 \pm 2.23	7.26 \pm 2.39	7.24 \pm 2.39	7.58 \pm 2.44	7.53 \pm 2.21

Note: MRI metrics of FA, MD, cortical thickness (CT), and surface area (SA) represent scanner-harmonised scores. CT represented in mm. Area represented in cm². SES represents a total score derived from the average income from both parental and partner income, where 7 represents those earning between \$50-75k annually.

186



187

188 **Figure 1.** Age (left) and PDS (right) distribution of the study sample, split by sex and timepoint. Dotted line
189 between plots connects the mean age and PDS values at baseline (timepoint 1) and follow-up (timepoint 2). Age
190 and total PDS scores shown as distributions where green represents females and purple represents males.

191

192 2.2. MRI acquisition and processing

193 Neuroimaging data were acquired at 21 different sites and processed by the ABCD team. A
194 3-T Siemens Prisma, General Electric 750 or Phillips scanner was used for data acquisition.
195 Protocols used for data acquisition and processing are described elsewhere (Casey et al.,
196 2018; Hagler et al., 2019). In brief, T1-weighted data was acquired by magnetisation-
197 prepared rapid acquisition gradient echo scans with a resolution of $1 \times 1 \times 1 \text{ mm}^3$, which was
198 used for generating cortical structural measures, and diffusion-weighted data was obtained by
199 high angular resolution diffusion imaging scans, used for generating white matter
200 microstructural measures.

201 Two modalities of brain structural measures were used in the present study: grey
202 matter cortical measures and white matter microstructural measures (Hagler et al., 2019).
203 Cortical reconstruction and volumetric segmentation was performed with FreeSurfer 6.0
204 (Dale et al., 1999; Fischl et al., 2002). White matter microstructural measures (DTI) were
205 generated using AtlasTrack, a probabilistic atlas-based method for automated segmentation
206 of white matter fiber tracts (Hagler Jr. et al., 2009). For cortical measures, global measures
207 were generated for cortical surface area and thickness. For DTI, measures of FA and MD
208 were generated over the whole brain. For full pipeline, see SI Section 3.

209

210 2.3. Multi-site MRI scanner effects

211 To adjust for non-biological variance introduced by multi-scanner MRI and
212 acquisition protocols (i.e., scanner effects), a longitudinal harmonisation technique was
213 carried out using the R package *LongComBat* (Beer et al., 2020). To reduce bias in scaling
214 and spatial resolution of features, our four global brain MRI measures (FA, MD, cortical
215 thickness, surface area) were harmonised separately. Since the harmonisation is applied to
216 model residuals, the longitudinal ComBat model should ideally match the model in the final
217 analysis. As such, each model was fitted with formulas including age, PDS, BMI, SES, and
218 genetic ancestry-derived ethnicity as covariates. SI Figures 2 and 3 show distribution of each
219 MRI measure before harmonisation and after longitudinal ComBat.

220

221 *2.4. Pubertal development assessment*

222 Pubertal status was measured using the PDS (Petersen et al., 1988) to examine the perceived
223 development of secondary sex characteristics such as growth spurts, body hair growth, skin
224 changes, breast development and menarche in females, and voice changes and growth of
225 testes in males. The PDS is a questionnaire designed to mimic the traditional Tanner staging
226 assessment without the use of reference pictures (Petersen et al., 1988). Due to previous
227 research showing that youth tend to over-report their perceived physical development at
228 younger ages (Schlossberger et al., 1992), the current study utilised caregiver PDS report.

229 The PDS includes five-items, each rated on a 4-point scale (1 = no development; 2 =
230 development has barely begun; 3 = development is definitely underway; and 4 = development
231 is complete; except menstruation, which is coded 1 = has not begun, 4 = has begun). Thus,
232 higher scores reflect more advanced pubertal development. The PDS has shown high inter-
233 rater reliability between parent and self-rated assessment to clinicians, and correlates highly
234 with plasma levels of gonadal hormones (Carskadon & Acebo, 1993; Koopman-Verhoeff et
235 al., 2020) in addition to the Tanner stages (Koopman-Verhoeff et al., 2020). We used total
236 PDS score for our analyses. When describing our results, PDS and the term *pubertal status* is
237 used interchangeably for cross-sectional analyses, while *pubertal development* is used for
238 longitudinal analyses. Note, both pubertal status and development refer to individual
239 differences in PDS scores while controlling for age.

240

241 *2.5. Covariates of interest*

242 Previous research has highlighted several factors that potentially contribute to pubertal timing
243 and development, including BMI, SES, and ethnicity (Ahmed et al., 2009; Braithwaite et al.,
244 2009; Deardorff et al., 2019; Freedman et al., 2002; Herting et al., 2021; Kaplowitz et al.,

245 2001). Therefore, we included BMI, SES, and genetic ancestry-derived ethnicity, in addition
246 to age, as covariates. For full details on how each covariate was measured and derived, see SI
247 Section 4. For figures relating to distribution, frequency, and associations between covariates,
248 see SI Figures 4-6.

249

250 2.6. Statistical analysis

251 The code used in the present study is available in a public repository - Open Science
252 Framework (OSF) - and accessible directly through the OSF webpage <https://osf.io/nh649/>.

253 All analyses were carried out using R version 4.0.0 (R Core Team, 2022). A
254 multigroup BLCS model was tested using the *lavaan* package (Rosseel, 2012) following
255 recommendations provided by Kievit et al. (2018) for model setup.

256 The rationale behind using BLCS models is rooted in its ability to model latent
257 change by using only two data collection waves (Kievit et al., 2018). Moreover, the
258 modelling framework is especially powerful for testing cross-domain couplings
259 which captures the extent to which change in one domain is a function of the starting level in
260 the other. Further motivation for using this model was our interest in sex-related effects.
261 Using a multi-group BLCS model allows one to assess four different brain-
262 puberty associations of interest for each sex in one model, and to test whether the size of
263 associations significantly differ across sex.

264 Four separate models were set up to examine 1) correlations at baseline between
265 pubertal status and MRI measures of global FA, MD, cortical thickness, and surface area; 2)
266 to what extent the baseline pubertal status predicted rate of change in global brain MRI
267 measures; 3) to what extent the baseline score of global brain MRI measure predicted rate of
268 change in the pubertal development; and lastly, 4) whether change co-occurred. To
269 investigate sex differences in the associations, we used multiple group analyses in the
270 framework of SEM, with sex (female, male) as the grouping variable.

271 We quantified to what extent change in pubertal status (ΔPDS) between baseline and
272 follow-up was a function of brain MRI measure (γ_2) and pubertal status (β_1) at baseline as
273 following:

$$274 \quad \Delta PDS = \beta_1 \cdot PDS + \gamma_2 \cdot MRI$$

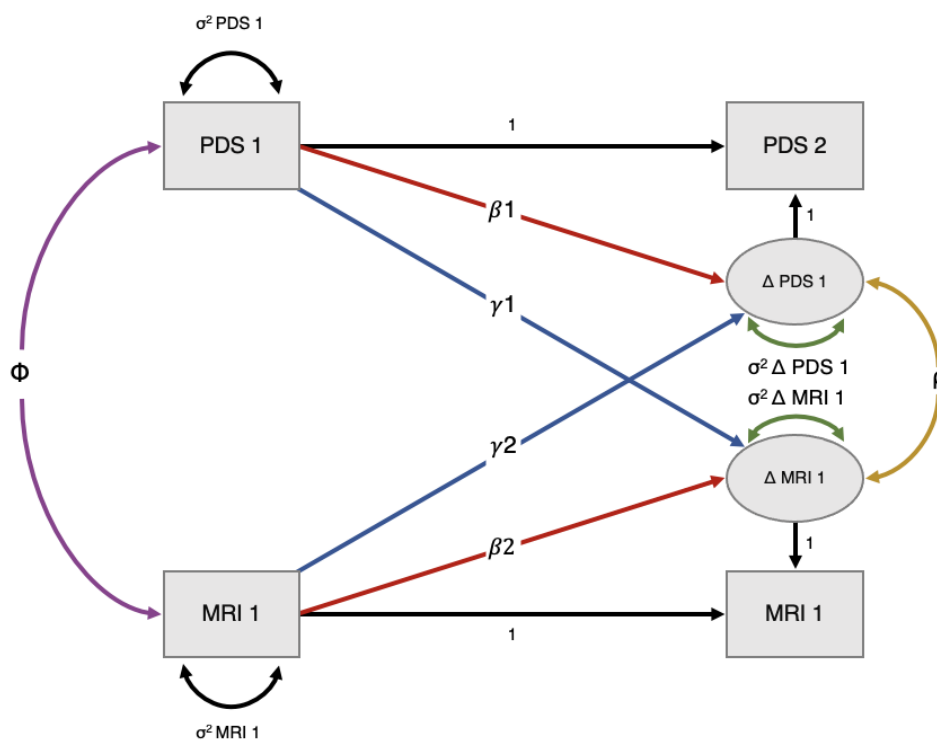
275 And to what extent change in brain MRI measure (MRI) between baseline and follow-up was
276 a function of pubertal status (γ_1) and brain MRI measure (β_2) at baseline as following:

$$277 \quad \Delta MRI = \beta_2 \cdot MRI + \gamma_1 \cdot PDS$$

278 For an illustrative description of this model, see Figure 2. Due to their relatedness to pubertal
 279 development, age, BMI, SES, and genetic ancestry-derived ethnicity were included in each
 280 model. Full information for maximum likelihood estimation procedures were used for all
 281 BLCS analyses, thereby providing missing data routines that are considered to be adequate
 282 (Enders, 2010).

283 Analyses to test sex differences were also carried out, where the model parameters
 284 above (1-4) were constrained to be equal across the two groups and tested by means of χ^2 -
 285 difference tests against their respective non-constrained (original) model for each of the four
 286 brain MRI metrics. To test sex differences for all associations for all four models, sixteen
 287 such tests were carried. The significance threshold was set at $p < 0.05$, and the results were
 288 corrected for multiple comparisons using the false discovery rate (FDR) adjustment
 289 (Benjamini & Hochberg, 1995). Both uncorrected (p) and corrected (p^{corr}) values are reported
 290 for these tests.

291



292

293 **Figure 2.** Bivariate latent change score (BLCS) model with two timepoints, examining correlation between
 294 pubertal status (PDS) and brain MRI metric (MRI) at baseline (pink), to what extent pubertal status at baseline
 295 predicts the rate of change in brain MRI metric (blue: 1), to what extent brain MRI metric at baseline predicts
 296 the rate of change in pubertal status (blue: 2), and whether changes in PDS and MRI co-occur (yellow) after
 297 considering the coupling (γ_1 , γ_2) pathways. Image adapted from Kievit et al. (2018) with permission
 298 from author.

299

300 **3. Results**

301 *3.1. Descriptive statistics*

302 Descriptive statistics can be found in Table 1. Figures for each brain MRI measure as a
 303 function of age are presented in SI Figure 7. Brain MRI trajectories as a function of PDS are
 304 presented in SI Figure 8.

305

306 *3.2. Multigroup bivariate latent change score (BLCS) models*

307 The main results of the models are summarised in Table 2. For the full models, including
 308 analyses testing for sex differences in the associations, see SI Section 5.

309

Table 2. Multigroup BLCS model for each brain MRI metric, where numbers 1-4 represent the following effects: (1) correlation at baseline, (2) regression (PDS at baseline related to change in MRI metric), (3) regression (MRI metric at baseline related to change in PDS), (4) correlation of change score.

	Effect	Female				Male			
		Est	SE	z	p	Est	SE	z	p
FA									
(1)	$PDS_{t1} \leftrightarrow FA_{t1} (\rho)$	-0.00	0.02	-0.27	0.79	0.00	0.01	0.14	0.89
(2)	$PDS_{t1} \rightarrow \Delta FA (\gamma_1)$	-0.00	0.02	-0.07	0.95	-0.00	0.03	-0.00	0.99
(3)	$FA_{t1} \rightarrow \Delta PDS (\gamma_2)$	-0.01	0.02	-0.83	0.41	0.01	0.01	0.50	0.62
(4)	$\Delta PDS \leftrightarrow \Delta FA (\rho)$	0.05	0.01	3.54	<0.01	0.03	0.01	2.36	0.02
MD									
(1)	$PDS_{t1} \leftrightarrow MD_{t1} (\rho)$	0.01	0.02	0.53	0.60	-0.00	0.01	-0.30	0.76
(2)	$PDS_{t1} \rightarrow \Delta MD (\gamma_1)$	-0.01	0.02	-0.27	0.79	-0.02	0.03	-0.77	0.44
(3)	$MD_{t1} \rightarrow \Delta PDS (\gamma_2)$	-0.01	0.02	-0.59	0.56	-0.01	0.01	-1.03	0.30
(4)	$\Delta PDS \leftrightarrow \Delta MD (\rho)$	-0.01	0.02	-0.59	0.56	-0.01	0.02	-0.55	0.58
CT									
(1)	$PDS_{t1} \leftrightarrow CT_{t1} (\rho)$	-0.01	0.02	-0.71	0.48	0.00	0.01	0.05	0.96
(2)	$PDS_{t1} \rightarrow \Delta CT (\gamma_1)$	-0.08	0.02	-4.56	<0.01	-0.00	0.02	-0.10	0.92
(3)	$CT_{t1} \rightarrow \Delta PDS (\gamma_2)$	0.01	0.02	0.62	0.53	-0.02	0.01	-1.40	0.16
(4)	$\Delta PDS \leftrightarrow \Delta CT (\rho)$	-0.03	0.01	-2.68	<0.01	-0.00	0.01	-0.07	0.94
SA									
(1)	$PDS_{t1} \leftrightarrow SA_{t1} (\rho)$	-0.00	0.01	-0.04	0.97	0.04	0.01	3.64	<0.01
(2)	$PDS_{t1} \rightarrow \Delta SA (\gamma_1)$	-0.07	0.01	-8.94	<0.01	-0.03	0.01	-3.60	<0.01
(3)	$Area_{t1} \rightarrow \Delta PDS (\gamma_2)$	0.01	0.02	0.31	0.75	-0.02	0.02	-1.25	0.21
(4)	$\Delta PDS \leftrightarrow \Delta SA (\rho)$	0.00	0.01	0.11	0.91	0.02	0.00	3.95	<0.01

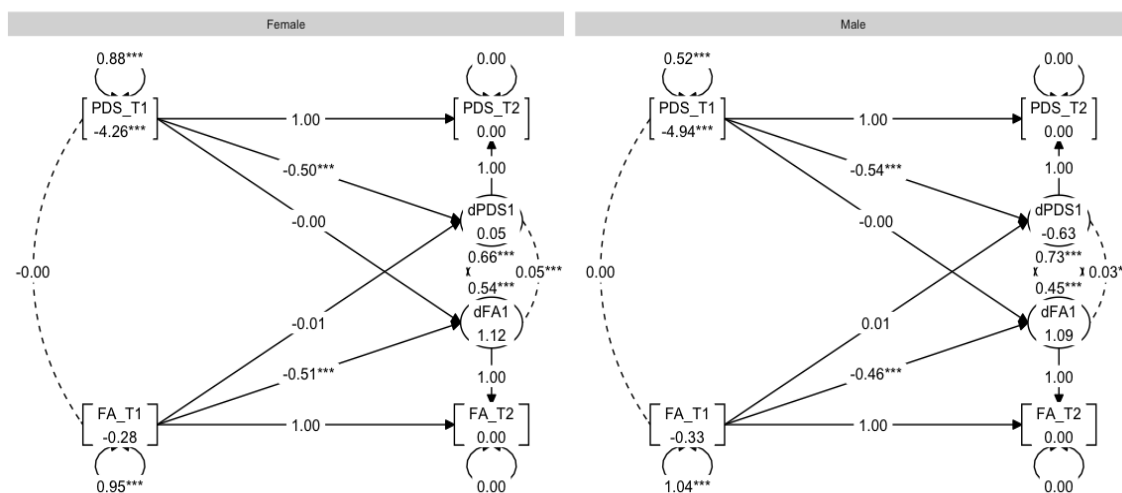
Note. Table showing results from the multigroup BLCS model of Pubertal Development Scale (PDS) and MRI measures of Fractional Anisotropy (FA), Mean Diffusivity (MD), Cortical Thickness (CT), and Surface Area (SA), with estimates (Est), standard error (SE), z-score (z) and p-values (p). For each effect, t_1 represents baseline score, ΔPDS or ΔMRI represents the delta score in PDS and MRI measure between baseline and follow-up, \leftrightarrow represent correlations, and \rightarrow represents regression coefficients. All reported effects are standardised. Bold fonts represent significant effects.

310

311 *3.3. Pubertal development and fractional anisotropy*

312 First, a BLCS for pubertal development and FA was modelled and the model fit was good: χ^2
 313 (28) = 272.45, CFI = 0.96, RMSEA = 0.04. Inspection of the four parameters of interest,
 314 reflecting the four possible puberty-brain relationships (outlined in Section 2.6), showed no
 315 statistically significant correlation between pubertal status and FA at baseline for males or
 316 females. The results did however show statistically significant associations of correlated
 317 change for both males ($r = 0.03, p = 0.02$) and females ($r = 0.05, p < 0.01$). In other words,
 318 those with greater increase in pubertal status were, on average, those with greater increase in
 319 FA. There were no coupling effects to report. Next, χ^2 -difference testing for sex differences
 320 were carried out. Here, no significant difference between males and females were found for
 321 any of the four puberty-brain relationships. For a graph representation of the results, see
 322 Figure 3.

323



324

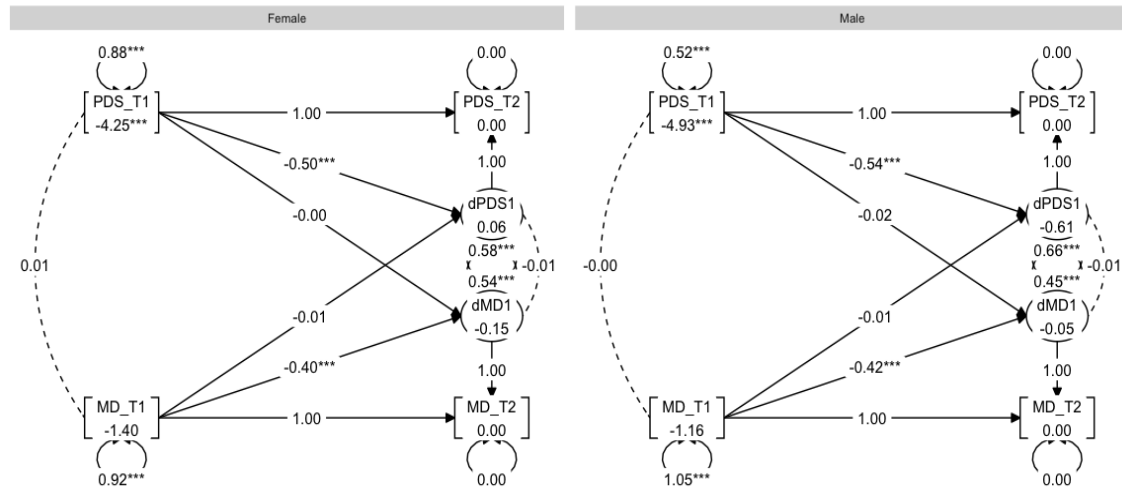
325 **Figure 3.** Graph showing the multigroup BLCS models for fractional anisotropy (FA) and PDS relations.

326

327 *3.4. Pubertal development and mean diffusivity*

328 Second, a BLCS for pubertal development and MD was modelled and the model fit was
 329 good: χ^2 (28) = 267.86, CFI = 0.96, RMSEA = 0.04. Inspection of the four parameters of
 330 interest revealed no statistically significant correlations or regression coefficients. χ^2 -
 331 difference tests revealed no significant difference between males and females for any of the
 332 four puberty-brain relationships. For a graph representation of the results, see Figure 4.

333



334

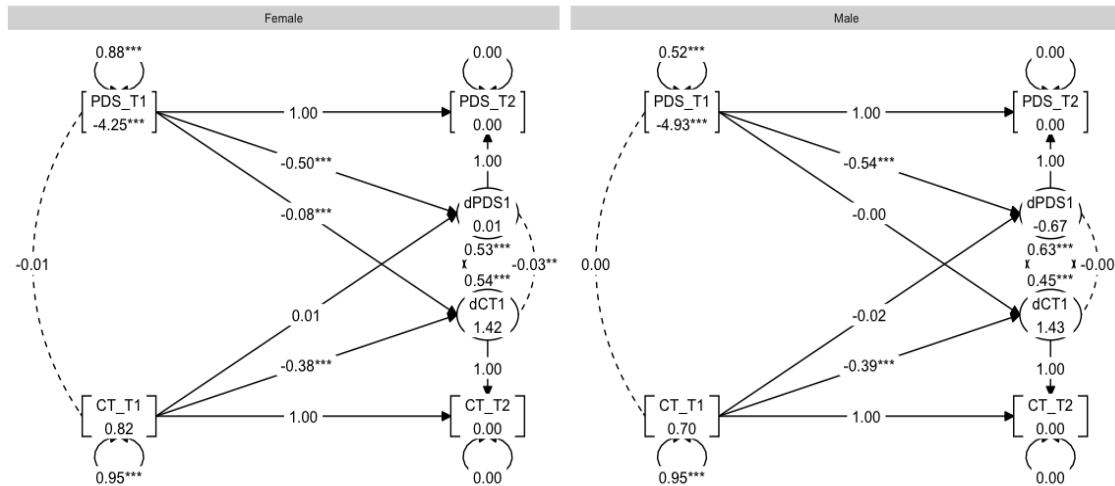
335 **Figure 4.** Graph showing the multigroup BLCS models for mean diffusivity (MD) and PDS relations.

336

337 *3.5. Pubertal development and cortical thickness*

338 Third, a BLCS for pubertal development and cortical thickness was modelled and the model
 339 fit was good: $\chi^2(28) = 274.47$, CFI = 0.96, RMSEA = 0.04. When examining the four
 340 parameters of interest, no statistically significant associations were observed between
 341 pubertal status and cortical thickness at baseline for males or females. The results did
 342 however reveal statistically significant correlated change for females ($r = -0.03$, $p < 0.01$),
 343 with no association present for males ($r = -0.00$, $p = 0.94$). In terms of coupling effects,
 344 pubertal status at baseline predicted rate of change in cortical thickness in females ($\beta = -0.08$,
 345 $p < 0.01$), while no associations were present in males. In other words, having initially higher
 346 PDS scores at baseline predicted larger increase between baseline and follow-up cortical
 347 thickness among females. χ^2 -difference tests revealed a significant difference between males
 348 and females ((df, 1) = [8.75], $p < 0.01$. $p^{corr} = 0.049$) when comparing model parameters of
 349 pubertal status at baseline predicting rate of change in cortical thickness. The three other
 350 relationships investigated revealed no significant sex differences after correction for multiple
 351 comparisons. A graph representation of the results can be seen in Figure 5.

352



353

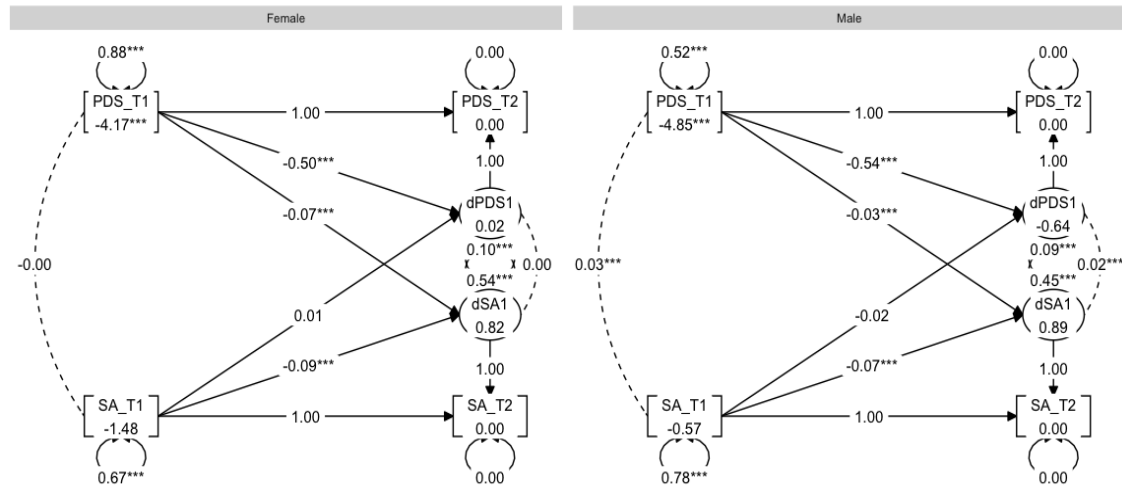
354 **Figure 5.** Graph showing the multigroup BLCS models for cortical thickness (CT) and PDS relations.

355

356 3.6. Pubertal development and surface area

357 Lastly, a BLCS for pubertal development and surface area was modelled and the model fit
 358 was good: $\chi^2(28) = 275.74$, CFI = 0.98, RMSEA = 0.04. Inspection of the four parameters of
 359 interest showed statistically significant (positive) associations for the correlation between
 360 pubertal status and surface area at baseline ($r = 0.04$, $p < 0.01$) and correlated change for
 361 males ($r = 0.02$, $p < 0.01$), with no significant associations among females for either
 362 correlated baseline ($r = -0.00$, $p = 0.97$) or change ($r = 0.00$, $p = 0.91$). Coupling effects
 363 indicated pubertal status at baseline as being predictive of rate of change in surface area for
 364 both males ($\beta = -0.03$, $p < 0.01$) and females ($\beta = -0.07$, $p < 0.01$). In other words, having
 365 initially higher PDS scores at baseline predicted larger decrease between baseline and follow-
 366 up surface area measures. χ^2 -difference tests found a statistically significant sex difference
 367 ((df, 1) = [12.26], $p < 0.01$, $p^{corr} < 0.01$) when comparing model parameters of pubertal status
 368 at baseline predicting rate of change in surface area, thereby showing that the association was
 369 significantly stronger for females than males. The three other relationships investigated
 370 revealed no significant group differences after correction for multiple comparisons. See
 371 Figure 6 for a graph representation of the results.

372



373

374 **Figure 6.** Graph showing the multigroup BLCS models for surface area (SA) and PDS relations.

375

376 4. Discussion

377 We investigated the coupling pathways of pubertal development and brain maturation in early
 378 adolescence using a multi-group BLCS framework in a large-scale longitudinal sample. Our
 379 main findings indicate that baseline pubertal status predicted the rate of change in cortical
 380 thickness for female youth only, and that pubertal status predicted rate of change in surface
 381 area for both sexes, but more strongly for females than males. Associations were also present
 382 for both correlation between pubertal status and surface area at baseline, and co-occurring
 383 changes over time, but these associations were present among male youth only. DTI analyses
 384 revealed correlated change over time between pubertal development and FA for both males
 385 and females, and no significant associations for MD. Overall, our results suggest sex-related
 386 differences in the associations between baseline pubertal status and rate of change in global
 387 cortical grey matter features of the brain.

388 Our study utilised a solid statistical framework to investigate the longitudinal
 389 coupling effects of pubertal development and structural brain maturation, providing valuable
 390 insight into the temporal dynamics of brain-and-puberty development. Previous research has
 391 reported sex-related associations between higher pubertal stage and global cortical grey
 392 matter (Herting et al., 2015), with studies generally reporting reduced cortical thickness in
 393 females (Bramen et al., 2011; Pfefferbaum et al., 2016) and no associations for males
 394 (Bramen et al., 2011; Koolschijn et al., 2014; Peper, Brouwer, et al., 2009). Our findings
 395 support previous findings and reveal additional knowledge into the coupling effects, with
 396 baseline pubertal status predicting rate of change in cortical thickness, as hypothesised.

397 For global surface area, baseline levels of pubertal status and surface area were
398 positively related in males, going against our hypothesis. However, male participants who
399 were more pubertally developed at baseline showed less increases in surface area compared
400 to male participants who were less pubertally developed at baseline. Interestingly, our
401 coupling effects provide evidence suggesting that pubertal status at baseline predicts rate of
402 change in surface area (for both males and females), with faster pubertal tempo associated
403 with greater decrease in surface area, supporting our hypothesis. Moreover, despite both
404 sexes showing effects, our findings revealed significantly stronger effects in females than
405 males.

406 For surface area, our findings can be best understood in the context of the age range in
407 this sample. While the directionality of the coupling effects go in the expected directions (i.e.,
408 more pubertally developed predicting surface area *decrease*), one unexpected finding is the
409 observation that males show the opposite trend for baseline levels of pubertal status and
410 surface area (i.e., positively related). Previous research has reported decreases in surface area
411 associated with more pubertally developed males (Herting et al., 2015). One possible
412 explanation for this could be that many of the males in the present sample are still
413 experiencing increase in surface area (see e.g., Raznahan et al. (2011) and SI Figure 7).
414 Additionally, as evidenced by Figure 1 and PDS descriptive statistics in Table 1, the majority
415 of the males in our sample are in the early stages of pubertal development compared to
416 females (mid-late stages), and do not progress a lot throughout the study period, with the
417 average PDS moving from 7.5 at baseline to 8.8 at follow-up. This is a major limitation of the
418 current study. ABCD Study data collection is ongoing and thus, the age range available at the
419 time of analysis is not representative of the entire pubertal period. While the current study is
420 an important first step in investigating the emergence of sex differences in pubertal and brain
421 development, longitudinal data spanning the entire range of puberty will be needed to
422 advance our understanding of sex-specific developmental patterns.

423 Previous research investigating associations between pubertal development and DTI
424 is sparse. The one existing longitudinal DTI study (Herting et al. 2017) reported that increase
425 in PDS was associated with increase in FA, which was supported in our study using a much
426 larger sample. However, while the prior study reported sex-related effects, our results did not
427 indicate differences between males and females. One potential explanation for this is that
428 Herting and colleagues looked at various regions of the brain while our study observed global
429 FA, meaning if a minority of regional effects (as observed in Herting et al. (2017)) were
430 going the other direction, they may not be evident in the overall effect of increasing FA in the

431 majority of other regions. No evidence of correlation at baseline or coupling effects were
432 observed in either FA or MD, and there were no significant sex differences, which goes
433 against our previously stated hypotheses.

434 Adolescence is a sensitive period that offers a window of opportunity to shape the fate
435 of the adult brain. Within that period, accelerated pubertal development has been identified as
436 a potential indicator of concern for the developing brain, with earlier pubertal timing being
437 linked to psychological outcomes such as depression, anxiety, and ADHD (Copeland et al.,
438 2019; Ge et al., 2006; Mendle et al., 2010; Mendle & Ferrero, 2012). Future research should
439 focus on increasing our understanding on the extent to intervention strategies targeting early
440 pubertal-timing-related risk factors reduce the risk of related psychopathology. Explicitly
441 investigating the brain-puberty relationship with sex differences in mind is also important for
442 future research when considering that risk of worse mental health outcomes for females and
443 males may differ, and this may have ramifications for related brain changes.

444 With research showing earlier pubertal timing in those facing barriers to positive
445 health and well-being, questions must be raised of how to tackle the challenges posed by
446 environmental factors and disparities in living conditions. Research has observed earlier
447 pubertal timing in concordance with higher child weight status, lower SES, and nutritional
448 needs not being met, and these have disproportionately impacted minority groups more.
449 Although speculative, environmental pressures may be central agents in advanced adaptation
450 to adult roles in the environment, termed ‘adulthood’ (Pfeifer & Allen, 2021), where
451 adolescents may be undergoing earlier onset and tempo of puberty, and related
452 neurodevelopmental changes, as a means to adapt to a harsh environment, subsequently
453 increasing their risk of psychopathology. More research is needed to elucidate the potential
454 role of environmental factors on advanced pubertal development and brain maturation.

455 The current study has several strengths and limitations that warrant further discussion.
456 Firstly, the ABCD Study cohort provides a well-powered sample that is openly available for
457 researchers, improving both transparency and encouraging initiatives testing the robustness of
458 the findings. Second, the longitudinal data and analyses allow for tracking changes over time,
459 albeit while still limited by only one follow-up assessment. Nevertheless, the current
460 multigroup BLCS analysis framework is well tailored to address hypotheses related to both
461 general and fine-grained temporal dynamics over time and is especially powerful for testing
462 cross-domain couplings (Kievit et al., 2018).

463 While global measures may capture broad effects, we know that pubertal development
464 is associated with regional changes in frontal, temporal and parietal areas (as well as

465 subcortical regions) which provides rationale for looking at these in future research. FA and
466 MD revealed fewer effects compared to grey matter morphology. Future research should
467 utilise advanced diffusion MRI metrics (Beck et al., 2021; Tamnes et al., 2018) that
468 differentiate between intra- and extra-axonal compartments and potentially provides more
469 information than conventional DTI. Lastly, future research would benefit from a combined
470 approach of assessing pubertal development by means of questionnaires *as well as* hormonal
471 data, given the limitations of PDS (Cheng et al., 2021).

472 Some general limitations pertaining to ABCD Study and other large-scale volunteer
473 scale databases include biases related to being more healthy, more wealthy, and more
474 educated compared to the general population in their respective countries (Brayne & Moffitt,
475 2022). This lack of representativeness may mean that those with most adversity and
476 disadvantage will not be represented in this research. Future research should consider more
477 diversified samples to reduce the healthy volunteer bias compromising the generalisability of
478 the findings to more vulnerable populations. On the other hand, the ABCD Study cohort does
479 include more ethnically diverse participants than similar large-scale volunteer databases
480 (Brayne & Moffitt, 2022). Due to participant ages at recruitment, the ABCD Study data does
481 not capture early gonadal processes for many participants (Cheng et al., 2021; Herting et al.,
482 2021), which is more pronounced for females and non-White participants. We also
483 acknowledge that the ABCD Study cohort shows some overlap in age and PDS between the
484 included timepoints in the study (see Figure 1), and thus caution must be taken in interpreting
485 results. Additionally, we recognise that variations in pubertal development in, for example,
486 early stages vs mid-late stages may differ in their associations to brain maturation, and such
487 possible non-linear associations were not examined in the current study. Future research
488 would benefit from analysing samples with multiple timepoints and an age-range spanning
489 the entire span of pubertal development and utilising longitudinal modelling that
490 accommodates potentially non-linear relationships between brain maturation and pubertal
491 development.

492 In conclusion, our analyses highlight pubertal status in early adolescence as being
493 predictive of longitudinal changes in cortical grey matter structure over time, and that these
494 changes are different for males and females. Further research is needed to understand how
495 puberty impacts the brain, the contribution of environmental and lifestyle factors on pubertal
496 development and brain maturation, and, in turn, the effects on mental health.

497

498 **5. Funding**

499 This work was supported by the Research Council of Norway (#223273, #288083, #323951,
500 #276082, #249795, #248238, #298646), and the South-Eastern Norway Regional Health
501 Authority (#2019069, #2021070, #500189, #2014097, #2015073, #2016083, #2018076), KG
502 Jebsen Stiftelsen, and the European Research Council under the European Union's Horizon
503 2020 Research and Innovation program (ERC StG, #802998 and RIA #847776).

504

505 **6. Acknowledgments**

506 Data used in the preparation of this article were obtained from the Adolescent Brain
507 Cognitive DevelopmentSM (ABCD) Study (<https://abcdstudy.org>), held in the NIMH Data
508 Archive (NDA). This is a multisite, longitudinal study designed to recruit more than 10,000
509 children aged 9-10 and follow them over 10 years into early adulthood. The ABCD Study® is
510 supported by the National Institutes of Health and additional federal partners under award
511 numbers U01DA041048, U01DA050989, U01DA051016, U01DA041022, U01DA051018,
512 U01DA051037, U01DA050987, U01DA041174, U01DA041106, U01DA041117,
513 U01DA041028, U01DA041134, U01DA050988, U01DA051039, U01DA041156,
514 U01DA041025, U01DA041120, U01DA051038, U01DA041148, U01DA041093,
515 U01DA041089, U24DA041123, U24DA041147. A full list of supporters is available at
516 <https://abcdstudy.org/federal-partners.html>. A listing of participating sites and a complete
517 listing of the study investigators can be found at https://abcdstudy.org/consortium_members/.
518 ABCD consortium investigators designed and implemented the study and/or provided data
519 but did not necessarily participate in the analysis or writing of this report. This manuscript
520 reflects the views of the authors and may not reflect the opinions or views of the NIH or
521 ABCD consortium investigators.

522

523 **7. References**

524 Ahmed, M. L., Ong, K. K., & Dunger, D. B. (2009). Childhood obesity and the timing of
525 puberty. *Trends in Endocrinology & Metabolism*, 20(5), 237–242.

526 <https://doi.org/10.1016/j.tem.2009.02.004>

527 Ando, A., Parzer, P., Kaess, M., Schell, S., Henze, R., Delorme, S., Stieltjes, B., Resch, F.,
528 Brunner, R., & Koenig, J. (2021). Calendar age and puberty-related development of
529 regional gray matter volume and white matter tracts during adolescence. *Brain*

- 530 *Structure and Function*, 226(3), 927–937. <https://doi.org/10.1007/s00429-020-02208->
531 1
- 532 Beck, D., de Lange, A.-M. G., Maximov, I. I., Richard, G., Andreassen, O. A., Nordvik, J. E.,
533 & Westlye, L. T. (2021). White matter microstructure across the adult lifespan: A
534 mixed longitudinal and cross-sectional study using advanced diffusion models and
535 brain-age prediction. *NeuroImage*, 224, 117441.
536 <https://doi.org/10.1016/j.neuroimage.2020.117441>
- 537 Beer, J. C., Tustison, N. J., Cook, P. A., Davatzikos, C., Sheline, Y. I., Shinohara, R. T., &
538 Linn, K. A. (2020). Longitudinal ComBat: A method for harmonizing longitudinal
539 multi-scanner imaging data. *NeuroImage*, 220, 117129.
540 <https://doi.org/10.1016/j.neuroimage.2020.117129>
- 541 Benjamini, Y., & Hochberg, Y. (1995). Controlling the False Discovery Rate: A Practical and
542 Powerful Approach to Multiple Testing. *Journal of the Royal Statistical Society:*
543 *Series B (Methodological)*, 57(1), 289–300. <https://doi.org/10.1111/j.2517->
544 6161.1995.tb02031.x
- 545 Blakemore, S.-J., Burnett, S., & Dahl, R. E. (2010). The role of puberty in the developing
546 adolescent brain. *Human Brain Mapping*, 31(6), 926–933.
547 <https://doi.org/10.1002/hbm.21052>
- 548 Braams, B. R., van Duijvenvoorde, A. C. K., Peper, J. S., & Crone, E. A. (2015).
549 Longitudinal changes in adolescent risk-taking: A comprehensive study of neural
550 responses to rewards, pubertal development, and risk-taking behavior. *The Journal of*
551 *Neuroscience: The Official Journal of the Society for Neuroscience*, 35(18), 7226–
552 7238. <https://doi.org/10.1523/JNEUROSCI.4764-14.2015>
- 553 Braithwaite, D., Moore, D. H., Lustig, R. H., Epel, E. S., Ong, K. K., Rehkopf, D. H., Wang,
554 M. C., Miller, S. M., & Hiatt, R. A. (2009). Socioeconomic status in relation to early

- 555 menarche among black and white girls. *Cancer Causes & Control*, 20(5), 713–720.
556 <https://doi.org/10.1007/s10552-008-9284-9>
- 557 Bramen, J. E., Hranilovich, J. A., Dahl, R. E., Forbes, E. E., Chen, J., Toga, A. W., Dinov, I.
558 D., Worthman, C. M., & Sowell, E. R. (2011). Puberty Influences Medial Temporal
559 Lobe and Cortical Gray Matter Maturation Differently in Boys Than Girls Matched
560 for Sexual Maturity. *Cerebral Cortex (New York, NY)*, 21(3), 636–646.
561 <https://doi.org/10.1093/cercor/bhq137>
- 562 Brayne, C., & Moffitt, T. E. (2022). The limitations of large-scale volunteer databases to
563 address inequalities and global challenges in health and aging. *Nature Aging*, 2(9),
564 Article 9. <https://doi.org/10.1038/s43587-022-00277-x>
- 565 Carskadon, M. A., & Acebo, C. (1993). A self-administered rating scale for pubertal
566 development. *Journal of Adolescent Health*, 14(3), 190–195.
567 [https://doi.org/10.1016/1054-139X\(93\)90004-9](https://doi.org/10.1016/1054-139X(93)90004-9)
- 568 Casey, B. J., Cannonier, T., Conley, M. I., Cohen, A. O., Barch, D. M., Heitzeg, M. M.,
569 Soules, M. E., Teslovich, T., Dellarco, D. V., Garavan, H., Orr, C. A., Wager, T. D.,
570 Banich, M. T., Speer, N. K., Sutherland, M. T., Riedel, M. C., Dick, A. S., Bjork, J.
571 M., Thomas, K. M., ... Dale, A. M. (2018). The Adolescent Brain Cognitive
572 Development (ABCD) study: Imaging acquisition across 21 sites. *Developmental*
573 *Cognitive Neuroscience*, 32, 43–54. <https://doi.org/10.1016/j.dcn.2018.03.001>
- 574 Chavarria, M. C., Sánchez, F. J., Chou, Y.-Y., Thompson, P. M., & Luders, E. (2014).
575 Puberty in the corpus callosum. *Neuroscience*, 265, 1–8.
576 <https://doi.org/10.1016/j.neuroscience.2014.01.030>
- 577 Cheng, T. W., Magis-Weinberg, L., Guazzelli Williamson, V., Ladouceur, C. D., Whittle, S.
578 L., Herting, M. M., Uban, K. A., Byrne, M. L., Barendse, M. E. A., Shirtcliff, E. A.,
579 & Pfeifer, J. H. (2021). A Researcher’s Guide to the Measurement and Modeling of

- 580 Puberty in the ABCD Study® at Baseline. *Frontiers in Endocrinology*, 12, 471.
581 <https://doi.org/10.3389/fendo.2021.608575>
- 582 Collado-Rodriguez, A., MacPherson, L., Kurdziel, G., Rosenberg, L. A., & Lejuez, C. W.
583 (2014). The Relationship between Puberty and Risk Taking in the Real World and in
584 the Laboratory. *Personality and Individual Differences*, 68, 143–148.
585 <https://doi.org/10.1016/j.paid.2014.04.019>
- 586 Copeland, W. E., Worthman, C., Shanahan, L., Costello, E. J., & Angold, A. (2019). Early
587 Pubertal Timing and Testosterone Associated With Higher Levels of Adolescent
588 Depression in Girls. *Journal of the American Academy of Child & Adolescent
589 Psychiatry*, 58(12), 1197–1206. <https://doi.org/10.1016/j.jaac.2019.02.007>
- 590 Dale, A. M., Fischl, B., & Sereno, M. I. (1999). *Cortical Surface-Based Analysis*. 16.
- 591 Deardorff, J., Hoyt, L. T., Carter, R., & Shirtcliff, E. A. (2019). Next Steps in Puberty
592 Research: Broadening the Lens Toward Understudied Populations. *Journal of
593 Research on Adolescence* □: *The Official Journal of the Society for Research on
594 Adolescence*, 29(1), 133–154. <https://doi.org/10.1111/jora.12402>
- 595 Enders, C. K. (2010). *Applied Missing Data Analysis*. Guilford Press.
- 596 Ferschmann, L., Bos, M. G. N., Herting, M. M., Mills, K. L., & Tamnes, C. K. (2022).
597 Contextualizing adolescent structural brain development: Environmental determinants
598 and mental health outcomes. *Current Opinion in Psychology*, 44, 170–176.
599 <https://doi.org/10.1016/j.copsyc.2021.09.014>
- 600 Fischl, B., Salat, D. H., Busa, E., Albert, M., Dieterich, M., Haselgrove, C., van der Kouwe,
601 A., Killiany, R., Kennedy, D., Klaveness, S., Montillo, A., Makris, N., Rosen, B., &
602 Dale, A. M. (2002). Whole Brain Segmentation. *Neuron*, 33(3), 341–355.
603 [https://doi.org/10.1016/S0896-6273\(02\)00569-X](https://doi.org/10.1016/S0896-6273(02)00569-X)

- 604 Freedman, D. S., Khan, L. K., Serdula, M. K., Dietz, W. H., Srinivasan, S. R., & Berenson,
605 G. S. (2002). Relation of Age at Menarche to Race, Time Period, and Anthropometric
606 Dimensions: The Bogalusa Heart Study. *Pediatrics*, *110*(4), e43.
607 <https://doi.org/10.1542/peds.110.4.e43>
- 608 Garavan, H., Bartsch, H., Conway, K., Decastro, A., Goldstein, R. Z., Heeringa, S., Jernigan,
609 T., Potter, A., Thompson, W., & Zahs, D. (2018). Recruiting the ABCD sample:
610 Design considerations and procedures. *Developmental Cognitive Neuroscience*, *32*,
611 16–22. <https://doi.org/10.1016/j.dcn.2018.04.004>
- 612 Ge, X., Brody, G. H., Conger, R. D., & Simons, R. L. (2006). Pubertal Maturation and
613 African American Children’s Internalizing and Externalizing Symptoms. *Journal of*
614 *Youth and Adolescence*, *35*(4), 528–537. <https://doi.org/10.1007/s10964-006-9046-5>
- 615 Grasby, K. L., Jahanshad, N., Painter, J. N., Colodro-Conde, L., Bralten, J., Hibar, D. P.,
616 Lind, P. A., Pizzagalli, F., Ching, C. R. K., McMahon, M. A. B., Shatokhina, N.,
617 Zsembik, L. C. P., Thomopoulos, S. I., Zhu, A. H., Strike, L. T., Agartz, I., Alhusaini,
618 S., Almeida, M. A. A., Alnæs, D., ... Enhancing NeuroImaging Genetics through
619 Meta-Analysis Consortium (ENIGMA)—Genetics working group. (2020). The
620 genetic architecture of the human cerebral cortex. *Science (New York, N.Y.)*,
621 *367*(6484), eaay6690. <https://doi.org/10.1126/science.aay6690>
- 622 Hagler, D. J., Hatton, Sean N., Cornejo, M. D., Makowski, C., Fair, D. A., Dick, A. S.,
623 Sutherland, M. T., Casey, B. J., Barch, D. M., Harms, M. P., Watts, R., Bjork, J. M.,
624 Garavan, H. P., Hilmer, L., Pung, C. J., Sicat, C. S., Kuperman, J., Bartsch, H., Xue,
625 F., ... Dale, A. M. (2019). Image processing and analysis methods for the Adolescent
626 Brain Cognitive Development Study. *NeuroImage*, *202*, 116091.
627 <https://doi.org/10.1016/j.neuroimage.2019.116091>

- 628 Hagler Jr., D. J., Ahmadi, M. E., Kuperman, J., Holland, D., McDonald, C. R., Halgren, E., &
629 Dale, A. M. (2009). Automated white-matter tractography using a probabilistic
630 diffusion tensor atlas: Application to temporal lobe epilepsy. *Human Brain Mapping*,
631 *30*(5), 1535–1547. <https://doi.org/10.1002/hbm.20619>
- 632 Herting, M. M., Gautam, P., Spielberg, J. M., Dahl, R. E., & Sowell, E. R. (2015). A
633 longitudinal study: Changes in cortical thickness and surface area during pubertal
634 maturation. *PloS One*, *10*(3), e0119774. <https://doi.org/10.1371/journal.pone.0119774>
- 635 Herting, M. M., Kim, R., Uban, K. A., Kan, E., Binley, A., & Sowell, E. R. (2017).
636 Longitudinal changes in pubertal maturation and white matter microstructure.
637 *Psychoneuroendocrinology*, *81*, 70–79.
638 <https://doi.org/10.1016/j.psyneuen.2017.03.017>
- 639 Herting, M. M., Maxwell, E. C., Irvine, C., & Nagel, B. J. (2012). The Impact of Sex,
640 Puberty, and Hormones on White Matter Microstructure in Adolescents. *Cerebral*
641 *Cortex (New York, NY)*, *22*(9), 1979–1992. <https://doi.org/10.1093/cercor/bhr246>
- 642 Herting, M. M., & Sowell, E. R. (2017). Puberty and structural brain development in humans.
643 *Frontiers in Neuroendocrinology*, *44*, 122–137.
644 <https://doi.org/10.1016/j.yfrne.2016.12.003>
- 645 Herting, M. M., Uban, K. A., Gonzalez, M. R., Baker, F. C., Kan, E. C., Thompson, W. K.,
646 Granger, D. A., Albaugh, M. D., Anokhin, A. P., Bagot, K. S., Banich, M. T., Barch,
647 D. M., Baskin-Sommers, A., Breslin, F. J., Casey, B. J., Chaarani, B., Chang, L.,
648 Clark, D. B., Cloak, C. C., ... Sowell, E. R. (2021). Correspondence Between
649 Perceived Pubertal Development and Hormone Levels in 9-10 Year-Olds From the
650 Adolescent Brain Cognitive Development Study. *Frontiers in Endocrinology*, *11*,
651 549928. <https://doi.org/10.3389/fendo.2020.549928>

- 652 Holm, M. C., Leonardsen, E. H., Beck, D., Dahl, A., Kjelkenes, R., de Lange, A.-M. G., &
653 Westlye, L. T. (2022). *Linking brain maturation and puberty during early*
654 *adolescence using longitudinal brain age prediction in the ABCD cohort* [Preprint].
655 Psychiatry and Clinical Psychology. <https://doi.org/10.1101/2022.05.16.22275146>
- 656 Kaplowitz, P. B., Slora, E. J., Wasserman, R. C., Pedlow, S. E., & Herman-Giddens, M. E.
657 (2001). Earlier onset of puberty in girls: Relation to increased body mass index and
658 race. *Pediatrics*, *108*(2), 347–353. <https://doi.org/10.1542/peds.108.2.347>
- 659 Karcher, N. R., Barch, D. M., Avenevoli, S., Savill, M., Huber, R. S., Simon, T. J., Leckliter,
660 I. N., Sher, K. J., & Loewy, R. L. (2018). Assessment of the Prodromal
661 Questionnaire–Brief Child Version for Measurement of Self-reported Psychoticlike
662 Experiences in Childhood. *JAMA Psychiatry*, *75*(8), 853–861.
663 <https://doi.org/10.1001/jamapsychiatry.2018.1334>
- 664 Kievit, R. A., Brandmaier, A. M., Ziegler, G., van Harmelen, A.-L., de Mooij, S. M. M.,
665 Moutoussis, M., Goodyer, I. M., Bullmore, E., Jones, P. B., Fonagy, P., Lindenberger,
666 U., & Dolan, R. J. (2018). Developmental cognitive neuroscience using latent change
667 score models: A tutorial and applications. *Developmental Cognitive Neuroscience*, *33*,
668 99–117. <https://doi.org/10.1016/j.dcn.2017.11.007>
- 669 Koolschijn, P. C. M. P., Peper, J. S., & Crone, E. A. (2014). The Influence of Sex Steroids on
670 Structural Brain Maturation in Adolescence. *PLOS ONE*, *9*(1), e83929.
671 <https://doi.org/10.1371/journal.pone.0083929>
- 672 Koopman-Verhoeff, M. E., Gredvig-Ardito, C., Barker, D. H., Saletin, J. M., & Carskadon,
673 M. A. (2020). Classifying Pubertal Development Using Child and Parent Report:
674 Comparing the Pubertal Development Scales to Tanner Staging. *Journal of*
675 *Adolescent Health*, *66*(5), 597–602. <https://doi.org/10.1016/j.jadohealth.2019.11.308>

- 676 Lebel, C., & Deoni, S. (2018). The development of brain white matter microstructure.
677 *NeuroImage*, *182*, 207–218. <https://doi.org/10.1016/j.neuroimage.2017.12.097>
- 678 MacSweeney, N., Allardyce, J., Edmondson-Stait, A., Shen, X., Casey, H., Chan, S. W. Y.,
679 Cullen, B., Reynolds, R. M., Frangou, S., Kwong, A. S. F., Lawrie, S. M., Romaniuk,
680 L., & Whalley, H. C. (2023). The role of brain structure in the association between
681 pubertal timing and depression risk in an early adolescent sample (the ABCD
682 Study®): A registered report. *Developmental Cognitive Neuroscience*, *60*, 101223.
683 <https://doi.org/10.1016/j.dcn.2023.101223>
- 684 Marceau, K., Kirisci, L., & Tarter, R. E. (2019). Correspondence of Pubertal Neuroendocrine
685 and Tanner Stage Changes in Boys and Associations With Substance Use. *Child
686 Development*, *90*(6), e763–e782. <https://doi.org/10.1111/cdev.13101>
- 687 McNeilly, E. A., Saragosa-Harris, N. M., Mills, K. L., Dahl, R. E., & Magis-Weinberg, L.
688 (2022). Reward sensitivity and internalizing symptoms during the transition to
689 puberty: An examination of 9-and 10-year-olds in the ABCD Study. *Developmental
690 Cognitive Neuroscience*, *58*, 101172. <https://doi.org/10.1016/j.dcn.2022.101172>
- 691 Mendle, J., & Ferrero, J. (2012). Detrimental psychological outcomes associated with
692 pubertal timing in adolescent boys. *Developmental Review*, *32*(1), 49–66.
693 <https://doi.org/10.1016/j.dr.2011.11.001>
- 694 Mendle, J., Harden, K. P., Brooks-Gunn, J., & Graber, J. A. (2010). Development's tortoise
695 and hare: Pubertal timing, pubertal tempo, and depressive symptoms in boys and girls.
696 *Developmental Psychology*, *46*(5), 1341–1353. <https://doi.org/10.1037/a0020205>
- 697 Menzies, L., Goddings, A.-L., Whitaker, K. J., Blakemore, S.-J., & Viner, R. M. (2014). The
698 effects of puberty on white matter development in boys. *Developmental Cognitive
699 Neuroscience*, *11*, 116–128. <https://doi.org/10.1016/j.dcn.2014.10.002>

- 700 Mills, K. L., Goddings, A.-L., Herting, M. M., Meuwese, R., Blakemore, S.-J., Crone, E. A.,
701 Dahl, R. E., Güroğlu, B., Raznahan, A., Sowell, E. R., & Tamnes, C. K. (2016).
702 Structural brain development between childhood and adulthood: Convergence across
703 four longitudinal samples. *NeuroImage*, *141*, 273–281.
704 <https://doi.org/10.1016/j.neuroimage.2016.07.044>
- 705 Nguyen, T.-V., McCracken, J., Ducharme, S., Botteron, K. N., Mahabir, M., Johnson, W.,
706 Israel, M., Evans, A. C., Karama, S., & for the Brain Development Cooperative
707 Group. (2013). Testosterone-Related Cortical Maturation Across Childhood and
708 Adolescence. *Cerebral Cortex*, *23*(6), 1424–1432.
709 <https://doi.org/10.1093/cercor/bhs125>
- 710 Patton, G. C., McMorris, B. J., Toumbourou, J. W., Hemphill, S. A., Donath, S., & Catalano,
711 R. F. (2004). Puberty and the Onset of Substance Use and Abuse. *Pediatrics*, *114*(3),
712 e300–e306. <https://doi.org/10.1542/peds.2003-0626-F>
- 713 Paus, T., Nawaz-Khan, I., Leonard, G., Perron, M., Pike, G. B., Pitiot, A., Richer, L.,
714 Susman, E., Veillette, S., & Pausova, Z. (2010). Sexual dimorphism in the adolescent
715 brain: Role of testosterone and androgen receptor in global and local volumes of grey
716 and white matter. *Hormones and Behavior*, *57*(1), 63–75.
717 <https://doi.org/10.1016/j.yhbeh.2009.08.004>
- 718 Peper, J. S., Brouwer, R. M., Schnack, H. G., van Baal, G. C., van Leeuwen, M., van den
719 Berg, S. M., Delemarre-Van de Waal, H. A., Boomsma, D. I., Kahn, R. S., &
720 Hulshoff Pol, H. E. (2009). Sex steroids and brain structure in pubertal boys and girls.
721 *Psychoneuroendocrinology*, *34*(3), 332–342.
722 <https://doi.org/10.1016/j.psyneuen.2008.09.012>
- 723 Peper, J. S., Schnack, H. G., Brouwer, R. M., Van Baal, G. C. M., Pjetri, E., Székely, E., van
724 Leeuwen, M., van den Berg, S. M., Collins, D. L., Evans, A. C., Boomsma, D. I.,

- 725 Kahn, R. S., & Hulshoff Pol, H. E. (2009). Heritability of regional and global brain
726 structure at the onset of puberty: A magnetic resonance imaging study in 9-year-old
727 twin pairs. *Human Brain Mapping*, 30(7), 2184–2196.
728 <https://doi.org/10.1002/hbm.20660>
- 729 Perrin, J. S., Hervé, P.-Y., Leonard, G., Perron, M., Pike, G. B., Pitiot, A., Richer, L.,
730 Veillette, S., Pausova, Z., & Paus, T. (2008). Growth of White Matter in the
731 Adolescent Brain: Role of Testosterone and Androgen Receptor. *The Journal of*
732 *Neuroscience*, 28(38), 9519–9524. [https://doi.org/10.1523/JNEUROSCI.1212-](https://doi.org/10.1523/JNEUROSCI.1212-08.2008)
733 08.2008
- 734 Perrin, J. S., Leonard, G., Perron, M., Pike, G. B., Pitiot, A., Richer, L., Veillette, S.,
735 Pausova, Z., & Paus, T. (2009). Sex differences in the growth of white matter during
736 adolescence. *NeuroImage*, 45(4), 1055–1066.
737 <https://doi.org/10.1016/j.neuroimage.2009.01.023>
- 738 Petersen, A. C., Crockett, L., Richards, M., & Boxer, A. (1988). A self-report measure of
739 pubertal status: Reliability, validity, and initial norms. *Journal of Youth and*
740 *Adolescence*, 17(2), 117–133. <https://doi.org/10.1007/BF01537962>
- 741 Pfefferbaum, A., Rohlfing, T., Pohl, K. M., Lane, B., Chu, W., Kwon, D., Nolan Nichols, B.,
742 Brown, S. A., Tapert, S. F., Cummins, K., Thompson, W. K., Brumback, T., Meloy,
743 M. J., Jernigan, T. L., Dale, A., Colrain, I. M., Baker, F. C., Prouty, D., De Bellis, M.
744 D., ... Sullivan, E. V. (2016). Adolescent Development of Cortical and White Matter
745 Structure in the NCANDA Sample: Role of Sex, Ethnicity, Puberty, and Alcohol
746 Drinking. *Cerebral Cortex (New York, NY)*, 26(10), 4101–4121.
747 <https://doi.org/10.1093/cercor/bhv205>

- 748 Pfeifer, J. H., & Allen, N. B. (2021). Puberty initiates cascading relationships between
749 neurodevelopmental, social, and internalizing processes across adolescence.
750 *Biological Psychiatry*, 89(2), 99–108. <https://doi.org/10.1016/j.biopsych.2020.09.002>
- 751 R Core Team. (2022). *R: A Language and Environment for Statistical Computing*. R
752 Foundation for Statistical Computing. <https://www.R-project.org/>
- 753 Raznahan, A., Shaw, P., Lalonde, F., Stockman, M., Wallace, G. L., Greenstein, D., Clasen,
754 L., Gogtay, N., & Giedd, J. N. (2011). How Does Your Cortex Grow? *The Journal of*
755 *Neuroscience*, 31(19), 7174–7177. [https://doi.org/10.1523/JNEUROSCI.0054-](https://doi.org/10.1523/JNEUROSCI.0054-11.2011)
756 11.2011
- 757 Rosseel, Y. (2012). lavaan: An R Package for Structural Equation Modeling. *Journal of*
758 *Statistical Software*, 48(2), 1–36. <https://doi.org/10.18637/jss.v048.i02>
- 759 Savin-Williams, R. C., & Ream, G. L. (2006). Pubertal Onset and Sexual Orientation in an
760 Adolescent National Probability Sample. *Archives of Sexual Behavior*, 35(3), 279.
761 <https://doi.org/10.1007/s10508-006-9032-8>
- 762 Schlossberger, N. M., Turner, R. A., & Irwin, C. E. (1992). Validity of self-report of pubertal
763 maturation in early adolescents. *Journal of Adolescent Health*, 13(2), 109–113.
764 [https://doi.org/10.1016/1054-139X\(92\)90075-M](https://doi.org/10.1016/1054-139X(92)90075-M)
- 765 Stroud, C. B., & Davila, J. (2011). Pubertal Timing. In R. J. R. Levesque (Ed.), *Encyclopedia*
766 *of Adolescence* (pp. 2252–2258). Springer. [https://doi.org/10.1007/978-1-4419-1695-](https://doi.org/10.1007/978-1-4419-1695-2_14)
767 2_14
- 768 Stumper, A., Olino, T. M., Abramson, L. Y., & Alloy, L. B. (2019). Pubertal Timing and
769 Substance Use in Adolescence: An Investigation of Two Cognitive Moderators.
770 *Journal of Abnormal Child Psychology*, 47(9), 1509–1520.
771 <https://doi.org/10.1007/s10802-019-00524-7>

- 772 Tamnes, C. K., Herting, M. M., Goddings, A.-L., Meuwese, R., Blakemore, S.-J., Dahl, R. E.,
773 Güroğlu, B., Raznahan, A., Sowell, E. R., Crone, E. A., & Mills, K. L. (2017).
774 Development of the Cerebral Cortex across Adolescence: A Multisample Study of
775 Inter-Related Longitudinal Changes in Cortical Volume, Surface Area, and Thickness.
776 *The Journal of Neuroscience: The Official Journal of the Society for Neuroscience*,
777 37(12), 3402–3412. <https://doi.org/10.1523/JNEUROSCI.3302-16.2017>
- 778 Tamnes, C. K., Roalf, D. R., Goddings, A.-L., & Lebel, C. (2018). Diffusion MRI of white
779 matter microstructure development in childhood and adolescence: Methods,
780 challenges and progress. *Developmental Cognitive Neuroscience*, 33, 161–175.
781 <https://doi.org/10.1016/j.dcn.2017.12.002>
- 782 Tooley, U. A., Bassett, D. S., & Mackey, A. P. (2021). Environmental influences on the pace
783 of brain development. *Nature Reviews Neuroscience*, 22(6), Article 6.
784 <https://doi.org/10.1038/s41583-021-00457-5>
- 785 Ullsperger, J. M., & Nikolas, M. A. (2017). A meta-analytic review of the association
786 between pubertal timing and psychopathology in adolescence: Are there sex
787 differences in risk? *Psychological Bulletin*, 143(9), 903–938.
788 <https://doi.org/10.1037/bul0000106>
- 789 Vijayakumar, N., Youssef, G. J., Allen, N. B., Anderson, V., Efron, D., Hazell, P., Mundy,
790 L., Nicholson, J. M., Patton, G., Seal, M. L., Simmons, J. G., Whittle, S., & Silk, T.
791 (2021). A longitudinal analysis of puberty-related cortical development.
792 *NeuroImage*, 228, 117684. <https://doi.org/10.1016/j.neuroimage.2020.117684>
- 793 Wierenga, L. M., Bos, M. G. N., Schreuders, E., vd Kamp, F., Peper, J. S., Tamnes, C. K., &
794 Crone, E. A. (2018). Unraveling age, puberty and testosterone effects on subcortical
795 brain development across adolescence. *Psychoneuroendocrinology*, 91, 105–114.
796 <https://doi.org/10.1016/j.psyneuen.2018.02.034>

