

1 Detection of maternal transmission of resistant Gram-negative 2 bacteria in a Cambodian hospital setting

3 Chalita Chomkatekaew¹, Janjira Thaipadungpanit^{1,2}, Pasco Hearn³, Sona Soeng³, Sreymom
4 Pol³, Leakhena Neou⁴, Jill Hopkins^{2,3}, Paul Turner^{2,3}, Elizabeth M. Batty^{1,2}

5
6 1. Mahidol-Oxford Tropical Medicine Research Unit, Faculty of Tropical Medicine, Mahidol
7 University, Bangkok, Thailand

8 2. Centre for Tropical Medicine and Global Health, Nuffield Department of Medicine, University
9 of Oxford, Oxford, UK

10 3. Cambodia-Oxford Medical Research Unit, Angkor Hospital for Children, Siem Reap,
11 Cambodia

12 4. Neonatal Unit, Angkor Hospital for Children, Siem Reap, Cambodia

13

14 Corresponding author: Elizabeth M. Batty, elizabeth.b@tropmedres.ac

15 Abstract

16 Infection with Extended-spectrum beta-lactamase -producing *Enterobacterales* (ESBL-E) is
17 common in infants leading to increased intensive care unit admission and mortality, but the role
18 of maternal transmission in colonisation of infants is unclear. Using paired isolates from 50 pairs
19 of mothers and neonates admitted to a Cambodian hospital, we investigated antimicrobial
20 resistance in *Escherichia coli* and *Klebsiella pneumoniae* using whole genome sequencing. We
21 detected a wide variety of ESBL-E genes present in this population along with high levels of
22 multidrug resistance. From 21 pairs where the same organism was present in both mother and
23 neonate, we identified eight pairs with identical or near-identical isolates from both individuals
24 suggestive of transmission at or around birth, including a pair with transmission of multiple
25 strains. We found no evidence for transmission of plasmids only from mother to infant. This
26 suggests vertical transmission outside hospitals as a common cause of ESBL-E colonisation in
27 neonates.

28 Introduction

29 Antimicrobial resistance (AMR) is a major global health problem, and multiple studies have
30 shown high rates of AMR in low and middle-income countries in Southeast Asia compared to
31 other regions [1–3]. AMR is a particular problem in neonates, where infection with Extended-
32 spectrum beta-lactamase -producing *Enterobacterales* (ESBL-E) are common and associated
33 with admission to ICU and death [4–6]. ESBL-E infections have become one of the main
34 challenges for antibiotic treatment leading to the increase in mortality, healthcare cost and
35 threatening the effectiveness of first line sepsis treatments in low resource countries such as
36 Cambodia. Rates of ESBL-E in Cambodia have been shown to rise between 2012 and 2015.
37 However, multidrug resistance infection cases in Cambodia may be under-reported compared to

38 neighboring countries due to lack of infrastructure [7], and AMR data in Cambodia is improving
39 but currently limited [1].

40 Cambodia shows a high prevalence of ESBL-E colonisation in the early neonatal period [8]
41 suggestive of mother-to-child transmission at or shortly after delivery. A high number of infants
42 are likely to already be colonised prior to hospital admission, and community acquisition may be
43 important in the neonatal population [9]. Maternal transmission has been implicated in ESBL-E
44 acquisition by neonates by looking at prevalence [10], or by using matched antimicrobial
45 resistance phenotypes [11], pulsed-field gel electrophoresis [12], repetitive element PCR typing
46 [13] to compare strains between mother and infant. Most recently, the BARNARDS study
47 identified identical isolates between mother and infant in *E. coli* using whole-genome
48 sequencing, suggesting mother-to-child transmission in a large south Asian and African dataset
49 [14].

50 Whole-genome sequencing (WGS) of clinical isolates has emerged as an invaluable tool with
51 many applications in clinical microbiology including tracking outbreaks, monitoring trends in
52 infections and investigating pathogen transmission routes [15]. Several studies have shown that
53 high-resolution data from WGS is a proven tool to track the possible transmission of *Klebsiella*
54 *pneumoniae* circulating both in the intensive care unit [16] and in an outbreak via plasmid
55 transmission [17]. However, most current datasets are short-read data, and the assembly of
56 short-reads datasets usually results in multiple contigs and ambiguous alignments instead of a
57 complete genome [18]. To overcome this challenge, Oxford Nanopore MinION platform can
58 produce long reads enabling improved quality genome assembly including complete assembly
59 of plasmids [19].

60 We used whole-genome sequencing to obtain ESBL-E genomes from pairs of mothers and
61 neonates admitted to Angkor Hospital for Children, Siem Reap, Cambodia. Using complete
62 genomes generated using short- and long-read sequencing, we identified patterns of
63 antimicrobial resistance and investigated potential transmission events between mothers and
64 neonates to better understand the importance of maternal transmission versus community
65 acquisition in early colonisation of neonates.
66

67 Methods

68 Study location

69 Angkor Hospital for Children is a non-governmental paediatric referral hospital with a dedicated
70 neonatal intensive care unit (NICU) and special care baby unit (SCBU). The hospital has no
71 maternity unit, thus all neonatal admissions are outborn. Over a one year period all infants aged
72 ≤ 28 days were eligible for study enrolment on admission to the NICU or SCBU, excluding those
73 who had any previous healthcare service exposure following delivery (e.g. overnight admission
74 to a hospital / health centre or transfer from another AHC ward).
75

76 Sample collection, isolation, and phenotyping

77 A rectal swab was taken from the infant within 24 hours of admission to the neonatal unit (at a
78 median of 11 days of age [range 0 – 30]), and a maternal stool sample was collected as soon as
79 possible after infant admission. Samples were cultured onsite on selective chromogenic ESBL
80 detection agar (CHROMagar ESBL medium; CHROMagar, France) and all morphotypes
81 followed up for analysis. Species identification was confirmed by standard biochemical tests and
82 antimicrobial susceptibilities were determined by disk diffusion, following CLSI methodology and
83 using 2017 breakpoints [20]. Double disk diffusion tests were done to confirm ESBL production
84 (cefotaxime and ceftazidime with/without clavulanate; BBL, Becton Dickinson, USA).

85
86

87 **Bacterial growth and DNA extraction**

88 96 isolates of *E. coli* and *K. pneumoniae* were cultured from frozen stocks (-80°C) and grown in
89 LB broth at 37°C for 3 hours. 900 µl of bacterial culture was spun down at 21,200 rcf for 5
90 minutes before the supernatant was removed. The bacterial cells were lysed with 600 µl of
91 Nucleic lysis solution (Promega, USA) at 80°C for 10 minutes. The cell lysate was then
92 transferred to a new tube containing 250 µl of glass beads with 5 µl of RNase A solution
93 (Qiagen, Germany) and the cells were further lysed by vortexing for 10 minutes. The cell lysate
94 was incubated at 37°C for 30 minutes to remove the RNA. The mixture was purified using
95 magnetic beads (Agencourt AMPure XP beads, Beckman Coulter, USA) with a 1:4 volume ratio
96 of lysate mixture and magnetic beads. The extracted DNA was redissolved in distilled sterilised
97 water and then stored in the freezer (-20°C) prior to library preparation for sequencing.

98

99 **Sequencing**

100 Sequencing libraries were prepared from extracted DNA using Nextera Flex library preparation
101 kits and sequenced on an Illumina MiSeq with 300bp paired-end reads.

102 36 isolates were selected for long-read sequencing. The Rapid Barcoding Kit (Nanopore, UK)
103 was used to prepare DNA libraries according to the Nanopore protocol with 12 barcoded
104 samples per flow cell. The prepared libraries were pooled and purified using an additional step
105 with magnetic beads (Agencourt AMPure XP beads, Beckman Coulter, USA) using a 1:1
106 volume ratio of pooled libraries and the magnetic beads. The purified libraries were then
107 sequenced on a MinION R9.4 flow cell according to the Nanopore protocol. The sequences
108 were deposited in the European Nucleotide Archive (ENA) at EMBL-EBI under project
109 accession number PRJEB37551 <https://www.ebi.ac.uk/ena/browser/view/PRJEB37551>.

110

111

112 **Bioinformatic analysis**

113 Raw sequence data was processed using the Bactopia pipeline 1.4 [21]. Reads were mapped
114 against *E. coli* K-12 substrain MG1655 reference sequence for all *Escherichia* isolates (
115 https://www.ncbi.nlm.nih.gov/assembly/GCF_000005845.2/) and *K. pneumoniae* HS11286 (
116 https://www.ncbi.nlm.nih.gov/assembly/GCF_000240185.1/) for all *Klebsiella* isolates, and the
117 genome assemblies were also used as references for confirmation of transmission. Mashtree
118 1.1.2 [22] was used to generate phylogenetic trees from all samples and visualised using ggtree
119 3.1.2 [23]. Ska 1.0 [24] was used to perform split k-mer analysis using the default cutoffs (95%

120 kmer identity and <20 SNPs to call transmission clusters). Snippy 4.6.0 [25] was used to
121 produce variant calls, and snippy-core was used to mask repetitive regions and produce a core
122 SNP alignment. SNP distances between samples were called with snp-dists 0.6.3 [26]. MLST
123 was determined using mlst 2.19.0 [27] and the PubMLST database [28]. Genome assemblies
124 were performed using Unicycler 0.4.8 [29]. *Escherichia* species and phylogroups were
125 determined using ClermonTyping [30]. *Klebsiella* phylogroups and virulence genes were
126 obtained through Kleborate [31]. Antimicrobial resistance genes and mutations were determined
127 using NCBI AMRFinder+ 3.8.4 [32] and upset plots were visualized using ComplexUpset. Platon
128 1.5.0 [33] was used to identify contigs originating from plasmids and the mobilization proteins,
129 replication proteins, and incompatibility groups on each contig. The Platon identification was
130 used to determine whether the AMR genes were part of the chromosome or present on
131 plasmids. Flanker 0.1.5 [34] was used to extract 20kb genomic regions surrounding AMR
132 genes, treating plasmids as circular if the Unicycler assembler reported them as circular.
133 Isolates were removed if the AMR gene was on a contig less than 5kb in length. Clinker [35]
134 was used to visualise the regions, with links drawn between genes with 95% or greater identity.
135

136 Results

137
138 Between 23rd March 2016 and 13th March 2017, 121 isolates were cultured from swabs from
139 50 pairs of mothers and infants. 25/50 (50%) of infants and 47/50 (94%) of mothers were
140 colonised with an ESBL-E, including 17/50 pairs where both mother and infant were colonised
141 with *E. coli* and 4/50 pairs colonised with *K. pneumoniae*. Nine pairs had the same species
142 isolated from both mother and infant with identical antibiograms, which we considered as
143 potential transmission pairs (Figure 1).
144
145

146 We sequenced 96 isolates in total on Illumina MiSeq - 68 isolates from 20 of the 21 pairs where
147 both mother and infant were colonised, including eight of nine pairs considered as potential
148 transmission pairs (one pair could not be retrieved for sequencing), and 28 other randomly
149 selected isolates from the study. We sequenced up to four isolates per individual based on the
150 number of distinct morphotypes identified during bacterial growth (Supplementary Table 1).
151

152 We performed long-read sequencing on the 18 isolates identified as possible transmission pairs
153 based on the phenotypic data, as well as 18 other isolates which were observed to have closely
154 related core genomes or similar patterns of antimicrobial resistance genes based on Illumina
155 data. We used hybrid assembly of the long and short-read data to obtain complete genomes
156 and resolve the plasmids in these strains in order to confirm transmission events and identify
157 whether these transmission events involved complete isolates, or plasmid horizontal
158 transmission between different isolates. We obtained between 1 and 9 contigs for each of the
159 36 isolates, including one contig of 4.5Mb or larger assumed to be the chromosome, and 0-8
160 plasmid contigs per isolate.
161

162 The species of each isolate was determined from the whole genome sequencing using
163 ClermonTyping (for *Escherichia* species) and Kleborate (for *Klebsiella* species). This showed
164 that the *K. pneumoniae* isolates included three isolates of *Klebsiella quasipneumoniae* subsp.
165 *similipneumoniae* and one isolate of *Klebsiella quasipneumoniae* subsp. *quasipneumoniae*, and
166 the *E. coli* isolates included three isolates of *Escherichia fergusonii* and two isolates of
167 *Escherichia clade-1* (Figure 2).

168
169 No phylogroups or MLST were predominant in the isolates. Among *E. coli* isolates, the most
170 common MLST was ST38 and the closely related ST3268 and ST3052 and ST318, as well as
171 three isolates from the ST131 pandemic clade (Supplementary Figure 1). Of the three ST131
172 isolates, two were clade C and one was clade A. In the *K. pneumoniae* isolates there were no
173 dominant sequence types, with ST17 the only sequence type present more than once in
174 unpaired isolates, and four isolates had novel sequence types (Supplementary Figure 2). No
175 virulence determinants were found in the *K. pneumoniae* isolates and all had a virulence score
176 of 0 as determined by Kleborate.

177

178 **Antimicrobial resistance**

179

180 95 of 96 isolates had an ESBL gene present in the genome, as expected as they were selected
181 for the presence of ESBLs. One isolate (EbB064) had no ESBL genes present in the sequenced
182 genome, despite having phenotypic resistance to 3rd generation cephalosporins. Four
183 *Klebsiella pneumoniae* and one *Klebsiella quasipneumoniae* subsp. *similipneumoniae* isolates
184 had *bla*_{SHV-2A} genes predicted to cause ESBL resistance, with two cases of *bla*_{SHV-2A} carried on a
185 plasmid, one case where the gene is chromosomal, and one pair of isolates carrying the gene
186 on both a plasmid and in the chromosome. Multidrug resistance was extremely common in
187 these isolates, with 64% (61/96) of isolates genotypically resistant to 6 antimicrobial classes,
188 including 2 isolates resistant to 8 classes (Figure 3). No carbapenemase resistance was found
189 in this dataset. Colistin resistance was observed through presence of *mcr-1.1* and *mcr-3.5*
190 genes in three *E. coli* isolates. A point mutation of *pmrB* (R256G) was reported in three *K.*
191 *pneumoniae* isolates but this has been previously demonstrated not to cause colistin resistance
192 in isolation [36] and we did not consider these isolates resistant. AMRfinder analysis reported
193 resistance to phenicol/quinolone via *oqxAB* and resistance to fosfomycin via *fosA* in *K.*
194 *pneumoniae*, but Kleborate confirmed these were intrinsic and no acquired resistance was
195 reported, and so these isolates were not recorded as resistant through presence of these genes
196 [31].

197

198 A wide range of beta-lactamase genes were carried, including 9 different *bla*_{CTX-M} genes, and
199 genes from the *bla*_{CMY}, *bla*_{OXA}, *bla*_{DHA}, *bla*_{SHV} and *bla*_{VEB} families (Figure 4). The most common
200 were *bla*_{CTX-M-15}, found in 31 isolates, and *bla*_{CTX-M-55}, found in 24 isolates. 25 isolates had an
201 ESBL gene in the chromosome, while 7 isolates had ESBL genes present on plasmids as well
202 as integrated into the chromosome.

203

204 **Identification of transmission events**

205

206 For each potential pair of isolates from a mother-infant pair, we identified potential transmission
207 events as either transmission of a strain with complete genome (chromosome only, or
208 chromosome and plasmid), transmission of plasmids, or no transmission.

209
210 For eight of the nine pairs which had the same antibiogram in both strains, the mother and infant
211 strains shared the same MLST and the same set of acquired antimicrobial resistance genes,
212 and a further pair of isolates differed only by one antimicrobial resistance gene. We used split k-
213 mer analysis to identify transmission clusters in the complete dataset, and confirmed this using
214 the complete genome assembled from one of the paired strains as a reference for mapping and
215 variant calling. We removed variant calls in repetitive regions but did not correct for
216 recombination as we assume no recombination will occur in the timeframe of maternal
217 transmission.

218
219 Eight of these nine pairs were identified as transmission clusters using skat with default filters
220 (95% kmer similarity and a SNP distance threshold of 20), and had 0-4 SNP differences
221 between them (Figure 5). To confirm these results, we used one strain from each pair as a
222 reference genome, and performed mapping and variant calling. Mapping to one pair as a
223 reference gave similar results in all cases with 0-4 SNP differences from the mapping-based
224 approach. We identified one pair where complete strains of both *E. coli* and *K. pneumoniae*
225 were transmitted.

226
227 We also looked at two other pairs of isolates from the whole collection which were identified as
228 a possible transmission cluster by skat (Figure 5). In one case, the two isolates (EbB096 and
229 EbB097) were from the same individual, and likely represent the same isolate which was
230 sequenced twice due to appearing as different morphotypes during bacterial growth. The other
231 pair of isolates (EbB002 and EbB018) were identified as a transmission cluster by skat, but with
232 14 SNP differences between the isolates. Mapping to one of the paired isolates as a reference
233 gave similar results, with 13 SNP differences between isolates. This pair of isolates came from
234 an unpaired mother and infant, and were collected 54 days apart.

235
236 For each of the transmission pairs we performed whole genome alignment using minimap to
237 determine if the transmission included plasmids. Seven of the eight transmission clusters
238 included plasmids, with only one pair where only the chromosome was present in both
239 assemblies. While the plasmids appear to be transmitted in all strains, in three of the eight
240 transmitted pairs there were rearrangements between plasmids. In one pair (isolates EbB065
241 and EbB066), one isolate had two circular contigs of 280kb and 95kb, while the other isolate
242 has only one non-circular contig of 372kb, which likely represents a misassembly of two
243 plasmids into one contig (Supplementary Figure 3). In another pair (EbB043 and EbB045), an
244 88kb non-circular contig from one isolate is present in the chromosome of the paired isolate,
245 representing either a misassembly, or potentially insertion into the chromosome (Supplementary
246 Figure 4). In a third pair (EbB104 and EbB105), the same plasmid material is assembled into a
247 single plasmid in both strains, but with rearrangements between the plasmids, including a
248 tandem duplication of the *bla*_{CTX-M-65} gene seen in two copies in EbB104 and three copies in
249 EbB105 (Supplementary Figure 5).

250 We also considered the possibility that maternal transmission of plasmids could occur in the
251 absence of transmission of a complete strain, which would not be discovered using mapping-
252 based approaches but may be identified by similar antimicrobial resistance profiles. To check for
253 plasmid-borne resistance genes shared between strains, we compared the antimicrobial
254 resistance profiles of all strains. There were no cases of identical or near-identical antimicrobial
255 resistance profiles in paired strains which do not have similar core genomes. We did identify
256 three clusters of unpaired samples with identical or near-identical antimicrobial resistance
257 profiles which do not have similar core genomes: EbB004 and EbB039, EbB031 and EbB041,
258 and EbB036/EbB037 and EbB091.

259
260 Strains EbB004 has a 127kb plasmid carrying *incFII* and *incFIB*, while EbB039 has a 221kb
261 plasmid with *incFII*, *incFIB*, *col156* and *P0111* replicons. The two plasmids shared a 50kb
262 segment with an internal inversion, including the *bla_{CTX-M-27}* gene, and eight other genes
263 conferring resistance to aminoglycosides, trimethoprim, macrolides, sulfonamides, and
264 tetracycline.

265
266 Strains EbB031 and Eb041 both belong to ST44 and have a SNP distance of 349 measured by
267 *skA*. They also share a 170kb plasmid with a similar resistance cassette carrying both *bla_{CTX-M-15}*
268 and *bla_{OXA-1}*, as well as resistance to aminoglycosides, trimethoprim, macrolides, sulfonamides,
269 tetracycline, and chloramphenicol.

270
271 Strains EbB036 and EbB037 are a transmission pair which share an antimicrobial resistance
272 profile with strain EbB091. However, none of these strains contain plasmids, and the shared
273 resistance profiles are driven by chromosomal *qnrS1* and *bla_{CTX-M-15}* integrated in different
274 locations.

275
276 Finally we looked at the genomic context of ESBLs found in more than one strain to determine if
277 shared mobile elements were driving the spread of ESBLs in this dataset. Observing the 20kb
278 regions around each ESBL, many of the ESBL genes were present in different contexts and
279 were not present on shared plasmids or as shared mobile elements integrated into plasmids or
280 chromosomes.

281 282 **Discussion**

283
284 We use complete genomes combining short and long-read sequencing to show that maternal
285 transmission is an important source of neonatal colonisation. We document seven cases of
286 maternal transmission across 50 pairs of mothers and infants, which may be an underestimate if
287 the colony selection on the basis of differing morphology did not represent the full diversity of *E.*
288 *coli* and *K. pneumoniae* carriage. In eight of nine transmitted strains, the strain was transmitted
289 with all plasmids intact.

290
291 We identified potential transmission pairs in this study by looking for similar patterns of
292 phenotypic antimicrobial resistance. Using similar antimicrobial resistance phenotypes in the
293 same organism as the sole criteria for detecting transmission, we would have detected all of the

294 transmission pairs, and called only one false positive transmission. Using similar antimicrobial
295 resistance and requiring the same MLST would have successfully detected all transmission
296 pairs confirmed using complete genomes, and would have excluded the false positive. This
297 suggests that previous studies of maternal transmission using MLST or PFGE genotyping to
298 identify transmissions are likely to have correctly called transmission events. However, we
299 detected at least one pair of isolates which were closely related but are from individuals from
300 unrelated pairs and do not represent maternal transmission between these individuals. As the
301 samples were collected on admission to the hospital, this is more likely to be community
302 transmission than due to a common source in the hospital. This suggests that community
303 transmission of isolates can give rise to results which are similar to maternal transmission and
304 may confound transmission studies, particularly if a SNP threshold for transmission cannot be
305 easily identified.

306
307 The isolates in this study were pre-selected to include only those with ESBLs and may not
308 represent a true population survey. Previous estimates of carriage rates in Cambodia have
309 ranged from 20% in rural villages in 2011 [37], 42.7% for *E. coli* and 33.7% for *K. pneumoniae*
310 between 2012 and 2015 [38], and 92.8% for *E. coli* and 44.1% for *K. pneumoniae* in Siem Reap
311 province in 2019 [39]. Despite the selection for ESBL carriage, the results are largely
312 concordant with previous studies investigating all isolates, with high levels of genetic diversity,
313 no dominant sequence types, and a range of antimicrobial resistance genes [40]. Despite the
314 presence of ST131 isolates in this dataset, they were not dominant in carriage. A wide range of
315 ESBL genes were seen in these isolates, with *bla*_{CTX-M-15} and *bla*_{CTX-M-55} the most common, but
316 no dominant gene or lineage. Previous studies have reported hypervirulent *K. pneumoniae*
317 clones as a cause of community-acquired infection in southeast Asia [41], but we did not detect
318 any *K. pneumoniae* virulence genes in this dataset.

319
320 We were unable to find any examples of transmission of plasmids between mothers and infants
321 outside the transmission of a complete strain. Across the whole dataset there were few shared
322 plasmids outside transmission pairs, indicating that no dominant plasmids are responsible for
323 the spread of antimicrobial resistance. The few strains with similar plasmids from unrelated
324 individuals, such as EbB031 and EbB041, were also closely related in the core genome and
325 suggests community circulation of strains rather than plasmid transmission. The complete
326 genome sequences allowed us to look at the different antimicrobial resistance genes in context,
327 and show that the ESBL genes are present in different contexts in both plasmid and
328 chromosome, and that no common transposable element is responsible for antimicrobial
329 resistance transmission in this dataset. Our limited set of ST131 genomes showed the
330 characteristic *incF* plasmids carrying *bla*_{CTX-M-27}, as previously reported as part of the diverse
331 plasmidome of ST131 [42].

332
333 Our study suggests that vertical transmission outside the hospital is a common source of
334 neonatal colonisation. Strategies to reduce neonatal infections need to consider that maternal
335 transmission is a frequent occurrence, and that AMR strains are circulating in the community
336 and widely carried by mothers and infants. Strategies which focus solely on hospital-based

337 intervention may be unsuccessful at preventing transmission and colonisation which occurs in
338 the community.

339

340 **Ethics statement**

341 The study was approved by Angkor Hospital for Children (0034/16-AHC), the Cambodia
342 National Ethics Committee for Health Research (464-NECHR) and the Oxford Tropical
343 Research Ethics Committee (575-15).

344

345 **Data summary**

346 Raw sequence data generated in this study were deposited in the European Nucleotide Archive
347 (ENA) at EMBL-EBI under project accession number PRJEB37551

348 <https://www.ebi.ac.uk/ena/browser/view/PRJEB37551>

349

350 **Funding**

351 The study was funded by the University of Oxford John Fell Fund and Wellcome Trust Core
352 Award Grant Number 106698/Z/16/Z. The computational aspects of this research were
353 supported by the Wellcome Trust Core Award Grant Number 203141/Z/16/Z and the NIHR
354 Oxford BRC. The views expressed are those of the author(s) and not necessarily those of the
355 NHS, the NIHR or the Department of Health. This publication made use of the PubMLST
356 website (<https://pubmlst.org/>) developed by Keith Jolley and sited at the University of Oxford.
357 The development of that website was funded by the Wellcome Trust.

358

359 **Conflicts of interest**

360 Authors declare no conflicts of interest.

361

362

363

364 **References**

365

- 366 1. Reed TAN, Krang S, Miliya T, Townell N, Letchford J, Bun S, et al. Antimicrobial resistance
367 in Cambodia: a review. *Int J Infect Dis.* 2019;85: 98–107. doi:10.1016/j.ijid.2019.05.036
- 368 2. Woerther P-L, Burdet C, Chachaty E, Andremont A. Trends in human fecal carriage of
369 extended-spectrum β -lactamases in the community: toward the globalization of CTX-M. *Clin*
370 *Microbiol Rev.* 2013;26: 744–758. doi:10.1128/CMR.00023-13
- 371 3. Zellweger RM, Carrique-Mas J, Limmathurotsakul D, Day NPJ, Thwaites GE, Baker S, et
372 al. A current perspective on antimicrobial resistance in Southeast Asia. *J Antimicrob*
373 *Chemother.* 2017;72: 2963–2972. doi:10.1093/jac/dkx260
- 374 4. Fox-Lewis A, Takata J, Miliya T, Lubell Y, Soeng S, Sar P, et al. Antimicrobial Resistance in
375 Invasive Bacterial Infections in Hospitalized Children, Cambodia, 2007-2016. *Emerg Infect*
376 *Dis.* 2018;24: 841–851. doi:10.3201/eid2405.171830
- 377 5. Roberts T, Limmathurotsakul D, Turner P, Day NPJ, Vandepitte WP, Cooper BS.
378 Antimicrobial-resistant Gram-negative colonization in infants from a neonatal intensive care

- 379 unit in Thailand. *J Hosp Infect.* 2019;103: 151–155. doi:10.1016/j.jhin.2019.04.004
- 380 6. Stoesser N, Giess A, Batty EM, Sheppard AE, Walker AS, Wilson DJ, et al. Genome
381 sequencing of an extended series of NDM-producing *Klebsiella pneumoniae* isolates from
382 neonatal infections in a Nepali hospital characterizes the extent of community- versus
383 hospital-associated transmission in an endemic setting. *Antimicrob Agents Chemother.*
384 2014;58: 7347–7357. doi:10.1128/AAC.03900-14
- 385 7. Vlieghe E, Sary S, Lim K, Sivuthy C, Phe T, Parry C, et al. First National Workshop on
386 Antibiotic Resistance in Cambodia: Phnom Penh, Cambodia, 16-18 November 2011. *J*
387 *Glob Antimicrob Resist.* 2013;1: 31–34. doi:10.1016/j.jgar.2013.01.007
- 388 8. Turner P, Pol S, Soeng S, Sar P, Neou L, Chea P, et al. High Prevalence of Antimicrobial-
389 resistant Gram-negative Colonization in Hospitalized Cambodian Infants. *Pediatr Infect Dis*
390 *J.* 2016;35: 856–861. doi:10.1097/INF.0000000000001187
- 391 9. Smit PW, Stoesser N, Pol S, van Kleef E, Oonsivilai M, Tan P, et al. Transmission
392 Dynamics of Hyper-Endemic Multi-Drug Resistant *Klebsiella pneumoniae* in a Southeast
393 Asian Neonatal Unit: A Longitudinal Study With Whole Genome Sequencing. *Front*
394 *Microbiol.* 2018;9: 1197. doi:10.3389/fmicb.2018.01197
- 395 10. Heigl K, Zamfir M, Adler AC, Dammeyer A, Schomacher L, Karlin B, et al. Prevalence of
396 methicillin-sensitive, methicillin-resistant *Staphylococcus aureus*, and extended-spectrum
397 beta-lactamase-producing *Escherichia coli* in newborns: a cross-sectional study. *J Matern*
398 *Fetal Neonatal Med.* 2020; 1–12. doi:10.1080/14767058.2020.1849100
- 399 11. Frank Wolf M, Abu Shqara R, Naskovica K, Zilberfarb IA, Sgayer I, Glikman D, et al.
400 Vertical Transmission of Extended-Spectrum, Beta-Lactamase-Producing
401 Enterobacteriaceae during Preterm Delivery: A Prospective Study. *Microorganisms.* 2021;9.
402 doi:10.3390/microorganisms9030506
- 403 12. Rettedal S, Løhr IH, Bernhoff E, Natås OB, Sundsfjord A, Øymar K. Extended-spectrum β -
404 lactamase-producing Enterobacteriaceae among pregnant women in Norway: prevalence
405 and maternal-neonatal transmission. *J Perinatol.* 2015;35: 907–912. doi:10.1038/jp.2015.82
- 406 13. Peretz A, Skuratovsky A, Khabra E, Adler A, Pastukh N, Barak S, et al. Peripartum
407 maternal transmission of extended-spectrum β -lactamase organism to newborn infants.
408 *Diagn Microbiol Infect Dis.* 2017;87: 168–171. doi:10.1016/j.diagmicrobio.2016.11.004
- 409 14. Carvalho MJ, Sands K, Thomson K, Portal E, Mathias J, Milton R, et al. Antibiotic
410 resistance genes in the gut microbiota of mothers and linked neonates with or without
411 sepsis from low- and middle-income countries. *Nat Microbiol.* 2022;7: 1337–1347.
412 doi:10.1038/s41564-022-01184-y
- 413 15. Didelot X, Bowden R, Wilson DJ, Peto TEA, Crook DW. Transforming clinical microbiology
414 with bacterial genome sequencing. *Nat Rev Genet.* 2012;13: 601–612.
415 doi:10.1038/nrg3226
- 416 16. Gorrie CL, Mirceta M, Wick RR, Edwards DJ, Thomson NR, Strugnell RA, et al.
417 Gastrointestinal Carriage Is a Major Reservoir of *Klebsiella pneumoniae* Infection in
418 Intensive Care Patients. *Clin Infect Dis.* 2017;65: 208–215. doi:10.1093/cid/cix270

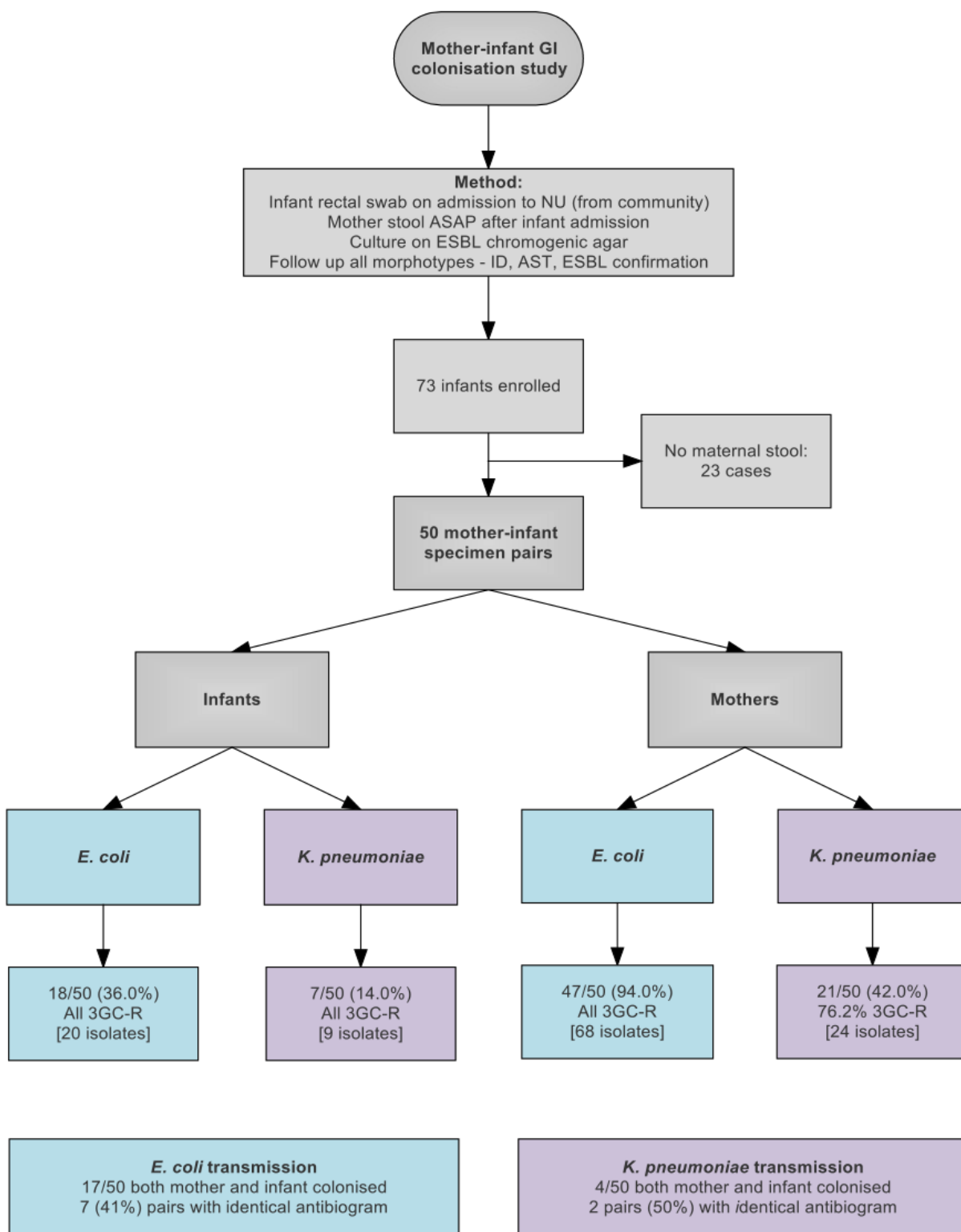
- 419 17. Mathers AJ, Cox HL, Kitchel B, Bonatti H, Brassinga AKC, Carroll J, et al. Molecular
420 dissection of an outbreak of carbapenem-resistant enterobacteriaceae reveals Intergenous
421 KPC carbapenemase transmission through a promiscuous plasmid. *MBio*. 2011;2: e00204–
422 11. doi:10.1128/mBio.00204-11
- 423 18. Treangen TJ, Salzberg SL. Repetitive DNA and next-generation sequencing: computational
424 challenges and solutions. *Nat Rev Genet*. 2011;13: 36–46. doi:10.1038/nrg3117
- 425 19. Koren S, Phillippy AM. One chromosome, one contig: complete microbial genomes from
426 long-read sequencing and assembly. *Curr Opin Microbiol*. 2015;23: 110–120.
427 doi:10.1016/j.mib.2014.11.014
- 428 20. CLSI. Performance Standards for Antimicrobial Susceptibility Testing. CLSI document
429 M100-S27. 27th Edition. Wayne PA, editor. Clinical and Laboratory Standards Institute;
430 2017.
- 431 21. Petit RA 3rd, Read TD. Bactopia: a Flexible Pipeline for Complete Analysis of Bacterial
432 Genomes. *mSystems*. 2020;5. doi:10.1128/mSystems.00190-20
- 433 22. Katz L. mashree: Create a tree using Mash distances. Github; Available:
434 <https://github.com/lskatz/mashree>
- 435 23. Yu G, Smith DK, Zhu H, Guan Y, Lam TT-Y. ggtree : an r package for visualization and
436 annotation of phylogenetic trees with their covariates and other associated data. McInerny
437 G, editor. *Methods Ecol Evol*. 2017;8: 28–36. doi:10.1111/2041-210X.12628
- 438 24. Harris SR. SKA: Split Kmer Analysis Toolkit for Bacterial Genomic Epidemiology. *bioRxiv*.
439 2018. p. 453142. doi:10.1101/453142
- 440 25. Seemann T. snippy. Github; Available: <https://github.com/tseemann/snippy>
- 441 26. Seemann T. snp-dists: Pairwise SNP distance matrix from a FASTA sequence alignment.
442 Github; Available: <https://github.com/tseemann/snp-dists>
- 443 27. Seemann T. mlst: Scan contig files against PubMLST typing schemes. Github; Available:
444 <https://github.com/tseemann/mlst>
- 445 28. Jolley KA, Maiden MCJ. BIGSdb: Scalable analysis of bacterial genome variation at the
446 population level. *BMC Bioinformatics*. 2010;11: 595. doi:10.1186/1471-2105-11-595
- 447 29. Wick RR, Judd LM, Gorrie CL, Holt KE. Unicycler: Resolving bacterial genome assemblies
448 from short and long sequencing reads. *PLoS Comput Biol*. 2017;13: e1005595.
449 doi:10.1371/journal.pcbi.1005595
- 450 30. Beghain J, Bridier-Nahmias A, Le Nagard H, Denamur E, Clermont O. ClermonTyping: an
451 easy-to-use and accurate in silico method for Escherichia genus strain phylotyping. *Microb*
452 *Genom*. 2018;4. doi:10.1099/mgen.0.000192
- 453 31. Lam MMC, Wick RR, Watts SC, Cerdeira LT, Wyres KL, Holt KE. A genomic surveillance
454 framework and genotyping tool for Klebsiella pneumoniae and its related species complex.
455 *Nat Commun*. 2021;12: 4188. doi:10.1038/s41467-021-24448-3
- 456 32. Feldgarden M, Brover V, Haft DH, Prasad AB, Slotta DJ, Tolstoy I, et al. Validating the

- 457 AMRFinder Tool and Resistance Gene Database by Using Antimicrobial Resistance
458 Genotype-Phenotype Correlations in a Collection of Isolates. *Antimicrob Agents*
459 *Chemother.* 2019;63. doi:10.1128/AAC.00483-19
- 460 33. Schwengers O, Barth P, Falgenhauer L, Hain T, Chakraborty T, Goesmann A. Platon:
461 identification and characterization of bacterial plasmid contigs in short-read draft
462 assemblies exploiting protein sequence-based replicon distribution scores. *Microb Genom.*
463 2020. doi:10.1099/mgen.0.000398
- 464 34. Matlock W, Lipworth S, Constantinides B, Peto TEA, Walker AS, Crook D, et al. Flanker: a
465 tool for comparative genomics of gene flanking regions. *Microb Genom.* 2021;7.
466 doi:10.1099/mgen.0.000634
- 467 35. Gilchrist CLM, Chooi Y-H. Clinker & clustermap.js: Automatic generation of gene cluster
468 comparison figures. *Bioinformatics.* 2021. doi:10.1093/bioinformatics/btab007
- 469 36. Cheng Y-H, Lin T-L, Pan Y-J, Wang Y-P, Lin Y-T, Wang J-T. Colistin resistance
470 mechanisms in *Klebsiella pneumoniae* strains from Taiwan. *Antimicrob Agents Chemother.*
471 2015;59: 2909–2913. doi:10.1128/AAC.04763-14
- 472 37. Atterby C, Osbjør K, Tepper V, Rajala E, Hernandez J, Seng S, et al. Carriage of
473 carbapenemase- and extended-spectrum cephalosporinase-producing *Escherichia coli* and
474 *Klebsiella pneumoniae* in humans and livestock in rural Cambodia; gender and age
475 differences and detection of blaOXA-48 in humans. *Zoonoses Public Health.* 2019;66: 603–
476 617. doi:10.1111/zph.12612
- 477 38. Caron Y, Chheang R, Puthea N, Soda M, Boyer S, Tarantola A, et al. Beta-lactam
478 resistance among Enterobacteriaceae in Cambodia: The four-year itch. *Int J Infect Dis.*
479 2018;66: 74–79. doi:10.1016/j.ijid.2017.10.025
- 480 39. Singh SR, Mao B, Evdokimov K, Tan P, Leab P, Ong R, et al. Prevalence of MDR organism
481 (MDRO) carriage in children and their household members in Siem Reap Province,
482 Cambodia. *JAC Antimicrob Resist.* 2020;2: dlaa097. doi:10.1093/jacamr/dlaa097
- 483 40. Huynh B-T, Passet V, Rakotondrasoa A, Diallo T, Kerleguer A, Hennart M, et al. *Klebsiella*
484 *pneumoniae* carriage in low-income countries: antimicrobial resistance, genomic diversity
485 and risk factors. *Gut Microbes.* 2020;11: 1287–1299. doi:10.1080/19490976.2020.1748257
- 486 41. Wyres KL, Lam MMC, Holt KE. Population genomics of *Klebsiella pneumoniae*. *Nat Rev*
487 *Microbiol.* 2020;18: 344–359. doi:10.1038/s41579-019-0315-1
- 488 42. Kondratyeva K, Salmon-Divon M, Navon-Venezia S. Meta-analysis of Pandemic
489 *Escherichia coli* ST131 Plasmidome Proves Restricted Plasmid-clade Associations. *Sci*
490 *Rep.* 2020;10: 36. doi:10.1038/s41598-019-56763-7

491

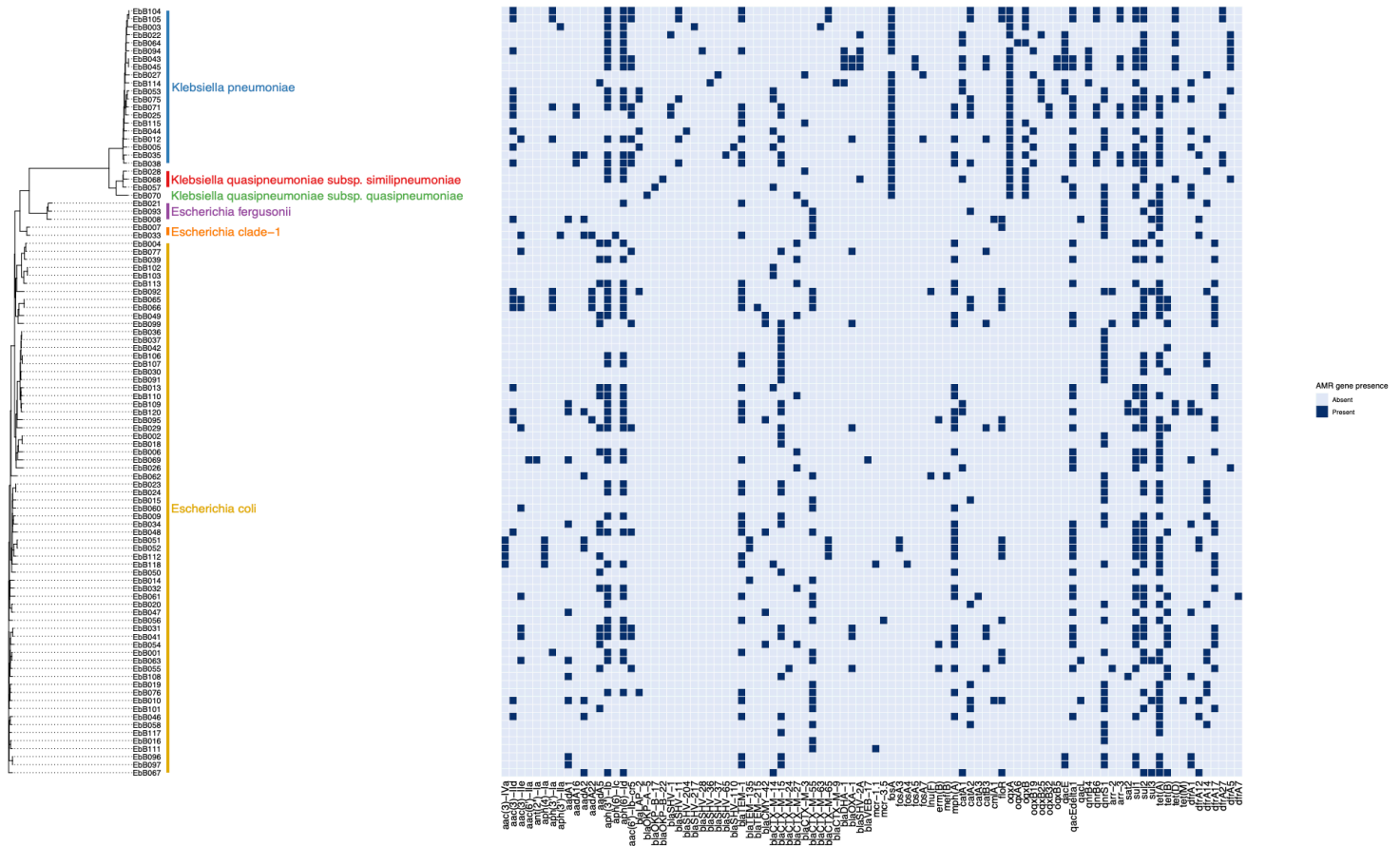
492

493

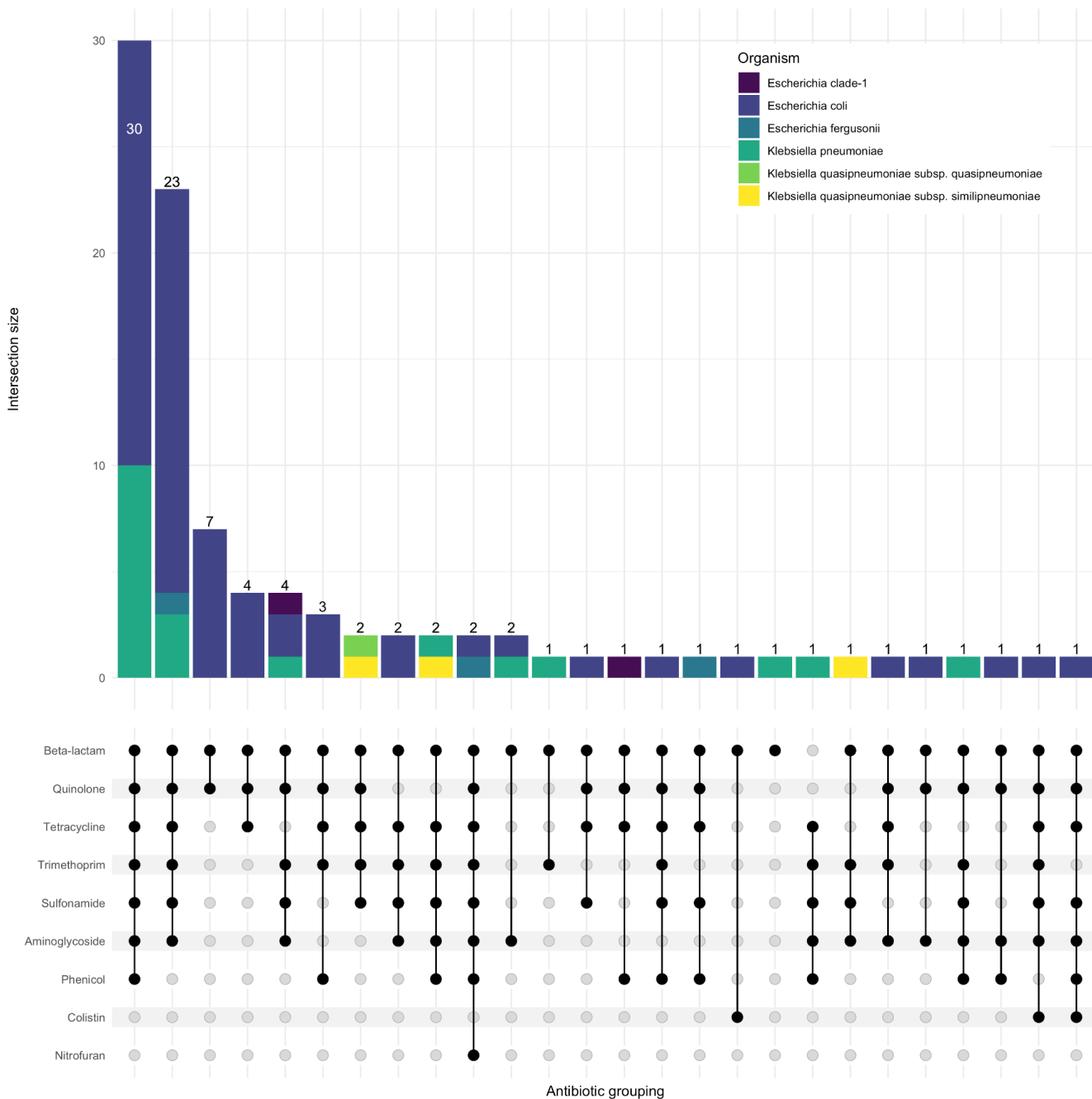


494
495 **Figure 1:** Flow diagram showing study design and sample collection. 3GC-R: third generation
496 cephalosporin resistant.

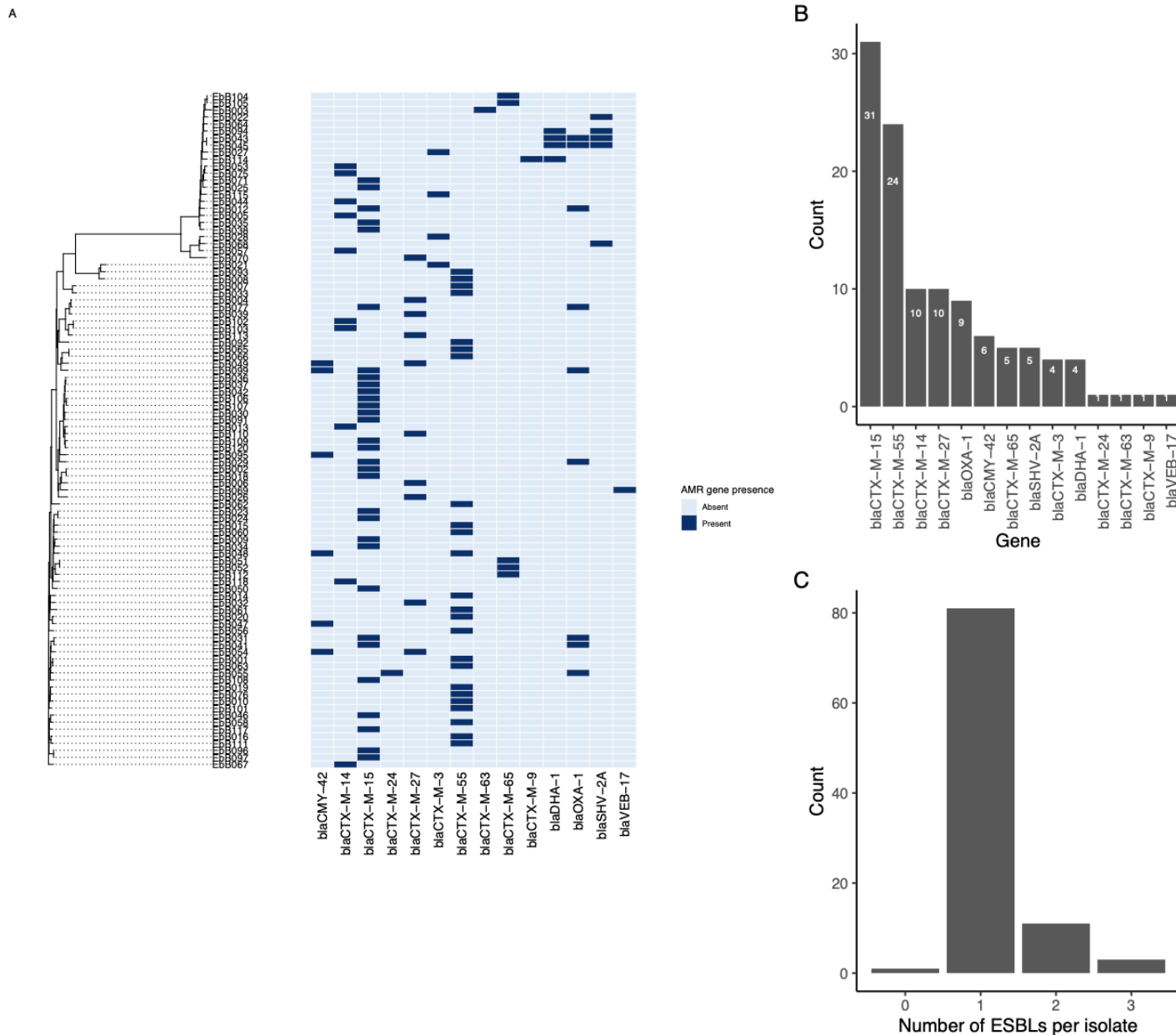
497



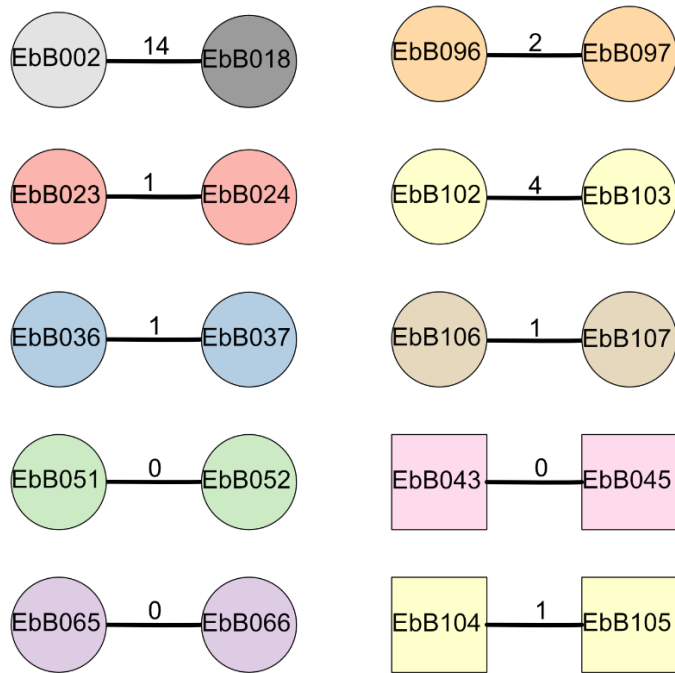
499 **Figure 2:** phylogeny based on mashtree of all samples showing species, and presence of
500 selected AMR genes in each sample.
501



5(503 **Figure 3:** Upset plot showing shared classes of antimicrobial resistance genes between 504 isolates. Isolate counts are shown as bars, with antimicrobial resistance gene combinations 505 displayed in the lower panel. 506 507



5(
 509 **Figure 4:** a) Phylogeny from mashtree showing presence/absence of ESBL genes b) frequency
 510 of ESBL genes in the isolates and c) number of ESBL genes per isolate.
 511



512
513
514
515
516
517

Figure 5: Diagram of clusters identified using skat. Circles show strains of *E. coli* while squares are *K. pneumoniae*. The number on the bar joining each pair represents the SNP distance between the two strains. Shapes are coloured according to the mother-infant pairs they were isolated from, with grey shapes for strains taken from unpaired individuals.