

1 **Title:** Impacts of vaccination and Severe Acute Respiratory Syndrome Coronavirus 2 variants  
2 Alpha and Delta on Coronavirus Disease 2019 transmission dynamics in four metropolitan areas  
3 of the United States

4 **Running Title:** Impacts of COVID-19 vaccination and SARS-CoV-2 variants

5 **One-Sentence Summary:** Using a compartmental model parameterized to reproduce available  
6 reports of new Coronavirus Disease 2019 (COVID-19) cases, we quantified the impacts of  
7 vaccination and Severe Acute Respiratory Syndrome Coronavirus 2 (SARS-CoV-2) variants  
8 Alpha (lineage B.1.1.7) and Delta (lineage B.1.617.2) on regional epidemics in the metropolitan  
9 statistical areas (MSAs) surrounding Dallas, Houston, New York City, and Phoenix.

10 **Authors:** Abhishek Mallela<sup>1</sup>, Ye Chen<sup>1</sup>, Yen Ting Lin, Ely F. Miller, Jacob Neumann, Zhili He,  
11 Kathryn E. Nelson, Richard G. Posner, William S. Hlavacek\*

12 <sup>1</sup>These authors contributed equally.

13 Corresponding author. Email: [wish@lanl.gov](mailto:wish@lanl.gov)

14 Address for correspondence: William S. Hlavacek, Theoretical Biology and Biophysics  
15 Group, Theoretical Division, Los Alamos National Laboratory, Los Alamos, NM 87545,  
16 USA.

17 **Affiliations:** Los Alamos National Laboratory, Los Alamos, New Mexico, USA (W.S.  
18 Hlavacek, Y.T. Lin, A. Mallela); Northern Arizona University, Flagstaff, Arizona, USA (Y.  
19 Chen, Z. He, E.F. Miller, K.E. Nelson, J. Neumann, R.G. Posner).

20

21 **ABSTRACT**

22 To characterize Coronavirus Disease 2019 (COVID-19) transmission dynamics in each of  
23 the metropolitan statistical areas (MSAs) surrounding Dallas, Houston, New York City, and  
24 Phoenix in 2020 and 2021, we extended a previously reported compartmental model accounting  
25 for effects of multiple distinct periods of non-pharmaceutical interventions by adding  
26 consideration of vaccination and Severe Acute Respiratory Syndrome Coronavirus 2 (SARS-  
27 CoV-2) variants Alpha (lineage B.1.1.7) and Delta (lineage B.1.617.2). For each MSA, we found  
28 region-specific parameterizations of the model using daily reports of new COVID-19 cases  
29 available from January 21, 2020 to October 31, 2021. In the process, we obtained estimates of  
30 the relative infectiousness of Alpha and Delta as well as their takeoff times in each MSA (the  
31 times at which sustained transmission began). The estimated infectiousness of Alpha ranged  
32 from 1.1x to 1.4x that of viral strains circulating in 2020 and early 2021. The estimated relative  
33 infectiousness of Delta was higher in all cases, ranging from 1.6x to 2.1x. The estimated Alpha  
34 takeoff times ranged from February 1 to February 28, 2021. The estimated Delta takeoff times  
35 ranged from June 2 to June 26, 2021. Estimated takeoff times are consistent with genomic  
36 surveillance data.

37

38 **Keywords:** Coronavirus Disease 2019 (COVID-19), Severe Acute Respiratory Syndrome  
39 Coronavirus 2 (SARS-CoV-2), vaccination, SARS-CoV-2 variant Alpha (lineage B.1.1.7),  
40 SARS-CoV-2 variant Delta (lineage B.1.617.2), mathematical model, Bayesian inference

41

## 42 INTRODUCTION

43 In 2020, Coronavirus Disease 2019 (COVID-19) transmission dynamics were  
44 significantly influenced by non-pharmaceutical interventions [1–7]. In 2021, other factors arose  
45 with significant impacts on disease transmission, namely, vaccination [8–9] and emergence of  
46 Severe Acute Respiratory Syndrome Coronavirus 2 (SARS-CoV-2) variants [10–11].

47 Mass vaccination in the United States (US) began on December 14, 2020 [12], with  
48 demonstrable reduction of disease burden within vaccinated populations [13]. As the vaccination  
49 campaign progressed into March 2021, there was widespread reduction in disease incidence [14]  
50 and relaxation of state-mandated non-pharmaceutical interventions [15].

51 In early 2021, SARS-CoV-2 variant Alpha (lineage B.1.1.7) spread across the US and  
52 became the dominant circulating strain [16]. By the end of July 2021, the Delta variant (lineage  
53 B.1.617.2) had supplanted Alpha [17], concomitant with increases in new COVID-19 case  
54 detection [14]. Both Alpha and Delta have been estimated to be more transmissible than strains  
55 circulating earlier [18–23], and it was determined that vaccinated persons infected with Alpha  
56 and Delta were capable of transmitting disease [24, 25].

57 The Alpha variant was first detected in Kent, England in September 2020 [26], and was  
58 declared a variant of concern (VOC) on December 18, 2020 [26]. The Delta variant was first  
59 detected in Maharashtra, India in October 2020 [27] and was declared a VOC on May 6, 2021  
60 [26]. In the literature, previous modeling works have investigated the relative transmissibility  
61 and timing of SARS-CoV-2 variants Alpha, Delta, and Omicron in multiple regions/countries,  
62 including England, Greece, Iran, China, and the US [28–36]. Modeling approaches applied in  
63 these studies involved deterministic [32–34] and stochastic [28, 30] compartmental models of

64 COVID-19 transmission. Other approaches involved statistical models and various forms of  
65 regression, e.g., multinomial logistic regression [29] and multivariable binary hyperbolic  
66 regression [36]. Bayesian methods, including the sequential Bayesian method [32], a Bayesian  
67 evidence synthesis framework [30], a Bayesian approach to estimate the effective reproduction  
68 number  $R_t$  [31] and Markov Chain Monte Carlo (MCMC) sampling [28, 33], were  
69 predominantly used. The data considered in these studies included case data [28, 30–35] viral  
70 load data [28], seroprevalence data [30], information on deaths and hospital admissions [33],  
71 age-specific vaccine coverage data [31], sequencing data [29], and biospecimen data [35].

72 In earlier work, we demonstrated that new COVID-19 case detection over various periods  
73 in 2020 can be faithfully reproduced for 280 (out of the 384) metropolitan statistical areas  
74 (MSAs) in the US and all 50 states by region-specific parameterizations of a compartmental  
75 model that accounts for time-varying non-pharmaceutical interventions [5–7]. We found that the  
76 multiple surges in disease incidence seen in 2020 [14] could be explained by changes in  
77 protective disease-avoiding behaviors, which we will refer to collectively as social-distancing.  
78 However, in 2021, the model lost its ability to capture disease transmission dynamics,  
79 presumably because of the impacts of vaccination and the emergence of more transmissible  
80 SARS-CoV-2 variants, namely, Alpha and Delta. Here, to quantify the impacts of vaccination  
81 and SARS-CoV-2 variants Alpha and Delta on COVID-19 transmission dynamics, we extended  
82 the model of Lin et al. [5] by adding consideration of vaccination and variants with increased  
83 transmissibility. We then found region-specific parameterizations of the model using vaccination  
84 and surveillance case data available for the MSAs surrounding Dallas, Houston, New York City,  
85 and Phoenix.

## 86 **METHODS**

## 87 **Data**

88           Daily reports of new confirmed COVID-19 cases were obtained from the GitHub  
89 repository maintained by *The New York Times* newspaper [37]. Daily reports of newly completed  
90 vaccinations were obtained from the Covid Act Now database for the MSAs surrounding New  
91 York City and Phoenix [38]. Because of reporting gaps in the Covid Act Now database, we used  
92 a different source of vaccination data for the MSAs surrounding Dallas and Houston, the  
93 *Democrat and Chronicle* newspaper [39]. County-level surveillance and vaccination data were  
94 aggregated to obtain daily case and vaccination counts for the MSAs surrounding Dallas,  
95 Houston, New York City, and Phoenix. In the case of a missing daily report, we imputed the  
96 missing information as described in the Appendix.

## 97 **Compartmental Model for Disease Transmission Dynamics**

98           We used the compartmental model illustrated in Figure 1 (and Appendix Figure 1) to  
99 analyze data available for each MSA of interest. The model consists of ordinary differential  
100 equations (ODEs) describing the dynamics of 40 populations (state variables) (Appendix  
101 Equations 1–38). The state variables are each defined in Appendix Table 1. Model parameters  
102 are defined in Tables 1–3. Key features of the model are described below, and a full description  
103 of the model is provided in the Appendix.

104           We extended the model of Lin et al. [5] by including 15 new populations and 28 new  
105 transitions. Briefly, new parts of the model can be described as follows. Vaccination is modeled  
106 by moving susceptible persons (in the  $S_M$  and  $S_P$  populations) into the  $V_1$  population. Another  
107 consequence of vaccination is the movement of recovered unvaccinated persons (in the  $R_U$   
108 population) into the  $R_V$  population. The rate of vaccination is changed as needed to match the

109 empirical daily rate of vaccination. Recovered and susceptible persons have the same *per capita*  
110 probability of vaccination. Persons in  $S_M$  are mixing (i.e., not practicing social-distancing) and  
111 persons in  $S_P$  are practicing social-distancing (and thereby protected from infection to a degree).  
112 The series of transitions involving the populations  $V_1, \dots, V_6$  was introduced to model the immune  
113 response to vaccination (i.e., the amount of time required for vaccination to induce neutralizing  
114 antibodies). With this approach, the time from vaccination to appearance of neutralizing  
115 antibodies is a random variable characterized by an Erlang distribution. Persons in  $V_1, \dots, V_6$  may  
116 be infected. Persons in  $V_6$  transition to one of the following four populations:  $S_{V,1}, \dots, S_{V,4}$ . These  
117 populations represent persons with varying degrees of immune protection. Persons in  $S_{V,1}$  are not  
118 protected against productive infection (i.e., an infection that can be transmitted to others) by any  
119 viral strain. Persons in  $S_{V,2}$  are protected against productive infection by viral strains present  
120 before the emergence of Alpha but not Alpha or Delta. Persons in  $S_{V,3}$  are protected against  
121 productive infection by viral strains present before the emergence of Alpha and also Alpha but  
122 not Delta. Persons in  $S_{V,4}$  are protected against productive infection by all of the viral strains  
123 considered up to October 31, 2021. Vaccinated persons who become infected move into  $E_V$ . The  
124 time spent in  $E_V$  corresponds to the length of the incubation period for vaccinated persons. The  
125 mean duration of the incubation period is taken to be the same for vaccinated and unvaccinated  
126 persons; however, as a simplification, for vaccinated persons, the time spent in the incubation  
127 period is taken to consist of a single stage and consequently is exponentially distributed (vs.  
128 Erlang distributed for unvaccinated persons). Non-quarantined exposed persons in populations  
129  $E_V$  and  $E_{i,M}$  and  $E_{i,P}$  for  $i = 2, \dots, 5$  are taken to be infectious. Persons exiting  $E_V$  leave the  
130 incubation period and enter the immune clearance phase of infection, during which they may be  
131 asymptomatic ( $A_V$ ) or symptomatic with mild disease ( $I_V$ ). Non-quarantined asymptomatic

132 persons in populations  $A_V$ ,  $A_M$ , and  $A_P$  are taken to be infectious. Persons in  $A_V$  are assumed to  
133 eventually recover (i.e., to enter  $R_V$ ). Persons with mild symptomatic disease may recover (i.e.,  
134 enter  $R_V$ ) or experience severe disease, at which point they move to  $H_V$  (in hospital or isolated at  
135 home). Vaccinated persons have a diminished probability of severe disease in comparison to  
136 unvaccinated persons. Persons in  $H_V$  either recover (move to  $R_V$ ) or die from COVID-19  
137 complications (move to  $D$ ). For a person with severe disease, the probability of death is  
138 independent of vaccination status. We assume that vaccinated persons do not participate in  
139 social-distancing, quarantine, or self-isolation driven by symptom awareness.

140 The new compartments and transitions, which are highlighted in Figure 1, capture  
141 vaccination among susceptible persons, recovered persons and infected non-quarantined persons  
142 without symptoms at a time-varying *per capita* rate  $\mu(t)$ . The value of  $\mu(t)$  changes daily for  
143 consistency with MSA-specific daily reports of completed vaccinations (Appendix Equation 37)  
144 from the COVID Act Now database and the *Democrat and Chronicle* COVID-19 vaccine  
145 tracker. The model also captures immune responses to vaccination yielding varying degrees of  
146 protection and consequences of breakthrough infection of vaccinated persons. Vaccine protection  
147 against transmissible infection was taken to be variant-dependent.

148 We introduced a dimensionless step function, denoted  $Y_\theta(t)$  (Appendix Equation 38),  
149 which multiplies the disease-transmission rate constant  $\beta$  to account for  $m$  variants. In this study,  
150  $m = 2$  (see Appendix Equations 1–4, 18–22, and 24). Thus, in the new model, the quantity  
151  $Y_\theta(t)\beta$  (vs.  $\beta$  alone) characterizes disease transmissibility at time  $t$ . The step function  $Y_\theta(t)$  was  
152 initially assigned a value of  $y_0 = 1$ , and the value of  $Y_\theta(t)$  was allowed to increase at times  $t =$   
153  $\theta_1$  and  $t = \theta_2$  (Appendix Equation 38). The disease transmission rate constant of the Alpha  
154 variant was considered by introducing a step increase from  $y_0\beta \equiv 1\beta$  to  $y_1\beta$  (with  $y_1 > 1$ ) at

155 time  $t = \theta_1$  (the Alpha takeoff time). Similarly, the disease transmission rate constant of the  
156 Delta variant was considered by introducing a step increase from  $y_1\beta$  to  $y_2\beta$  (with  $y_2 > y_1$ ) at  
157 time  $t = \theta_2 > \theta_1$  (the Delta takeoff time). We will refer to  $y_1$  and  $y_2$  as the Alpha and Delta  
158 transmissibility factors, respectively.

159 As in the original model of Lin et al. [5], the extended model accounts for a series of  $n +$   
160 1 distinct social-distancing periods (an initial period and  $n$  additional periods). Social-distancing  
161 periods are characterized by two step functions:  $P_\tau(t)$  and  $\Lambda_\tau(t)$ . The values of these functions  
162 change coordinately at a set of switch times  $\tau = (\sigma, \tau_1, \dots, \tau_n)$  (Appendix Equations 35 and 36),  
163 where  $\sigma$  is the start time of the initial social-distancing period and  $\tau_i$  is the start time of the  $i$ th  
164 social-distancing period after the initial social-distancing period. The values of  $P_\tau(t)$  and  $\Lambda_\tau(t)$   
165 are zero before time  $t = \sigma$ . The value of  $P_\tau(t)$  defines the steady-state setpoint fraction of the  
166 susceptible population practicing social-distancing at time  $t$ , and the value of  $\Lambda_\tau(t)$  defines a  
167 time scale for establishment of the steady state. The value of  $\Lambda_\tau(t)$  is an eigenvalue equal to a  
168 sum of social-distancing rate constants [5]. The non-zero values of  $P_\tau(t)$  and  $\Lambda_\tau(t)$  are denoted  
169  $p_0, \dots, p_n$  and  $\lambda_0, \dots, \lambda_n$ . We assume that vaccinated persons do not practice social-distancing.  
170 Recall that we use the term “social-distancing” to refer to behaviors adopted to protect against  
171 infection. These behaviors are assumed to reduce the risk of infection by a factor  $m_b$ .

## 172 **Parameters**

173 As indicated in Tables 1 and 2, we used MSA-specific case reporting data available up to  
174 October 31, 2021 to infer MSA-specific values for parameters characterizing the start time of the  
175 local epidemic ( $t_0$ ), local disease transmissibility of ancestral viral strains ( $\beta$ ), local social-  
176 distancing dynamics ( $\sigma, \lambda_0, p_0, \tau_i, \lambda_i$  and  $p_i$ , for  $i = 1, \dots, n$ ), local emergence of variants ( $\theta_1,$



177  $y_1, \theta_2, y_2$ ), the local rate of new case detection ( $f_D$ ), and noise in local case detection and  
178 reporting ( $r$ ). Values for other parameters were fixed (Table 3); inferences are conditioned on  
179 these fixed parameter estimates. There are 18 fixed parameters taken to be applicable for all  
180 MSAs. The total regional population  $S_0$ , which is taken to be fixed, was set on the basis of  
181 census data. The real-time *per capita* vaccination rate  $\mu(t)$ , a piecewise linear function, was set  
182 for consistency with the current empirical *per capita* rate of vaccination [38]. We adopted the  
183 fixed parameter estimates of Lin et al. [5]. New fixed parameter estimates made in this study for  
184  $m_h, f_0, f_1, f_2$ , and  $k_V$  are explained in the Appendix. The  $m_h$  parameter characterizes vaccine  
185 protection against severe disease, the  $f_0, f_1$ , and  $f_2$  parameters account for differential vaccine  
186 effectiveness against the three viral strains considered in this study (ancestral, Alpha, and Delta),  
187 and the  $k_V$  parameter characterizes the waiting time between vaccination and the acquisition of  
188 vaccine-induced immunity. Our model does not account for gradual loss of immunity over time.  
189 We let  $\tilde{\mu}(t) = \mu_i$  for times  $t$  throughout the  $i$ th day after January 21, 2020 (Appendix Equation  
190 37), where  $\mu_i$  is the fraction of the local population reported to complete vaccination over the 1-d  
191 surveillance period [38]. We then defined  $\mu(t)$  as the piecewise linear interpolant to  $\tilde{\mu}(t)$ . In  
192 summary, for a given inference, the number of adjustable parameters was  $2m + 3n + 4$ , where  
193  $m$  is the number of variants under consideration ( $m = 2$  in this study) and  $n$  is the number of  
194 distinct social-distancing periods being considered beyond an initial social-distancing period.  
195 The setting for  $n$  was determined through a model-selection procedure described in the  
196 Appendix.

### 197 **Auxiliary Measurement Model**

198 We assumed that state variables of the compartmental model (Figure 1, Appendix Table  
199 1) are related to the expected number of new cases reported on a given calendar date through an

200 auxiliary measurement model (Appendix Equations 39 and 40). The measurement model has one  
201 parameter:  $f_D$ , the region-specific fraction of new symptomatic infections detected. Thus,  $f_D \in$   
202  $[0, 1]$ . As a simplification, we considered  $f_D$  to be time-invariant. This simplification means that  
203 we assumed, for example, that case detection was neither limited nor strongly influenced by  
204 testing capacity, which varied over time. This assumption is reasonable if, for example, case  
205 detection is mainly determined by presentation for testing and, moreover, the motivations and  
206 societal factors that influence presentation remained roughly constant over the period of interest.  
207 One can also interpret  $f_D$  as the time-averaged case detection rate. The measurement-model  
208 parameter  $f_D$  was inferred jointly with the adjustable model parameters and the likelihood  
209 parameter  $r$  (see below).

## 210 **Statistical Model for Noise in Case Detection and Reporting**

211 We assumed that noise in new case detection and reporting on the  $i$ th day after January  
212 21, 2020 is captured by a negative binomial distribution  $\text{NB}(r, q_i)$  centered on  $I(t_i, t_{i+1})$ , the  
213 expected number of new cases detected over the  $i$ th day after January 21, 2020 as given by the  
214 compartmental model and the auxiliary measurement model (Appendix Equations 1–40). These  
215 and other assumptions led to the likelihood function used in inference (Appendix Equations 41–  
216 43). We determined the probability parameter  $q_i$  in  $\text{NB}(r, q_i)$  using Appendix Equation 43; the  
217 dispersion parameter  $r$  was taken to be a time-invariant adjustable parameter applicable for all  
218 days of case reporting. The likelihood parameter  $r$  was inferred jointly with the adjustable model  
219 parameters and the adjustable measurement-model parameter  $f_D$ .

## 220 **Computational Procedures**

221 We determined the intervals of the step functions  $Y_\theta(t)$ ,  $P_\tau(t)$ , and  $\Lambda_\tau(t)$  (i.e.,  $\theta$  and  $\tau$ )  
222 using a model-selection procedure described in the Appendix. Simulations and Bayesian  
223 inferences were performed as previously described [5–7] and in the Appendix. Files needed to  
224 reproduce inferences using the software package PyBioNetFit [40] are available online [41]. The  
225 files include case data, vaccination data, and diagnostic plots related to Bayesian inference using  
226 Markov chain Monte Carlo (MCMC) sampling, including trace plots [41]. Summary diagnostics  
227 characterizing the sampling for each MSA are given in Table 4. Briefly, we computed the stable  
228 Gelman-Rubin statistic using the methodology of Vats and Knudson [42]. An advantage of this  
229 statistic (over the original Gelman-Rubin statistic) is that only one Markov chain is required in  
230 sampling. In addition, the stable Gelman-Rubin statistic and effective sample size (ESS) have a  
231 one-to-one relationship.

## 232 RESULTS

### 233 Explanatory power of the model

234 As illustrated in Figures 2A, 3A, 4A, and 5A for the Dallas, Houston, New York City,  
235 and Phoenix MSAs respectively, the new model is able to explain surveillance case data over the  
236 period starting on January 21, 2020 and ending on October 31, 2021. The surveillance case  
237 data—daily reports of newly detected COVID-19 cases—for each of the 4 MSAs of interest  
238 largely lie within the 95% credible interval of the posterior predictive distribution for new case  
239 detection, which indicates that each regional model has explanatory power for the period of  
240 interest. Parameter estimates are summarized in Tables 1–3. Table 1 provides region-specific  
241 maximum *a posteriori* (MAP) estimates obtained through Bayesian inference enabled by  
242 Markov chain Monte Carlo (MCMC) sampling. Table 4 provides metrics that measure the

243 quality of MCMC sampling. The diagnostic results of Table 4 indicate that sampling was  
244 acceptable, because all multivariate potential scale reduction factors (PSRFs) are very close to 1  
245 and all multivariate effective sample sizes (ESSs) are at least 100. Diagnostic plots are provided  
246 online [41].

## 247 **Quantification of the impacts of non-pharmaceutical interventions and emergence of** 248 **variants**

249 Each regional model (parameterized to reproduce MSA-specific case reports) provides  
250 insight into the impacts of social-distancing behaviors and the emergence of the Alpha and Delta  
251 variants; compare panel A and the corresponding panel B in Figures 2–5. For example, as can be  
252 seen in Figure 4A, the New York City MSA experienced four notable surges in disease incidence  
253 over the period of interest. Figure 4B suggests that the first surge ended because of adoption of  
254 social-distancing behaviors, the second surge occurred because of relaxation of social-distancing  
255 behaviors, the third surge was caused by Alpha, and the fourth surge was caused by Delta.  
256 Interestingly, in other MSAs, Alpha had relatively little impact on disease incidence (compare  
257 Figures 4A and 4B to Figures 2A and 2B, 3A and 3B, and 5A and 5B). These differences are  
258 attributable to various factors, including the lower contagiousness of COVID-19 in Dallas,  
259 Houston, and Phoenix relative to New York City (see entries for  $\beta$  in Table 1), the later arrival of  
260 Alpha in Houston and Phoenix relative to New York City, and further progress of mass  
261 vaccination in Phoenix relative to New York City. Alpha takeoff, as well as Delta takeoff, is  
262 tracked locally in panel B (rightmost vertical axis) of Figures 2–5, and vaccination progress is  
263 tracked locally in panel C of Figures 2–5.

## 264 **Impacts of vaccination**

265 On the basis of region-specific parameterizations, we estimated the immune and  
266 susceptible fractions of each MSA population, as well as the fractions that achieved immunity  
267 through infection and/or vaccination (see panel C in Figures 2–5). Each of these panels shows  
268 the time evolution of five different populations in an MSA. In each MSA, only a minority of the  
269 population remained susceptible to infection (with Delta) on October 31, 2021, with a sizable  
270 fraction of the susceptible population being protected to a degree against severe disease by  
271 having completed vaccination.

## 272 **Estimates of transmissibility factors and takeoff times of Alpha and Delta**

273 Our inferences provide quantitative insights into the transmissibility factors of Alpha and  
274 Delta ( $y_1$  and  $y_2$ ) and their takeoff times ( $\theta_1$  and  $\theta_2$ ) in each of the 4 MSAs of interest. Figure 6  
275 shows the marginal posteriors of  $y_1$ ,  $y_2$ ,  $\theta_1$ , and  $\theta_2$ , which were found on the basis of  
276 surveillance data for each MSA (daily case counts) reported between January 21, 2020 and  
277 October 31, 2021. Maximum *a posteriori* (MAP) estimates and 95% credible intervals for  $\theta_1$  and  
278  $\theta_2$  for each MSA are also shown in Figure 6. The MAP estimates for  $y_1$  range from 1.1 (for the  
279 Dallas MSA) to 1.4 (for the New York City MSA). The MAP estimates for  $y_2$  range from 1.6  
280 (for the Dallas MSA) to 2.1 (for the New York City MSA). The MAP estimates for  $\theta_1$  range  
281 from February 1, 2021 (for the Dallas MSA) to February 28, 2021 (for the Phoenix MSA). The  
282 MAP estimates for  $\theta_2$  range from June 2, 2021 (for the Dallas MSA) to June 26, 2021 (for the  
283 Houston and Phoenix MSAs). The estimated takeoff times are consistent with regional genomic  
284 surveillance data [43], which are summarized by the shaded regions of panel A in Figures 2–5.

## 285 **DISCUSSION**

286 We extended a model for COVID-19 transmission dynamics that already incorporated  
287 time-varying changes in non-pharmaceutical interventions [5] to include the effects of  
288 vaccination and new variants. This model together with its region-specific parameterizations  
289 based on case data available through October 31, 2021 provide quantitative insights into the  
290 relative infectiousness of SARS-CoV-2 variants Alpha (lineage B.1.1.7) and Delta (lineage  
291 B.1.617.2). The increased transmissibility of Alpha and Delta in comparison to ancestral strains  
292 is characterized by the marginal posteriors for the transmissibility factors  $y_1$  and  $y_2$  shown in  
293 Figure 6 (panels A, C, E, and G). The maximum *a posteriori* (MAP) estimates of the  
294 transmissibility factors were similar across the four metropolitan statistical areas (MSAs) of  
295 interest (centered on Dallas, Houston, New York City, and Phoenix). The averages of our  $y_1$  and  
296  $y_2$  MAP estimates indicate that Alpha was 1.2x more infectious than ancestral strains, whereas  
297 Delta was 1.9x more infectious (corresponding to Delta being approximately 50% more  
298 infectious than Alpha). These estimates are consistent with estimates provided in other studies  
299 [18–23]. Using a formula for the basic reproduction number  $R_0$  derived earlier [7] and parameter  
300 estimates of Tables 1 and 3, we obtain an  $R_0$  estimate of 12 for Delta in the New York City  
301 MSA, which places this SARS-CoV-2 variant among the more infectious viruses known.

302 We also obtained estimates of precisely when sustained transmission of Alpha and Delta  
303 began in each of the four geographically distinct MSAs. In earlier work, takeoff times for Alpha  
304 and Delta were estimated only for regions outside the US (e.g., Denmark [44] and Mexico [45]),  
305 for regions in the US different from those considered here (e.g., New England [46] and two  
306 MSAs in Northern California [47]), and for the entire US [48]. The takeoff times for the four  
307 MSAs in the present study are characterized by the marginal posteriors for  $\theta_1$  and  $\theta_2$  shown in  
308 Figure 6 (panels B, D, F, and H). The estimated takeoff times are consistent with the observed

309 prevalence of Alpha and Delta sequences detected in regional genomic surveillance [43], as can  
310 be seen by comparing the two shaded regions in panel A of Figures 2–5 against the changes in  
311 transmissibility  $Y_\theta(t)$  depicted in the corresponding panel B of Figures 2–5. It should be noted  
312 that the case data shown in Figures 2–5 are from the MSAs of interest (through aggregation of  
313 county-level data), whereas the genomic surveillance data are from larger regions [43].

314 Our study has notable limitations, starting with the obvious uncertainties related to model  
315 assumptions and fixed parameter estimates, which are discussed in some detail in the Appendix.  
316 For example, our model assumes a constant rate of case detection and neglects gradual loss of  
317 sterilizing immunity over time. This latter simplifying assumption is supported by a study  
318 indicating that protection against re-infection from pre-Omicron variants is significant and  
319 remains high even after 40 weeks [49]. Moreover, we caution that the inference jobs performed  
320 in this study were challenging because of the relatively high-dimensional parameter spaces  
321 involved (in comparison to typical inferences involving an ODE model-constrained likelihood  
322 function). Diagnostics indicate good sampling (Table 4, [41]), but we cannot be entirely certain  
323 that the samples obtained fully characterize the parameter posteriors of interest. It can be seen in  
324 trace plots [41] that mixing across parameters was not uniform, and moreover, in some cases,  
325 there are indications of trends (manifesting as a trace plot that lacks the appearance of a  
326 horizontally extended, fuzzy caterpillar). The likely cause of these trace plots is poor local  
327 performance of the proposal kernel, which was optimized in the adaptive sampling scheme for  
328 global performance. The consequences of poor mixing may include biased parameter and  
329 uncertainty estimates. Another concern is that the model incorporates redundant disease-  
330 incidence surge mechanisms. In the model, an increase in viral infectiousness caused by the  
331 emergence of a new variant can be mimicked, to some extent, by a relaxation of social-

332 distancing, and vice versa. For the MSAs considered here, inferred social-distancing levels were  
333 low at the time of Alpha and Delta emergence, so the inferred transmissibility factors probably  
334 reflect, at least mostly, changes in intrinsic viral infectiousness.

335         It is known that viral transmissibility does not depend only on viral features but also on  
336 population features [7]. This study looked at multiple regions to ascertain whether population  
337 features varied significantly. Our analysis indicates that population features influencing  
338 transmission did not vary dramatically across these similar urban regions because we obtained  
339 similar region-specific estimates for the Alpha and Delta transmissibility factors. The Alpha  
340 transmissibility factors for the Dallas, Houston, New York City, and Phoenix MSAs were 1.1x,  
341 1.2x, 1.4x, and 1.3x, respectively. the Delta transmissibility factors for these MSAs were 1.6x,  
342 2.0x, 2.1x, and 1.8x, respectively.

343         We show that it is possible to gain insights into variant dynamics through a mechanistic  
344 modeling approach. This study provides an example for modelers interesting in understanding  
345 the impacts of a mass vaccination campaign and emergence of variants with altered  
346 transmissibility during an epidemic of an aerosol-transmitted respiratory disease similar to  
347 COVID-19.

348         In summary, this report provides estimates of Alpha and Delta transmissibility for  
349 specific regions within the US as well as their takeoff times.

## 350 **ACKNOWLEDGMENTS**

351         W.S.H., Y.T.L., and A.M. were supported by the LDRD program at Los Alamos National  
352 Laboratory (project 20220268ER). Y.C., Z.H., E.F.M., J.N., K.E.N., and R.G.P. were supported  
353 by a grant from the National Institute of General Medical Sciences of the National Institutes of



354 Health (grant R01GM111510). A.M. was supported by the 2020 Mathematical Sciences  
355 Graduate Internship program, which is sponsored by the Division of Mathematical Sciences of  
356 the National Science Foundation, and the Center for Nonlinear Studies at Los Alamos National  
357 Laboratory. Computational resources used in this study included Northern Arizona University's  
358 Monsoon computer cluster, which is funded by Arizona's Technology and Research Initiative  
359 Fund, and the FARM computer cluster at the University of California, Davis. Y.C. thanks Song  
360 Chen (University of Wisconsin, La Crosse, Wisconsin, USA) for technical assistance.

## 361 REFERENCES

- 362 [1] Courtemanche C, Garuccio J, Le A, Pinkston J, Yelowitz A. Strong social-distancing  
363 measures in the United States reduced the COVID-19 growth rate. *Health Aff*  
364 (Millwood). 2020;39:1237–46. <https://doi.org/10.1377/hlthaff.2020.00608>
- 365 [2] Hsiang S, Allen D, Annan-Phan S, Bell K, Bolliger I, Chong T, et al. The effect of large-  
366 scale anti-contagion policies on the COVID-19 pandemic. *Nature*. 2020;584:262–7.  
367 <https://doi.org/10.1038/s41586-020-2404-8>
- 368 [3] Matrajt L, Leung T. Evaluating the effectiveness of social-distancing interventions to  
369 delay or flatten the epidemic curve of coronavirus disease. *Emerg Infect Dis*.  
370 2020;26:1740–8. <https://doi.org/10.3201/eid2608.201093>
- 371 [4] Bo Y, Guo C, Lin C, Zeng Y, Li HB, et al. Effectiveness of non-pharmaceutical  
372 interventions on COVID-19 transmission in 190 countries from 23 January to 13 April  
373 2020. *Int J Inf Dis*. 2021;102:247–53. <https://doi.org/10.1016/j.ijid.2020.10.066>
- 374 [5] Lin YT, Neumann J, Miller EF, Posner RG, Mallela A, Safta C, Ray J, Thakur G,  
375 Chinthavali S, Hlavacek WS. Daily forecasting of regional epidemics of Coronavirus

- 376 Disease with Bayesian uncertainty quantification, United States. *Emerg Infect Dis*.  
377 2021;27:767–78. <https://doi.org/10.3201/eid2703.203364>
- 378 [6] Mallela A, Neumann J, Miller EF, Chen Y, Posner RG, Lin YT, Hlavacek WS. Bayesian  
379 inference of state-level COVID-19 basic reproduction numbers across the United States,  
380 *Viruses*. 2022;14:157. <https://doi.org/10.3390/v14010157>
- 381 [7] Mallela A, Lin YT, Hlavacek WS. Differential contagiousness of respiratory disease  
382 across the United States, *Epidemics*. 2023;45:100718.  
383 <https://doi.org/10.1016/j.epidem.2023.100718>
- 384 [8] Oliver SE, Gargano JW, Marin M, Wallace M, Curran KG, Chamberland M, et al. The  
385 Advisory Committee on Immunization Practices’ interim recommendation for use of  
386 Pfizer-BioNTech COVID-19 vaccine—United States, December 2020. *MMWR Morb*  
387 *Mortal Wkly Rep*. 2020;69:1922–4. <https://doi.org/10.15585/mmwr.mm6950e2>
- 388 [9] Oliver SE, Gargano JW, Marin M, Wallace M, Curran KG, Chamberland M, et al. The  
389 Advisory Committee on Immunization Practices’ interim recommendation for use of  
390 Moderna COVID-19 vaccine—United States, December 2020. *MMWR Morb Mortal*  
391 *Wkly Rep*. 2021;69:1653–6. <https://doi.org/10.15585/mmwr.mm695152e1>
- 392 [10] Galloway SE, Paul P, MacCannell DR, Johansson MA, Brooks JT, MacNeil A, et  
393 al. Emergence of SARS-CoV-2 B.1.1.7 lineage—United States, December 29, 2020–  
394 January 12, 2021. *MMWR Morb Mortal Wkly Rep*. 2021 / 70(3);95–99.  
395 <http://dx.doi.org/10.15585/mmwr.mm7003e2>
- 396 [11] Herlihy R, Bamberg W, Burakoff A, Alden N, Severson R, Bush E, et al. Rapid  
397 increase in circulation of the SARS-CoV-2 B.1.617.2 (Delta) variant—Mesa County,

- 398 Colorado, April–June 2021. *MMWR Morb Mortal Wkly Rep.* 2021;70:1084–7.
- 399 <https://doi.org/10.15585/mmwr.mm7032e2>
- 400 [12] Department of Health and Human Services. COVID-19 Vaccine Milestones [cited  
401 2022 Dec 21] [https://www.hhs.gov/coronavirus/covid-19-](https://www.hhs.gov/coronavirus/covid-19-vaccines/distribution/index.html)  
402 [vaccines/distribution/index.html](https://www.hhs.gov/coronavirus/covid-19-vaccines/distribution/index.html)
- 403 [13] Daniel W, Nivet M, Warner J, Podolsky DK. Early evidence of the effect of  
404 SARS-CoV-2 vaccine at one medical center. *N Engl J Med.* 2021;384:1962–3.  
405 <https://doi.org/10.1056/NEJMc2102153>
- 406 [14] Centers for Disease Control and Prevention. COVID data tracker. 2021 [cited  
407 2021 Oct 6] <https://covid.cdc.gov/covid-data-tracker/#datatracker-home>
- 408 [15] Coronavirus Resource Center, Johns Hopkins University. Impact of opening and  
409 closing decisions by state: a look at how social-distancing measures may have influenced  
410 trends in COVID-19 cases and deaths. 2021 [cited 2021 Oct 6]  
411 <https://coronavirus.jhu.edu/data/state-timeline>
- 412 [16] Washington NL, Gangavarapu K, Zeller M, Bolze A, Cirulli ET, Schiabor Barrett  
413 KM, et al. Emergence and rapid transmission of SARS-CoV-2 B.1.1.7 in the United  
414 States. *Cell.* 2021;184:2587–94. <https://doi.org/10.1016/j.cell.2021.03.052>
- 415 [17] Centers for Disease Control and Prevention. Covid data tracker, variant  
416 proportions. 2021 [cited 2021 Oct 6] [https://covid.cdc.gov/covid-data-tracker/#variant-](https://covid.cdc.gov/covid-data-tracker/#variant-proportions)  
417 [proportions](https://covid.cdc.gov/covid-data-tracker/#variant-proportions)
- 418 [18] Volz E, Mishra S, Chand M, Barrett JC, Johnson R, Geidelberg L, et al. Assessing  
419 transmissibility of SARS-CoV-2 lineage B.1.1.7 in England. *Nature.* 2021;593:266–9.  
420 <https://doi.org/10.1038/s41586-021-03470-x>

- 421 [19] Davies NG, Abbott S, Barnard RC, Jarvis CI, Kucharski AJ, Munday JD, et al.  
422 Estimated transmissibility and impact of SARS-CoV-2 lineage B.1.1.7 in England.  
423 Science. 2021;372:eabg3055. <https://doi.org/10.1126/science.abg3055>
- 424 [20] Ito K, Piantham C, Nishiura H. Predicted dominance of variant Delta of SARS-  
425 CoV-2 before Tokyo Olympic Games, Japan, July 2021. Euro Surveill.  
426 2021;26:2100570. <https://doi.org/10.2807/1560-7917.ES.2021.26.27.2100570>
- 427 [21] Arav Y, Fattal E, Klausner Z. Increased transmissibility of emerging SARS-CoV-  
428 2 variants is driven either by viral load or probability of infection rather than  
429 environmental stability. Mathematics. 2022, 10(19), 3422.  
430 <https://doi.org/10.3390/math10193422>
- 431 [22] Public Health England. SARS-CoV-2 variants of concern and variants under  
432 investigation in England. Technical briefing 15, June 11, 2021. [cited 2021 Aug 24]  
433 [https://assets.publishing.service.gov.uk/government/uploads/system/uploads/attachment\\_](https://assets.publishing.service.gov.uk/government/uploads/system/uploads/attachment_data/file/993879/Variants_of_Concern_VOC_Technical_Briefing_15.pdf)  
434 [data/file/993879/Variants\\_of\\_Concern\\_VOC\\_Technical\\_Briefing\\_15.pdf](https://assets.publishing.service.gov.uk/government/uploads/system/uploads/attachment_data/file/993879/Variants_of_Concern_VOC_Technical_Briefing_15.pdf)
- 435 [23] Cascella M, Rajnik M, Aleem A, Dulebohn SC, Di Napoli R. Features,  
436 evaluation, and treatment of coronavirus (COVID-19). July 30, 2021 update. Treasure  
437 Island (FL): StatPearls Publishing; 2022.  
438 <https://www.ncbi.nlm.nih.gov/books/NBK554776/>
- 439 [24] Lopez Bernal J, Andrews N, Gower C, Gallagher E, Simmons R, Thelwall S, et  
440 al. Effectiveness of Covid-19 Vaccines against the B.1.617.2 (Delta) variant. N Engl J  
441 Med. 2021;385:585–94. <https://doi.org/10.1056/NEJMoa2108891>
- 442 [25] Rovida F, Cassaniti I, Paolucci S, Percivalle E, Sarasini A, Piralla A, et al. SARS-  
443 CoV-2 vaccine breakthrough infections with the alpha variant are asymptomatic or

- 444 mildly symptomatic among health care workers. *Nat Commun.* 2021;12:6032.
- 445 <https://doi.org/10.1038/s41467-021-26154-6>
- 446 [26] Chand, M. et al. Investigation of Novel SARS-COV-2 Variant: Variant of  
447 Concern 202012/01. Technical Briefing 1.  
448 [https://assets.publishing.service.gov.uk/government/uploads/system/uploads/attachment\\_](https://assets.publishing.service.gov.uk/government/uploads/system/uploads/attachment_data/file/959438/Technical_Briefing_VOC_SH_NJL2_SH2.pdf)  
449 [data/file/959438/Technical\\_Briefing\\_VOC\\_SH\\_NJL2\\_SH2.pdf](https://assets.publishing.service.gov.uk/government/uploads/system/uploads/attachment_data/file/959438/Technical_Briefing_VOC_SH_NJL2_SH2.pdf) (Public Health England,  
450 2020).
- 451 [27] Andre M, Lau LS, Pokharel MD, Ramelow J, Owens F, Souchak J, et al. From  
452 Alpha to Omicron: How Different Variants of Concern of the SARS-Coronavirus-2  
453 Impacted the World. *Biology.* 2023;12:1267. <https://doi.org/10.3390/biology12091267>
- 454 [28] Davies NG, Jarvis CI, Edmunds WJ, Jewell NP, Diaz-Ordaz K, Keogh RH.  
455 Increased mortality in community-tested cases of SARS-CoV-2 lineage B. 1.1. 7. *Nature.*  
456 2021;593:270-4. <https://doi.org/10.1038/s41586-021-03426-1>
- 457 [29] Campbell F, Archer B, Laurenson-Schafer H, Jinnai Y, Konings F, Batra N, et al.  
458 Increased transmissibility and global spread of SARS-CoV-2 variants of concern as at  
459 June 2021. *Euro Surveill.* 2021;26:2100509. [https://doi.org/10.2807/1560-](https://doi.org/10.2807/1560-7917.es.2021.26.24.2100509)  
460 [7917.es.2021.26.24.2100509](https://doi.org/10.2807/1560-7917.es.2021.26.24.2100509)
- 461 [30] Sonabend R, Whittles LK, Imai N, Perez-Guzman PN, Knock ES, Rawson T, et  
462 al. Non-pharmaceutical interventions, vaccination, and the SARS-CoV-2 delta variant in  
463 England: a mathematical modelling study. *Lancet.* 2021;398:1825–35.  
464 [https://doi.org/10.1016/s0140-6736\(21\)02276-5](https://doi.org/10.1016/s0140-6736(21)02276-5)

- 465 [31] Cai J, Deng X, Yang J, Sun K, Liu H, Chen Z, et al. Modeling transmission of  
466 SARS-CoV-2 Omicron in China. *Nat Med.* 2022;28:1468–75.  
467 <https://doi.org/10.1038/s41591-022-01855-7>
- 468 [32] Sheikhi F, Yousefian N, Tehranipoor P, Kowsari Z. Estimation of the basic  
469 reproduction number of Alpha and Delta variants of COVID-19 pandemic in Iran. *PLOS*  
470 *One.* 2022;17:e0265489. <https://doi.org/10.1371/journal.pone.0265489>
- 471 [33] Barnard RC, Davies NG, Jit M, Edmunds WJ. Modeling the medium-term  
472 dynamics of SARS-CoV-2 transmission in England in the Omicron era. *Nat Commun.*  
473 2022;13:4879. <https://doi.org/10.1038/s41467-022-32404-y>
- 474 [34] Lioffi S, Tsiambas E, Maipas S, Papageorgiou E, Lazaris A, Kavantzias N.  
475 Mathematical modeling for Delta and Omicron variant of SARS-CoV-2 transmission  
476 dynamics in Greece. *Infect Dis Model.* 2023;8:794–805.  
477 <https://doi.org/10.1016/j.idm.2023.07.002>
- 478 [35] Donnelly MA, Chuey MR, Soto R, Schwartz NG, Chu VT, Konkle SL, et al.  
479 Household transmission of severe acute respiratory syndrome coronavirus 2 (SARS-  
480 CoV-2) Alpha variant–United States, 2021. *Clin Infect Dis.* 2022;75:e122-32.  
481 [10.1093/cid/ciac125](https://doi.org/10.1093/cid/ciac125)
- 482 [36] Tabatabai M, Juarez PD, Matthews-Juarez P, Wilus DM, Ramesh A, Alcendor  
483 DJ, et al. An Analysis of COVID-19 Mortality During the Dominancy of Alpha, Delta  
484 and Omicron in the USA. *J Prim Care Community Health.* 2023;14:21501319231170164.  
485 [10.1177/21501319231170164](https://doi.org/10.1177/21501319231170164)
- 486 [37] The New York Times. Coronavirus (COVID-19) data in the United States. 2021  
487 [cited 2021 Aug 24] <https://github.com/nytimes/covid-19-data>

- 488 [38] Covid Act Now. US COVID risk and vaccine tracker. 2021 [cited 2021 Sep 29]  
489 <https://covidactnow.org/>
- 490 [39] Democrat and Chronicle. COVID-19 vaccine tracker. 2023 [cited 2023 Nov 11]  
491 <https://data.democratandchronicle.com/covid-19-vaccine-tracker>
- 492 [40] Neumann J, Lin YT, Mallela A, Miller EF, Colvin J, Duprat AT, Chen Y,  
493 Hlavacek WS, Posner RG. Implementation of a practical Markov chain Monte Carlo  
494 sampling algorithm in PyBioNetFit. *Bioinformatics*. 2022;38:1770–2.  
495 <https://doi.org/10.1093/bioinformatics/btac004>
- 496 [41] GitHub repository of supplemental materials for this study. 2023 [cited 2023 Dec  
497 13] [https://github.com/lanl/PyBNF/tree/master/examples/Vax\\_and\\_Variants](https://github.com/lanl/PyBNF/tree/master/examples/Vax_and_Variants)
- 498 [42] Vats D, Knudson C. Revisiting the Gelman-Rubin Diagnostic. *Statist. Sci.*  
499 2021;36:518–529. <https://doi.org/10.1214/20-STS812>
- 500 [43] Centers for Disease Control and Prevention. SARS-CoV-2 Variant Proportions.  
501 2023 [cited 2023 Mar 8] [https://data.cdc.gov/Laboratory-Surveillance/SARS-CoV-2-](https://data.cdc.gov/Laboratory-Surveillance/SARS-CoV-2-Variant-Proportions/jr58-6ygp)  
502 [Variant-Proportions/jr58-6ygp](https://data.cdc.gov/Laboratory-Surveillance/SARS-CoV-2-Variant-Proportions/jr58-6ygp)
- 503 [44] Michaelsen TY, Bennedbæk M, Christiansen LE, Jørgensen MS, Møller CH,  
504 Sørensen EA, et al. Introduction and transmission of SARS-CoV-2 lineage B. 1.1. 7,  
505 Alpha variant, in Denmark. *Genome Med*. 2022;14:47. [https://doi.org/10.1186/s13073-](https://doi.org/10.1186/s13073-022-01045-7)  
506 [022-01045-7](https://doi.org/10.1186/s13073-022-01045-7)
- 507 [45] Zárate S, Taboada B, Muñoz-Medina JE, Iša P, Sanchez-Flores A, Boukadida C,  
508 et al. The alpha variant (B. 1.1. 7) of SARS-CoV-2 failed to become dominant in Mexico.  
509 *Microbiol Spectr*. 2022;10:e02240-21. <https://doi.org/10.1128/spectrum.02240-21>

- 510 [46] Earnest R, Uddin R, Matluk N, Renzette N, Turbett SE, Siddle KJ, et al.  
511 Comparative transmissibility of SARS-CoV-2 variants delta and alpha in New England,  
512 USA. *Cell Rep Med.* 2022;3. <https://doi.org/10.1016/j.xcrm.2022.100583>
- 513 [47] Alexander TY, Hughes B, Wolfe MK, Leon T, Duong D, Rabe A, et al.  
514 Estimating relative abundance of 2 SARS-CoV-2 variants through wastewater  
515 surveillance at 2 large metropolitan sites, United States. *Emerg Infect Dis.* 2022;28:940.  
516 [10.3201/eid2805.212488](https://doi.org/10.3201/eid2805.212488)
- 517 [48] Bolze A, Luo S, White S, Cirulli ET, Wyman D, Dei Rossi A, et al. SARS-CoV-2  
518 variant Delta rapidly displaced variant Alpha in the United States and led to higher viral  
519 loads. *Cell Rep Med.* 2022;3. [10.1016/j.xcrm.2022.100564](https://doi.org/10.1016/j.xcrm.2022.100564)
- 520 [49] Stein C, Nassereldine H, Sorensen RJ, Amlag JO, Bisignano C, Byrne S, et al.  
521 Past SARS-CoV-2 infection protection against re-infection: a systematic review and  
522 meta-analysis. *Lancet.* 2023;401:833–42. [https://doi.org/10.1016/S0140-6736\(22\)02465-](https://doi.org/10.1016/S0140-6736(22)02465-5)  
523 [5](https://doi.org/10.1016/S0140-6736(22)02465-5)
- 524 [50] Tregoning JS, Flight KE, Higham SL, Wang Z, Pierce BF. Progress of the  
525 COVID-19 vaccine effort: viruses, vaccines and variants versus efficacy, effectiveness  
526 and escape. *Nat Rev Immunol.* 2021;21:626-36. [https://doi.org/10.1038/s41577-021-](https://doi.org/10.1038/s41577-021-00592-1)  
527 [00592-1](https://doi.org/10.1038/s41577-021-00592-1)
- 528



529 **Table 1.** Model parameter values inferred for the Dallas, Houston, New York City, and Phoenix  
 530 Metropolitan Statistical Areas (MSAs) on October 31, 2021

Parameter	MAP estimate* for Dallas (Units)	MAP estimate* for Houston (Units)	MAP estimate* for New York City (Units)	MAP estimate* for Phoenix (Units)
$t_0$	14.8 (d)	11.2 (d)	9.6 (d)	14.0 (d)
$\beta$	0.30 (d <sup>-1</sup> )	0.29 (d <sup>-1</sup> )	0.37 (d <sup>-1</sup> )	0.29 (d <sup>-1</sup> )
$\sigma$	65 (d)	69 (d)	68 (d)	62 (d)
$p_0$	0.32	0.29	0.48	0.26
$\lambda_0$	9.7 (d <sup>-1</sup> )	7.5 (d <sup>-1</sup> )	9.7 (d <sup>-1</sup> )	6.6 (d <sup>-1</sup> )
$\tau_1$	139 (d)	162 (d)	143 (d)	148 (d)
$p_1$	0.27	0.39	0.40	0.23
$\lambda_1$	2.8 (d <sup>-1</sup> )	0.1 (d <sup>-1</sup> )	2.7 (d <sup>-1</sup> )	2.5 (d <sup>-1</sup> )
$\tau_2$	165 (d)	186 (d)	177 (d)	169 (d)
$p_2$	0.38	0.34	0.41	0.41
$\lambda_2$	0.63 (d <sup>-1</sup> )	0.53 (d <sup>-1</sup> )	0.39 (d <sup>-1</sup> )	0.47 (d <sup>-1</sup> )
$\tau_3$	259 (d)	278 (d)	262 (d)	248 (d)
$p_3$	0.22	0.17	0.26	0.10
$\lambda_3$	5.1 (d <sup>-1</sup> )	3.2 (d <sup>-1</sup> )	8.1 (d <sup>-1</sup> )	5.2 (d <sup>-1</sup> )
$\tau_4$	264 (d)	-	-	255 (d)
$p_4$	0.24	-	-	0.15
$\lambda_4$	1.7 (d <sup>-1</sup> )	-	-	3.2 (d <sup>-1</sup> )

$\theta_1$	377 (d)	400 (d)	381 (d)	404 (d)
$y_1$	1.1	1.2	1.4	1.3
$\theta_2$	497 (d)	521 (d)	512 (d)	522 (d)
$y_2$	1.6	2.0	2.1	1.8
$f_D$	0.48	0.36	0.39	0.54
$r$	3.0	3.0	9.1	3.1

---

531 \*Maximum *a posteriori* (MAP) estimates are region-specific and inference-time-dependent.  
532 Here, inference was based on MSA-specific confirmed coronavirus disease case count data  
533 available in the GitHub repository maintained by *The New York Times* newspaper [37] for  
534 January 21, 2020 to October 31, 2021. Time  $t = 0$  corresponds to midnight on January 21, 2020.  
535 Inferences were conditioned on the compartmental model of Appendix Equations 1–38,  
536 consideration of two viral variants (Alpha and Delta,  $m = 2$ ), and  $n + 1$  distinct social-  
537 distancing periods in total ( $n = 4$  for Dallas and Phoenix;  $n = 3$  for New York City and  
538 Houston), the fixed parameter estimates of Table 3, and the initial condition  $I_0$  and  $S_0$  at time  $t =$   
539  $t_0$  given in Table 3. The choice of two variants and the setting for  $n$  were chosen through a  
540 model-selection procedure described in the Appendix. With  $m = 2$  and  $n = 3$ , there are 18  
541 adjustable model parameters:  $t_0, \beta, \theta_1, y_1, \theta_2, y_2, \sigma, p_0, \lambda_0, \tau_1, p_1, \lambda_1, \tau_2, p_2, \lambda_2, \tau_3, p_3,$  and  $\lambda_3$ .  
542 With  $m = 2$  and  $n = 4$ , there are 21 adjustable model parameters:  $t_0, \beta, \theta_1, y_1, \theta_2, y_2, \sigma, p_0, \lambda_0,$   
543  $\tau_1, p_1, \lambda_1, \tau_2, p_2, \lambda_2, \tau_3, p_3, \lambda_3, \tau_4, p_4,$  and  $\lambda_4$ . These parameters were jointly inferred together  
544 with  $f_D$ , the parameter of the measurement model (i.e., the fraction of new cases detected and  
545 reported) (Appendix Equation 40), and  $r$ , the dispersion parameter of the statistical model for  
546 noise in case detection and reporting (i.e., the adjustable parameter of the negative binomial

547 likelihood function) (Appendix Equations 41–43). We assumed a uniform proper prior, as  
548 described in the Appendix.

549

550

551 **Table 2.** Descriptions of MSA-specific adjustable model parameters.

Parameter	Description
$t_0$	Start of local disease transmission
$\beta$	Rate constant for disease transmission
$\sigma$	Start of first social-distancing period
$p_0$	Social-distancing setpoint for the period $t \in [\sigma, \tau_1)$
$\lambda_0$	Social-distancing eigenvalue paired with $p_0$
$\tau_1$	Start of second social-distancing period
$p_1$	Social-distancing setpoint for the period $t \in [\tau_1, \tau_2)$
$\lambda_1$	Social-distancing eigenvalue paired with $p_1$
$\tau_2$	Start of third social-distancing period
$p_2$	Social-distancing setpoint for the period $t \in [\tau_2, \tau_3)$
$\lambda_2$	Social-distancing eigenvalue paired with $p_2$
$\tau_3$	Start of fourth social-distancing period
$p_3$	Social-distancing setpoint for the period $t \in [\tau_3, \tau_4)$
$\lambda_3$	Social-distancing eigenvalue paired with $p_3$
$\tau_4$	Start of fifth social-distancing period
$p_4$	Social-distancing setpoint for the period $t \in [\tau_4, \infty)$
$\lambda_4$	Social-distancing eigenvalue paired with $p_4$
$\theta_1$	Alpha takeoff time
$\gamma_1$	Increased infectiousness of Alpha (relative to ancestral strains)

$\theta_2$	Delta takeoff time
$y_2$	Increased infectiousness of Delta (relative to ancestral strains)
$f_D$	Fraction of cases detected and reported
$r$	Dispersion parameter of NB( $r, q_i$ )*

---

552 \*The probability parameter of NB( $r, q_i$ ) is constrained, i.e., the value of  $q_i$ , which is reporting  
553 time-dependent, is given by Appendix Equation 43.

554

555

556

557

558

559

560

561

562

563

564

565

566

567

568

569

570 **Table 3.** Fixed parameter estimates for each region-specific compartmental model

Parameter	Estimate <sup>1</sup> (Units)	Description	Source
$I_0$	1	Number of infectious persons at time $t = t_0$	[5]
$S_0$	19,216,182 <sup>2</sup>	Total population	[5]
$\mu(t)$	Empirical time-series <sup>3</sup> (d <sup>-1</sup> )	Daily <i>per capita</i> rate of vaccination	[38, 39]
$m_b$	0.1	Reduction in risk of infection because of social-distancing	[5]
$m_h$	0.04	Reduction in risk of severe disease (once symptomatic) because of vaccination	This study <sup>4</sup>
$f_A$	0.44	Fraction of all cases that are asymptomatic	[5]
$f_H$	0.054	Fraction of symptomatic cases that are severe (in the absence of vaccination)	[5]
$f_R$	0.79	Fraction of persons with severe disease who recover	[5]
$1 - f_0$	0.1	Fraction of vaccinated persons who fail to develop an immune response that protects against productive infection by ancestral strains or variants	This study <sup>4</sup>
$f_0 - f_1$	0.09	Fraction of vaccinated persons who develop an immune response that protects against	This study <sup>4</sup>

		productive infection by ancestral strains (but not the Alpha or Delta variant)	
$f_1 - f_2$	0.12	Fraction of vaccinated persons who develop an immune response that protects against productive infection by ancestral strains and the Alpha variant (but not the Delta variant)	This study <sup>4</sup>
$f_2$	0.69	Fraction of vaccinated persons who develop an immune response that protects against productive infection by ancestral strains and the Alpha and Delta variants	This study <sup>4</sup>
$\rho_E$	1.1	Relative infectiousness of persons without symptoms in the incubation period of infection	[5]
$\rho_A$	0.9	Relative infectiousness of persons without symptoms in the immune-clearance phase of infection	[5]
$k_L$	0.94 (d <sup>-1</sup> )	Rate constant for progression through each stage of the incubation period of infection <sup>5</sup>	[5]
$k_Q$	0.0038 (d <sup>-1</sup> )	Rate constant for quarantine of infected, non-vaccinated persons	[5]
$j_Q$	0.4 (d <sup>-1</sup> )	Rate constant for self-isolation of symptomatic, non-vaccinated persons	[5]

$c_A$	0.26 (d <sup>-1</sup> )	Rate constant for completion of the immune clearance phase of infection for persons without symptoms	[5]
$c_I$	0.12 (d <sup>-1</sup> )	Rate constant for completion of the immune clearance phase of infection or progression to severe disease for non-vaccinated persons with symptoms	[5]
$c_H$	0.17 (d <sup>-1</sup> )	Rate constant for recovery or progression to death for non-vaccinated persons with severe disease	[5]
$k_V$	0.3 (d <sup>-1</sup> )	Rate constant for progression through each stage of immune response to vaccination <sup>6</sup>	This study <sup>4</sup>

---

571 <sup>1</sup>Fixed parameter estimates are based on information external to the surveillance data used to  
572 infer the adjustable parameter values of Table 1. Estimates are applicable to all metropolitan  
573 statistical areas (MSAs) of interest except for  $S_0$  and the vaccination function  $\mu(t)$ , which are  
574 region-specific. Recall that  $\mu(t)$  is updated daily for consistency with vaccination data.

575 <sup>2</sup>The total population  $S_0$  is MSA-specific. Here,  $S_0$  is given for the New York City MSA. The  
576 initial susceptible population is taken to be the total population. We used  $S_0 = 7,573,136$ ,  
577 7,066,141, and 4,873,019 for the Dallas, Houston, and Phoenix MSAs, respectively.

578 <sup>3</sup>The function  $\mu(t)$  is determined by region-specific vaccination data [38, 39].

579 <sup>4</sup>See the Appendix for more information  
580 study.



581 <sup>5</sup>As in the study of Lin et al. [5], the incubation period is divided into 5 stages (Figure 1), each of  
582 equal duration on average.

583 <sup>6</sup>The immune response to vaccination is divided into 6 stages (Figure 1), each of equal duration  
584 on average. The choice of 6 stages is justified in the Appendix and Appendix Figure 2.

585

586 **Table 4.** Multivariate potential scale reduction factors (PSRFs) and multivariate effective sample  
587 sizes (ESSs) corresponding to the stable Gelman-Rubin statistic for Markov chains generated  
588 using PyBioNetFit for the Dallas, Houston, New York City, and Phoenix Metropolitan Statistical  
589 Areas (MSAs)

MSA	Multivariate PSRF <sup>1</sup>	Multivariate ESS <sup>1</sup>
Dallas	1.0024	211.6
Houston	1.0026	193.2
New York City	1.0023	212.5
Phoenix	1.0033	152.9

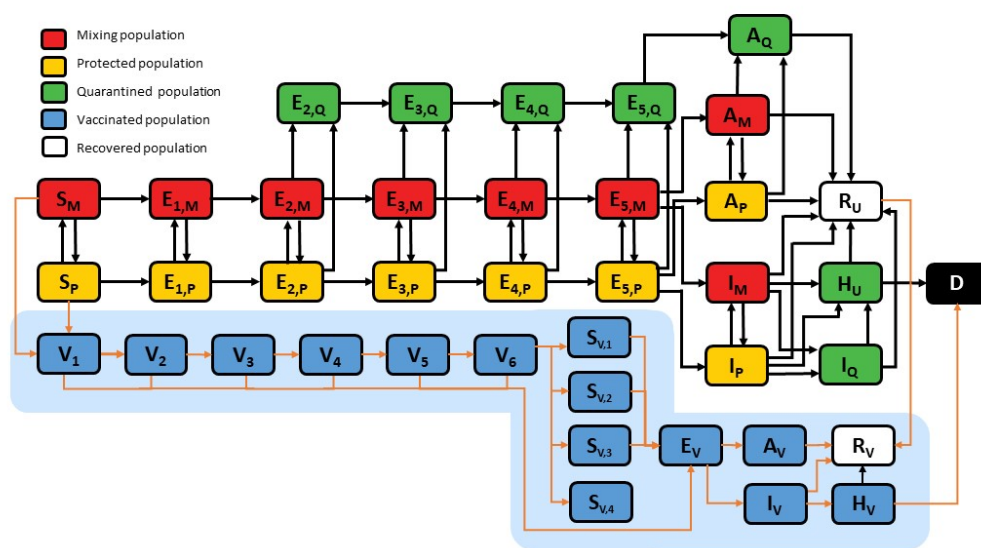
590 <sup>1</sup>Computed using the methodology of Vats and Knudson [42].

591

592

593

594

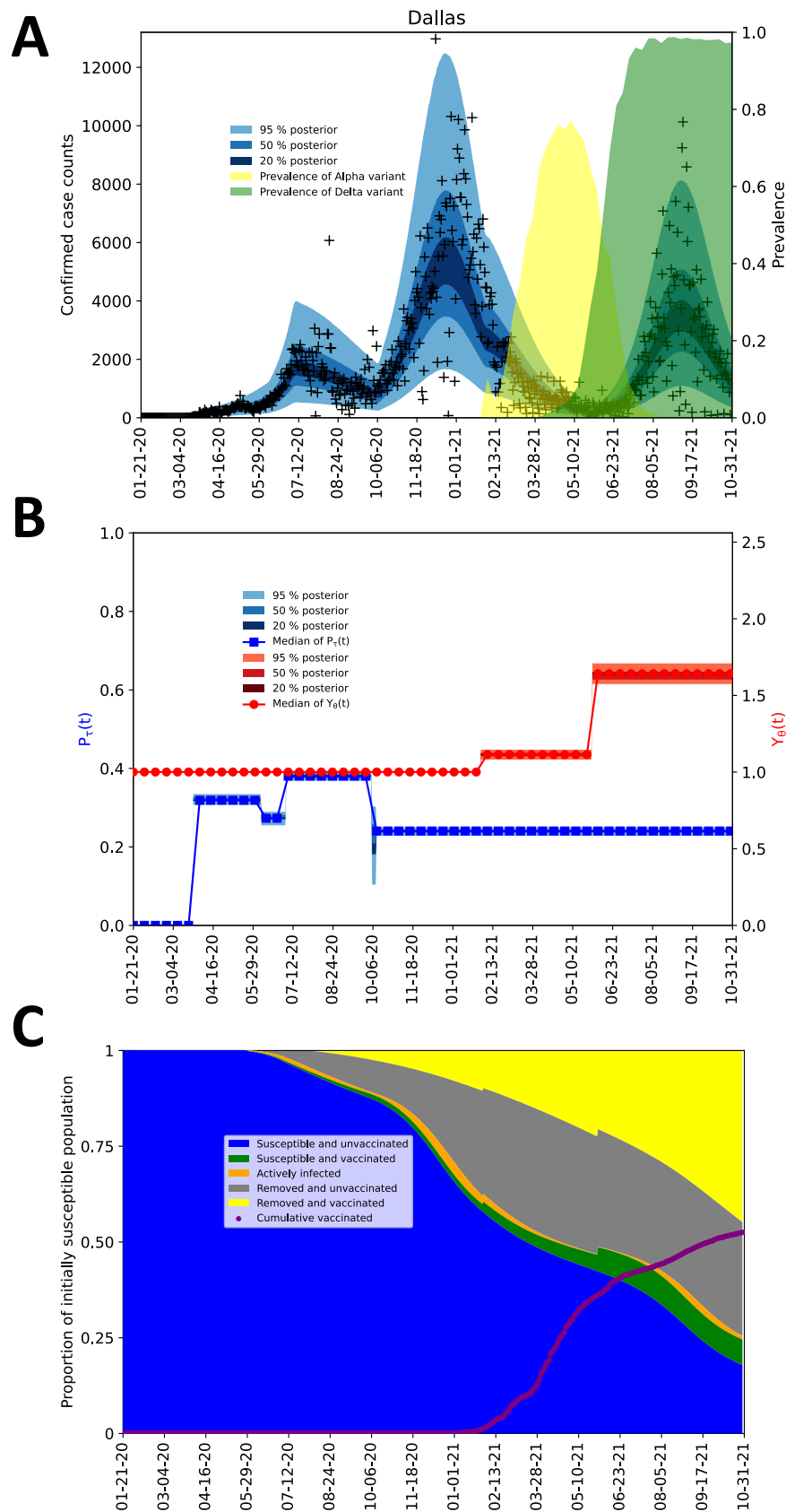


595

596 **Figure 1.** Illustration of compartmental model. The independent variable of the model is time  $t$ .  
 597 The 40 dependent state variables of the model are populations, which are represented as boxes  
 598 with rounded corners. A description of each state variable is given in Appendix Table 1. The 15  
 599 highlighted boxes (on the blue background) represent state variables introduced to capture the  
 600 effects of vaccination and the Alpha and Delta variants. The other 25 boxes represent state  
 601 variables considered in the model of Lin et al. [5]. Arrows connecting boxes represent  
 602 transitions. Each transition represents the movement of persons from one population to another.  
 603 The arrows highlighted in orange represent transitions introduced to capture the effects of  
 604 vaccination and the Alpha and Delta variants. Other arrows represent transitions considered in  
 605 the model of Lin et al. [5]. Each arrow is associated with one or more parameters that  
 606 characterize a rate of movement; these parameters are not shown here but are shown in Appendix  
 607 Figure 1. A full description of the model is given in the Appendix.

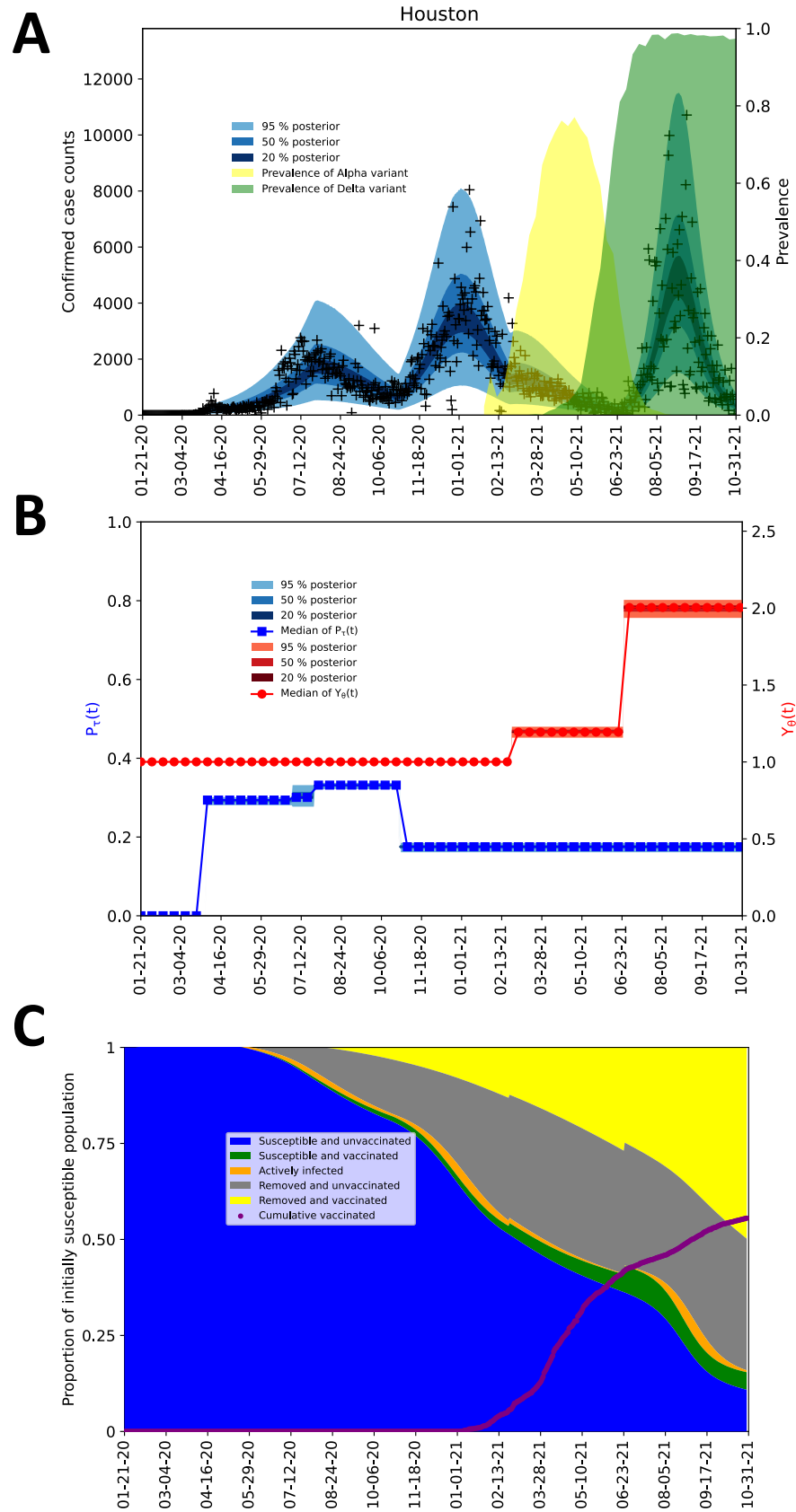
608

609



611 **Figure 2.** Inference results obtained for the MSA surrounding Dallas using regional surveillance  
612 data—daily reports of new COVID-19 cases—available for January 21, 2020 to October 31,  
613 2021. A) Credible intervals of the time-dependent posterior predictive distribution for detected  
614 and reported new cases are shown. The monochrome bands from innermost to outermost indicate  
615 the 20%, 50%, and 95% credible intervals. This colored region all together indicates the 95%  
616 credible interval and can be expected to cover approximately 95% of the data. Empirical case  
617 reports are indicated by black symbols. Alpha prevalence is indicated with a shaded light-yellow  
618 background. Delta prevalence is indicated with a shaded light-green background. B) The social-  
619 distancing stationary setpoint is given by  $P_\tau(t)$  and the variant transmissibility factor is given by  
620  $Y_\theta(t)$ . Note that the values of  $P_\tau(t)$  and  $Y_\theta(t)$  are dimensionless. Credible intervals  
621 corresponding to 1000 samples from the time-dependent posterior predictive distributions are  
622 shown for  $P_\tau(t)$  and  $Y_\theta(t)$ . The curve corresponding to  $Y_\theta(t)$  is monotonically increasing with an  
623 initial value of 1. The curve corresponding to  $P_\tau(t)$  is decreasing from left to right after the start  
624 of social-distancing. C) Inferred changes in the distribution of persons amongst five selected  
625 subpopulations over the course of the local COVID-19 epidemic. The five populations sum to a  
626 constant,  $S_0$ , the total population. Results shown here are based on the parameter values given in  
627 Tables 1 and 3. The five populations are defined as follows: the population of susceptible  
628 unvaccinated persons (blue area) is given by  $S_M + S_P$ , the population of susceptible vaccinated  
629 persons (green area) is given by  $\sum_{i=1}^6 V_i + S_{V,1} + U_{\theta_1}(t)S_{V,2} + U_{\theta_2}(t)S_{V,3}$ , the population of  
630 actively infected persons (orange area) is given by  $H_U + H_V + E_V + \sum_{i=1}^5 (E_{i,M} + E_{i,P} + E_{i,Q}) +$   
631  $\sum_{x \in \{M,P,Q,V\}} (A_x + I_x)$ , the population of removed unvaccinated persons (gray area) is given by  
632  $R_U + D$ , and the population of removed vaccinated persons (yellow area) is given by  $R_V +$   
633  $(1 - U_{\theta_1}(t))S_{V,2} + (1 - U_{\theta_2}(t))S_{V,3} + S_{V,4}$ . Except for  $U_{\theta_1}(t)$  and  $U_{\theta_2}(t)$ , the terms in the

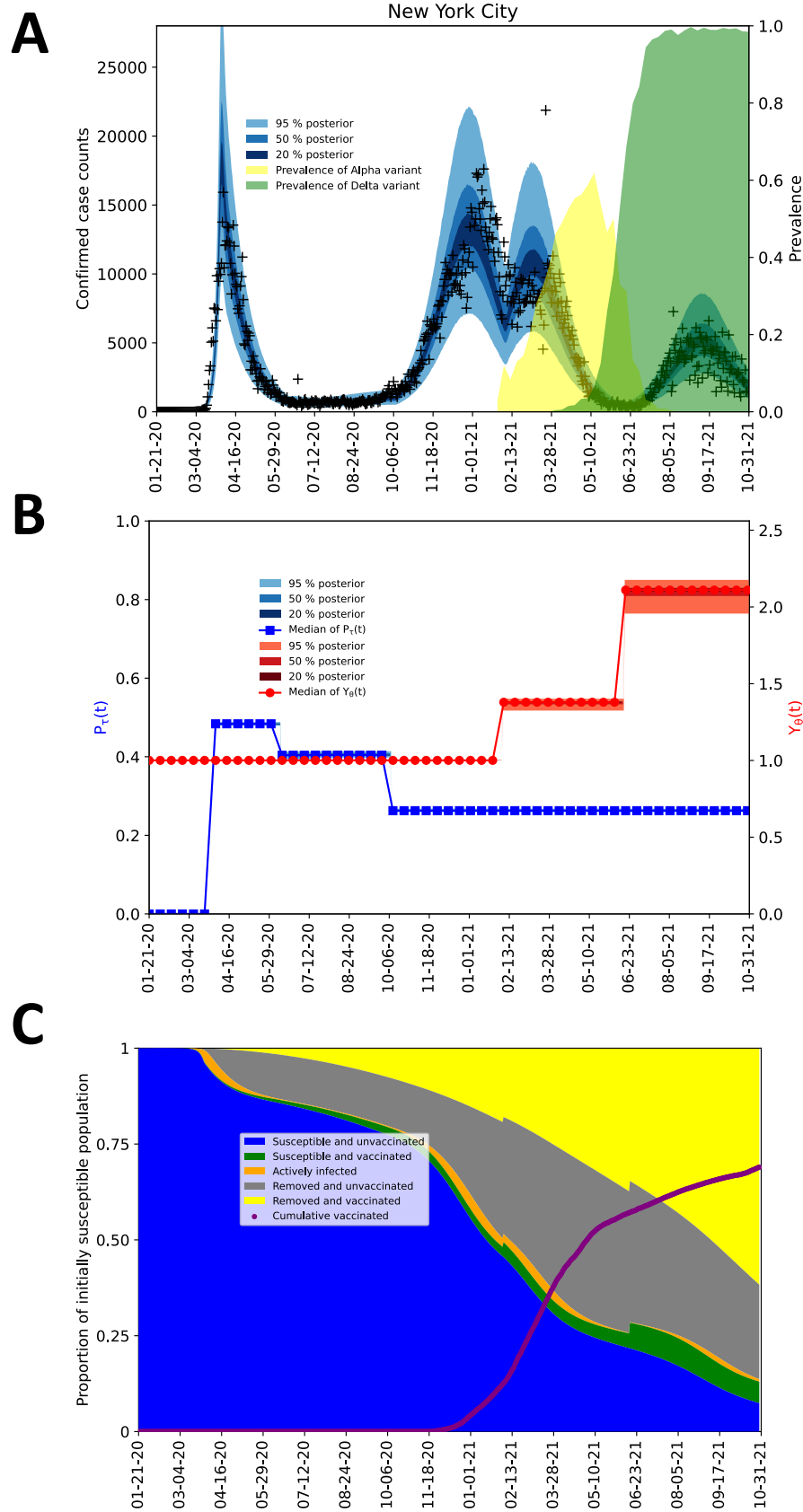
634 above definitions refer to state variables of the compartmental model of Figure 1 and Appendix  
635 Figure 1, which are defined in Appendix Table 1.  $U_{\theta_1}(t)$  and  $U_{\theta_2}(t)$  are unit step functions  
636 (Appendix Equation 33 and 34), which change value from 0 to 1 at time  $t = \theta_1$  and  $t = \theta_2$ ,  
637 respectively. Recall that  $\theta_1$  and  $\theta_2$  are the Alpha and Delta takeoff times. The sum  $\sum_i(\mu_i \times 1 \text{ d})$   
638 (purple dots), which is the empirical cumulative number of completed vaccinations, is shown as  
639 a function of time  $t$ .  
640





642 **Figure 3.** Inference results obtained for the MSA surrounding Houston using regional  
643 surveillance data—daily reports of new COVID-19 cases—available for January 21, 2020 to  
644 October 31, 2021. It should be noted that four anomalous (negative) empirical case counts are  
645 not shown in the plot. A case count of 14,300 cases on September 21, 2020 is not shown in the  
646 plot. See the caption of Figure 2 for additional information.

647



649 **Figure 4.** Inference results obtained for the MSA surrounding New York City using regional  
650 surveillance data—daily reports of new COVID-19 cases—available for January 21, 2020 to  
651 October 31, 2021. It should be noted that a single anomalous (negative) empirical case count is  
652 not shown in the plot. See the caption of Figure 2 for additional information.

653

654

655

656

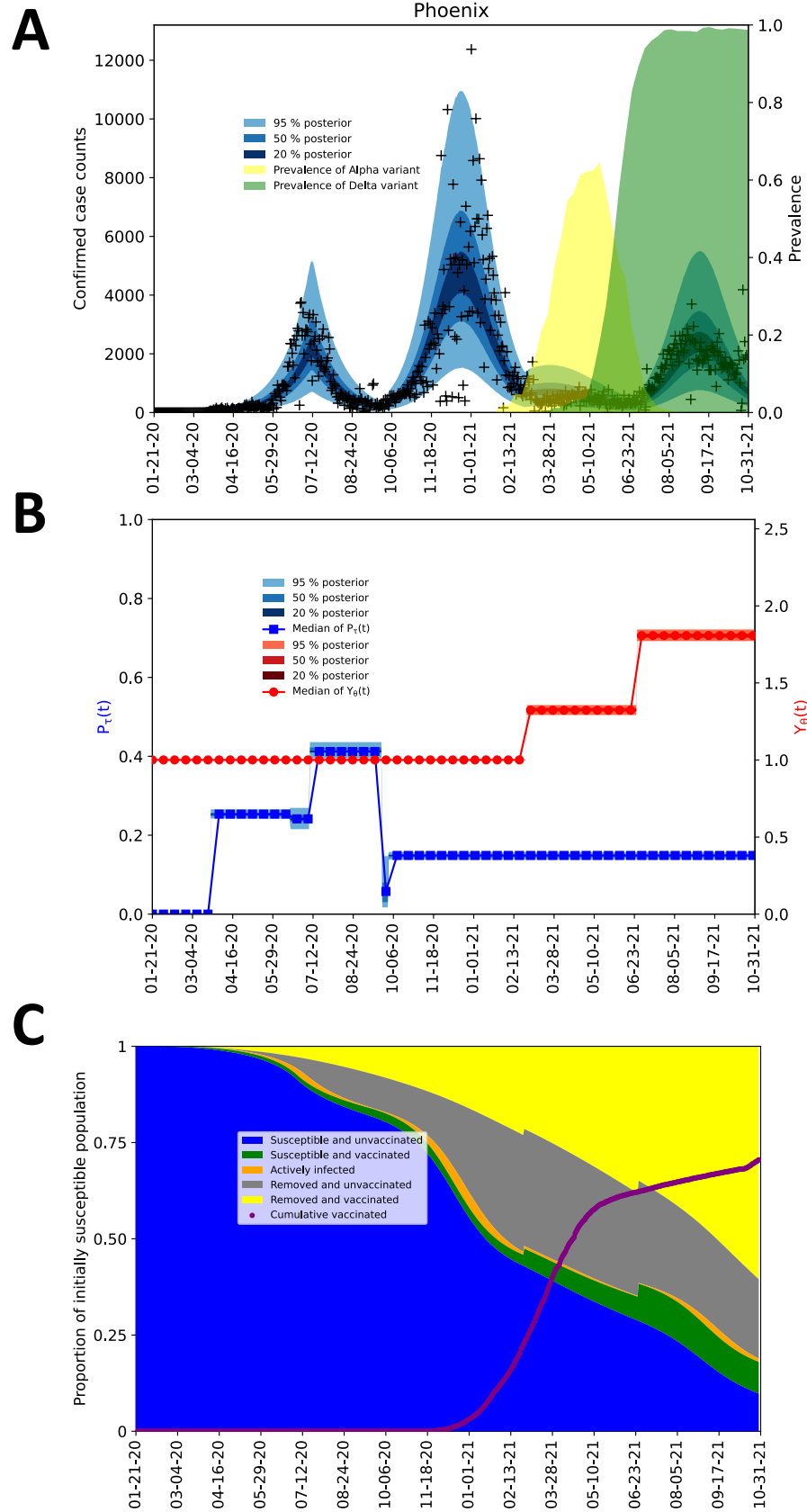
657

658

659

660

661



663 **Figure 5.** Inference results obtained for the MSA surrounding Phoenix using regional  
664 surveillance data—daily reports of new COVID-19 cases—available for January 21, 2020 to  
665 October 31, 2021. It should be noted that two anomalous (negative) empirical case counts are not  
666 shown in the plot. See the caption of Figure 2 for additional information.

667

668

669

670

671

672

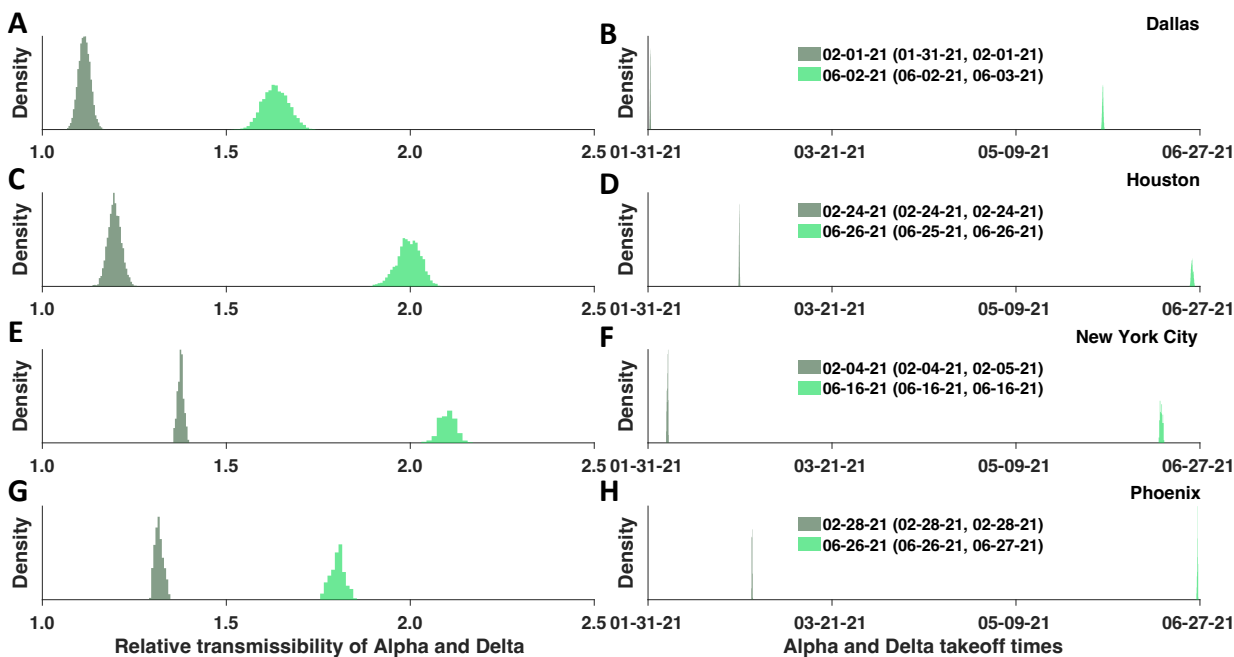
673

674

675

676

677



678

679 **Figure 6.** Marginal posterior distributions of transmissibility factors for Alpha in dark-green and  
680 Delta in light-green (left panels) and takeoff times for Alpha and Delta (right panels) in four  
681 MSAs centered on (A,B) Dallas, (C,D) Houston, (E,F) New York City, and (G,H) Phoenix.  
682 Inferences are based on daily reports of new cases from January 21, 2020 to October 31, 2021.  
683 For each of the right panels, the 95% credible intervals for Alpha and Delta takeoff times are  
684 indicated in parentheses, and the MAP estimate for a given region is indicated to the left of the  
685 credible interval.

686

## 687 APPENDIX

### 688 Imputation of Missing Daily Case Counts

689 By October 31, 2021, many regions in the US were not reporting new detected COVID-  
690 19 cases on a strictly daily basis. When one or more daily case counts were not available, we  
691 imputed daily case counts on the basis of a linear fit to the two nearest available cumulative case

692 counts. This approach has the effect of evenly distributing case counts across the days for which  
 693 daily reports are unavailable.

#### 694 **Equations of the Compartmental Model**

695 The compartmental model, which is illustrated in Figure 1 and Appendix Figure 1,  
 696 consists of the following 40 ordinary differential equations (ODEs):

$$\frac{dS_M}{dt} = -\beta Y_\theta(t) \left(\frac{S_M}{S_0}\right) (\phi_M(t, \rho) + m_b \phi_P(t, \rho)) \quad (1)$$

$$- U_\sigma(t) \Lambda_\tau(t) [P_\tau(t) S_M - (1 - P_\tau(t)) S_P] - \mu(t) S_0 \left(\frac{S_M}{\phi_V(t)}\right)$$

$$\frac{dS_P}{dt} = -m_b \beta Y_\theta(t) \left(\frac{S_P}{S_0}\right) (\phi_M(t, \rho) + m_b \phi_P(t, \rho)) \quad (2)$$

$$+ U_\sigma(t) \Lambda_\tau(t) [P_\tau(t) S_M - (1 - P_\tau(t)) S_P] - \mu(t) S_0 \left(\frac{S_P}{\phi_V(t)}\right)$$

$$\frac{dE_{1,M}}{dt} = \beta Y_\theta(t) \left(\frac{S_M}{S_0}\right) (\phi_M(t, \rho) + m_b \phi_P(t, \rho)) - k_L E_{1,M} \quad (3)$$

$$- U_\sigma(t) \Lambda_\tau(t) [P_\tau(t) E_{1,M} - (1 - P_\tau(t)) E_{1,P}]$$

$$\frac{dE_{1,P}}{dt} = m_b \beta Y_\theta(t) \left(\frac{S_P}{S_0}\right) (\phi_M(t, \rho) + m_b \phi_P(t, \rho)) - k_L E_{1,P} \quad (4)$$

$$+ U_\sigma(t) \Lambda_\tau(t) [P_\tau(t) E_{1,M} - (1 - P_\tau(t)) E_{1,P}]$$

$$\frac{dE_{i,M}}{dt} = k_L E_{i-1,M} - k_L E_{i,M} - k_Q E_{i,M} - U_\sigma(t) \Lambda_\tau(t) [P_\tau(t) E_{i,M} - (1 - P_\tau(t)) E_{i,P}], \quad (5)$$

for  $i = 2, 3, 4, 5$

$$\frac{dE_{i,P}}{dt} = k_L E_{i-1,P} - k_L E_{i,P} - k_Q E_{i,P} + U_\sigma(t) \Lambda_\tau(t) [P_\tau(t) E_{i,M} - (1 - P_\tau(t)) E_{i,P}], \quad (6)$$

for  $i = 2, 3, 4, 5$

$$\frac{dE_{2,Q}}{dt} = k_Q (E_{2,M} + E_{2,P}) - k_L E_{2,Q} \quad (7)$$

$$\frac{dE_{i,Q}}{dt} = k_Q (E_{i,M} + E_{i,P}) + k_L E_{i-1,Q} - k_L E_{i,Q}, \text{ for } i = 3, 4, 5 \quad (8)$$

$$\frac{dA_M}{dt} = f_A k_L E_{5,M} - k_Q A_M - U_\sigma(t) \Lambda_\tau(t) [P_\tau(t) A_M - (1 - P_\tau(t)) A_P] - c_A A_M \quad (9)$$

$$\frac{dA_P}{dt} = f_A k_L E_{5,P} - k_Q A_P + U_\sigma(t) \Lambda_\tau(t) [P_\tau(t) A_M - (1 - P_\tau(t)) A_P] - c_A A_P \quad (10)$$

$$\frac{dA_Q}{dt} = f_A k_L E_{5,Q} + k_Q (A_M + A_P) - c_A A_Q \quad (11)$$

$$\begin{aligned} \frac{dI_M}{dt} = & (1 - f_A) k_L E_{5,M} - (k_Q + j_Q) I_M - U_\sigma(t) \Lambda_\tau(t) [P_\tau(t) I_M - (1 - P_\tau(t)) I_P] \\ & - c_I I_M \end{aligned} \quad (12)$$

$$\frac{dI_P}{dt} = (1 - f_A) k_L E_{5,P} - (k_Q + j_Q) I_P + U_\sigma(t) \Lambda_\tau(t) [P_\tau(t) I_M - (1 - P_\tau(t)) I_P] - c_I I_P \quad (13)$$

$$\frac{dI_Q}{dt} = (1 - f_A) k_L E_{5,Q} + (k_Q + j_Q) (I_M + I_P) - c_I I_Q \quad (14)$$

$$\frac{dH_U}{dt} = f_H c_I (I_M + I_P + I_Q) - c_H H_U \quad (15)$$

$$\frac{dD}{dt} = (1 - f_R) c_H H_U + (1 - f_R) c_H H_V \quad (16)$$



$$\frac{dR_U}{dt} = c_A(A_M + A_P + A_Q) + (1 - f_H)c_I(I_M + I_P + I_Q) + f_R c_H H_U - \mu(t)S_0 \left( \frac{R_U}{\phi_V(t)} \right) \quad (17)$$

$$\frac{dV_1}{dt} = \mu(t)S_0 \left( \frac{S_M + S_P}{\phi_V(t)} \right) - k_V V_1 - \beta Y_\theta(t) \left( \frac{V_1}{S_0} \right) (\phi_M(t, \rho) + m_b \phi_P(t, \rho)) \quad (18)$$

$$\frac{dV_i}{dt} = k_V V_{i-1} - k_V V_i - \beta Y_\theta(t) \left( \frac{V_i}{S_0} \right) (\phi_M(t, \rho) + m_b \phi_P(t, \rho)), \quad (19)$$

for  $i = 2, 3, 4, 5, 6$

$$\frac{dS_{V,1}}{dt} = (1 - f_0)k_V V_6 - \beta Y_\theta(t) \left( \frac{S_{V,1}}{S_0} \right) (\phi_M(t, \rho) + m_b \phi_P(t, \rho)) \quad (20)$$

$$\frac{dS_{V,2}}{dt} = (f_0 - f_1)k_V V_6 - U_{\theta_1}(t)\beta Y_\theta(t) \left( \frac{S_{V,2}}{S_0} \right) (\phi_M(t, \rho) + m_b \phi_P(t, \rho)) \quad (21)$$

$$\frac{dS_{V,3}}{dt} = (f_1 - f_2)k_V V_6 - U_{\theta_2}(t)\beta Y_\theta(t) \left( \frac{S_{V,3}}{S_0} \right) (\phi_M(t, \rho) + m_b \phi_P(t, \rho)) \quad (22)$$

$$\frac{dS_{V,4}}{dt} = f_2 k_V V_6 \quad (23)$$

$$\frac{dE_V}{dt} = \beta Y_\theta(t) \left( \frac{1}{S_0} \right) (\phi_M(t, \rho) + m_b \phi_P(t, \rho)) \quad (24)$$

$$\cdot \sum_{i=1}^6 (V_i + S_{V,1} + U_{\theta_1}(t)S_{V,2} + U_{\theta_2}(t)S_{V,3}) - \left( \frac{k_L}{5} \right) E_V$$

$$\frac{dA_V}{dt} = f_A \left( \frac{k_L}{5} \right) E_V - c_A A_V \quad (25)$$

$$\frac{dI_V}{dt} = (1 - f_A) \left( \frac{k_L}{5} \right) E_V - c_I I_V \quad (26)$$

$$\frac{dH_V}{dt} = m_h f_H c_I I_V - c_H H_V \quad (27)$$

$$\frac{dR_V}{dt} = \mu(t) S_0 \left( \frac{R_U}{\phi_V(t)} \right) + c_A A_V + (1 - m_h f_H) c_I I_V + f_R c_H H_V \quad (28)$$

697 In these equations, the independent variable is time  $t$ , and the state variables ( $S_M, S_P,$   
698  $E_{1,M}, \dots, E_{5,M}, E_{1,P}, \dots, E_{5,P}, E_{2,Q}, \dots, E_{5,Q}, A_M, A_P, A_Q, I_M, I_P, I_Q, H_U, D, R_U, V_1, \dots, V_6,$   
699  $S_{V,1}, \dots, S_{V,4}, E_V, A_V, I_V, H_V,$  and  $R_V$ ) represent 40 (sub)populations (Appendix Table 1), which  
700 change over time. Thus, each ODE in Equations (1)–(28) defines the time-rate of change of a  
701 population, i.e., the time-rate of change of a state variable. Note that Equations (5), (6), (8) and  
702 (19) define 4, 4, 3, and 5 ODEs of the model, respectively. The model is formulated such that  $S_0,$   
703 the total population, is a constant. Thus, the model does not account for birth, death for reasons  
704 other than COVID-19, immigration, or emigration.

705 The initial condition associated with Equations (1)–(28) is taken to be  $S_M(t_0) = S_0,$   
706  $I_M(t_0) = I_0 = 1,$  and all other populations ( $S_P, E_{1,M}, \dots, E_{5,M}, E_{1,P}, \dots, E_{5,P}, E_{2,Q}, \dots, E_{5,Q}, A_M,$   
707  $A_P, A_Q, I_P, I_Q, H_U, D, R_U, V_1, \dots, V_6, S_{V,1}, \dots, S_{V,4}, E_V, A_V, I_V, H_V,$  and  $R_V$ ) are equal to 0. Recall  
708 that the parameter  $S_0$  denotes the total region-specific population size. Thus, we assume that the  
709 entire population is susceptible at the start of the local epidemic at time  $t = t_0 > 0,$  where time  
710  $t = 0$  corresponds to 00:00 hours (midnight) on January 21, 2020. The parameter  $I_0$  denotes the  
711 number of infectious symptomatic persons at the start of the regional epidemic.

712 In the model, the parameters  $\beta, k_L, k_Q, j_Q, c_A, c_I, c_H,$  and  $k_V$  are positive-valued rate  
713 constants (all with units of  $d^{-1}$ ), and the parameters  $m_b, m_h, f_A, f_H, f_R, f_0 \geq f_1, f_1 \geq f_2,$  and  $f_2$   
714 are (dimensionless) fractions. Brief definitions of parameters are given in Tables 1 and 2.

715 In the model, the quantities  $\phi_M(t, \rho)$ ,  $\phi_P(t, \rho)$ , and  $\phi_V(t)$  are functions of (time-  
716 dependent) state variables (as defined below), which represent the population of infectious  
717 persons who are mixing freely (i.e., not practicing social-distancing), the population of infectious  
718 persons who are practicing social-distancing (i.e., adopting disease-avoiding behaviors), and the  
719 population of persons eligible for vaccination, respectively. The quantities  $\phi_M(t, \rho)$  and  $\phi_P(t, \rho)$   
720 are also functions of  $\rho \equiv (\rho_E, \rho_A)$ , where  $\rho_E$  ( $\rho_A$ ) is a dimensionless ratio representing the  
721 infectiousness of persons in the incubation phase of infection (the infectiousness of  
722 asymptomatic persons in the immune clearance phase of infection) relative to the infectiousness  
723 of symptomatic persons with the same social-distancing behavior. The quantity  $\phi_V(t)$  represents  
724 the population of persons eligible for vaccination.

$$\phi_M(t, \rho) = I_M + I_V + \rho_E(E_{2,M} + E_{3,M} + E_{4,M} + E_{5,M} + E_V) + \rho_A(A_M + A_V) \quad (29)$$

$$\phi_P(t, \rho) = I_P + \rho_E(E_{2,P} + E_{3,P} + E_{4,P} + E_{5,P}) + \rho_A A_P \quad (30)$$

$$\phi_V(t) = S_M + S_P + \sum_{i=1}^5 (E_{i,M} + E_{i,P}) + A_M + A_P + R_U \quad (31)$$

725 The state variables that appear in these equations represent time-varying populations. Recall that  
726 state variables are defined in Appendix Table 1.

727 In the model, the quantities  $U_\sigma(t)$ ,  $U_{\theta_1}(t)$ , and  $U_{\theta_2}(t)$  are unit step functions. The values  
728 of these functions change from 0 to 1 at the times indicated by the subscripts:  $\sigma$ , the onset time of  
729 the initial social-distancing period;  $\theta_1$ , the takeoff time of SARS-CoV-2 variant Alpha; and  $\theta_2$ ,  
730 the takeoff time of SARS-CoV-2 variant Delta.

$$U_{\sigma}(t) = \begin{cases} 0 & t < \sigma \\ 1 & t \geq \sigma \end{cases} \quad (32)$$

$$U_{\theta_1}(t) = \begin{cases} 0 & t < \theta_1 \\ 1 & t \geq \theta_1 \end{cases} \quad (33)$$

$$U_{\theta_2}(t) = \begin{cases} 0 & t < \theta_2 \\ 1 & t \geq \theta_2 \end{cases} \quad (34)$$

731 As indicated in Appendix Figure 1, transitions from  $S_M$  to  $S_P$ , for example, become possible at  
732 time  $t = \sigma$ , transitions from  $S_{V,2}$  to  $E_V$  become possible at time  $t = \theta_1$ , and transitions from  $S_{V,3}$   
733 to  $E_V$  become possible at time  $t = \theta_2$ .

734 In the model, the quantities  $P_{\tau}(t)$ , and  $\Lambda_{\tau}(t)$  are step functions that characterize changes  
735 in social-distancing. The value of  $P_{\tau}(t)$  determines a setpoint steady-state fraction of susceptible  
736 persons who are practicing social-distancing. The value of  $\Lambda_{\tau}(t)$  determines a time scale for  
737 approach to the setpoint steady state. Changes in the values of  $P_{\tau}(t)$  and  $\Lambda_{\tau}(t)$  occur  
738 coordinately. These changes occur at times  $t = \sigma, \tau_1, \dots, \tau_n$ , where  $n$  is the number of distinct  
739 social-distancing periods beyond an initial social-distancing period. Initially, we took  $n = 7$  (i.e.,  
740 8 total social-distancing stages). The value of  $n$  is decremented by 1 (at an inferred time) if  $n \leftarrow$   
741  $n - 1$  is determined to be admissible by a model-selection procedure, which is described below.  
742 It should be noted that  $p_0, p_1, \dots, p_n$  are parameters of  $P_{\tau}(t)$  and that  $\lambda_0, \lambda_1, \dots, \lambda_n$  are parameters  
743 of  $\Lambda_{\tau}(t)$ . These parameters determine the non-zero values of the step functions over different  
744 periods. For example,  $p_1$  is the value of  $P_{\tau}(t)$  and  $\lambda_1$  is the value of  $\Lambda_{\tau}(t)$  for the period  $t \in$   
745  $[\tau_1, \tau_2)$ .

$$P_{\tau}(t) = \begin{cases} p_0 & \sigma \leq t < \tau_1 \\ p_1 & \tau_1 \leq t < \tau_2 \\ \vdots & \vdots \\ p_n & \tau_n \leq t < \infty \end{cases} \quad (35)$$

$$\Lambda_{\tau}(t) = \begin{cases} \lambda_0 & \sigma \leq t < \tau_1 \\ \lambda_1 & \tau_1 \leq t < \tau_2 \\ \vdots & \vdots \\ \lambda_n & \tau_n \leq t < \infty \end{cases} \quad (36)$$

746 The values of  $P_{\tau}(t)$  and  $\Lambda_{\tau}(t)$  are 0 for  $t < \sigma$ .

747 In the model, the quantity  $\mu(t)$  is a piecewise linear interpolant to a function  $\tilde{\mu}(t)$  that  
748 characterizes the current rate of vaccination. The value of  $\tilde{\mu}(t)$  is determined by the empirical  
749 daily rate of vaccination, and thus, can vary from day to day. Daily vaccination data were  
750 extracted from the Covid Act Now database and the *Democrat and Chronicle* newspaper [2]  
751 using the Covid Act Now Data API [1] and web scraping. We will use  $\mu_i$  to refer to the value of  
752  $\tilde{\mu}(t)$  for  $t \in [t_i, t_{i+1})$ , where time  $t_i$  corresponds to midnight on the  $i$ th day after January 21,  
753 2020.

$$\tilde{\mu}(t) = \mu_i \text{ for } t \in [t_i, t_{i+1}) \quad (37)$$

754 Settings for  $\mu_i$  were made such that  $\mu_i S_0 \times 1 \text{ d}$  is the number of vaccinations completed in the  
755 nearest past 1-d period according to Covid Act Now data and the *Democrat and Chronicle*  
756 newspaper.

757 In the model, the quantity  $Y_{\theta}(t)$  is a step function that quantifies how disease  
758 transmissibility increases upon emergence of SARS-CoV-2 variants Alpha and Delta. Initially,  
759  $Y_{\theta}(t) = 1$ . The value of  $Y_{\theta}(t)$  is increased (by an inferred factor greater than 1 at an inferred  
760 time,  $\theta_1$  or  $\theta_2$ ) if the change is determined to be admissible by a model-selection procedure,

761 which is described below. It should be noted that  $y_1$  and  $y_2$  are parameters of  $Y_\theta(t)$ . These  
762 parameters determine the values of the step function  $Y_\theta(t)$  over different periods:  $y_1$  is the value  
763 of  $Y_\theta(t)$  for the period  $t \in [\theta_1, \theta_2)$  and  $y_2$  is the value of  $Y_\theta(t)$  for the remaining period of  
764 concern (with Delta as the dominant circulating viral strain).

$$Y_\theta(t) = \begin{cases} y_0 & \theta_0 \leq t < \theta_1 \\ y_1 & \theta_1 \leq t < \theta_2 \\ \vdots & \vdots \\ y_m & \theta_m \leq t < \infty \end{cases} \quad (38)$$

765 where  $m$  is the number of viral variants that have emerged up to the current time,  $\theta_0 \equiv t_0$ , and  
766  $y_0 \equiv 1$ . Here, we consider  $m = 2$ .

### 767 Equations of the Auxiliary Measurement Model

768 As in the study of Lin et al. [3], we assumed that only symptomatic persons are detected  
769 in testing. The accumulation of symptomatic persons is governed by

$$\frac{dC_S}{dt} = (1 - f_A) \left[ k_L (E_{5,M} + E_{5,P} + E_{5,Q}) + \left( \frac{k_L}{5} \right) E_V \right] \quad (39)$$

770 where  $C_S(t)$  is the cumulative number of symptomatic persons (cases) at time  $t$ . Here, unlike in  
771 the study of Lin et al. [3], the expression for  $C_S(t)$  accounts for exposed persons in quarantine.  
772 Initially,  $C_S = 0$ . We numerically integrated Appendix Equation (39) together with the ODEs of  
773 the compartmental model. From the trajectory for  $C_S$ , we derive a prediction for the expected  
774 number of new COVID-19 cases reported on calendar date  $\mathcal{D}_i$ ,  $I(t_i, t_{i+1})$ , using the following  
775 equation:

$$I(t_i, t_{i+1}) = f_D [C_S(t_{i+1}) - C_S(t_i)] \quad (40)$$

776 where  $f_D$  is an adjustable region-specific parameter characterizing the time-averaged fraction of  
777 symptomatic cases detected and reported,  $t_i$  corresponds to midnight on the  $i$ th day after January  
778 21, 2020, and  $t_{i+1} - t_i$  is the reporting interval (1 d). We compare  $I(t_i, t_{i+1})$  to  $\delta C_i$ , the number  
779 of new cases reported on calendar date  $\mathcal{D}_i$ .

## 780 **Definition of the Likelihood Function**

781 Bayesian inference relies on the definition of a likelihood, which here serves the purpose  
782 of assessing the compatibility of available surveillance data with adjustable (free) parameter  
783 values. Let us use  $\{\delta C_i\}_{i=0}^d$  to denote the daily case reporting data available between 0 and  $d$   
784 days after midnight on January 21, 2020 (the date of the first case report in the US) and let  
785  $D = \{\delta C_i\}_{i=0}^d$ . Let us use  $\theta_F(n, m)$  to denote the set of adjustable (free) parameter values. The  
786 number of adjustable parameters,  $|\theta_F|$ , depends on  $n$ , the number of social-distancing periods  
787 considered beyond an initial social-distancing period, and  $m$ , the number of SARS-CoV-2  
788 variants under consideration. As in the study of Lin et al. [3], we assume that  $\delta C_i$ , the number of  
789 new COVID-19 cases detected over a 1-d period and reported on calendar date  $\mathcal{D}_i$  for a given  
790 region, is a random variable and its expected value follows a model-derived deterministic  
791 trajectory given by  $I(t_i, t_{i+1})$  (Equation 40). We assume that day-to-day fluctuations in the  
792 random variable are independent and characterized by a negative binomial distribution  $\text{NB}(r, q_i)$ ,  
793 which has two parameters,  $r > 0$  and  $q_i \in (0, 1)$ . Note that  $\mathbb{E}[\text{NB}(r, q_i)] = r(1 - q_i)/q_i$ . We  
794 assume that this distribution has the same dispersion parameter  $r$  across all case reports. With  
795 these assumptions, we arrive at the following likelihood function:

$$\mathcal{L}(\theta_F(n, m); \{\delta C_i\}_{i=0}^d) = \prod_{i=0}^d \mathcal{L}_i(\theta_F(n, m); \delta C_i) \quad (41)$$

796 where

$$\mathcal{L}_i(\theta_F(n, m); \delta C_i) = \text{nbinom}(\delta C_i; r, q_i) = \binom{\delta C_i + r - 1}{\delta C_i - 1} q_i^r (1 - q_i)^{\delta C_i} \quad (42)$$

797 and

$$q_i = \frac{r}{r + I(t_i, t_{i+1})}. \quad (43)$$

798 In these equations,  $i$  is an integer indicating the date  $\mathcal{D}_i$  and period  $(t_i, t_{i+1})$ ;  $\text{nbinom}(\delta C_i; r, q_i)$   
799 is the probability mass function of the negative binomial distribution  $\text{NB}(r, q_i)$ , and  $\theta_F(n, m) =$   
800  $\{t_0, \beta, \sigma, \tau_1, \dots, \tau_n, p_0, p_1, \dots, p_n, \lambda_0, \lambda_1, \dots, \lambda_n, \theta_1, \dots, \theta_m, y_1, \dots, y_m, f_D, r\}$  for  $n \geq 1$  and  $m \geq 1$ ;  
801  $\theta_F(0,0) = \{t_0, \beta, p_0, \lambda_0, f_D, r\}$ .

## 802 Parameters

803 Each model parameter is briefly described in Tables 1–3. These parameters have either  
804 fixed values or adjustable values (i.e., values inferred from surveillance data). The fixed values  
805 may be universal (i.e., applicable to all MSAs of interest) or MSA-specific. All inferred  
806 parameter values are MSA-specific. In addition, the measurement model (Appendix Equations  
807 39 and 40) has one adjustable MSA-specific parameter,  $f_D$ , and the likelihood function  
808 (Appendix Equations 41–43) has one adjustable MSA-specific parameter,  $r$ . Values of the other  
809 likelihood parameters,  $q_0, \dots, q_d$ , are constrained and are determined using Appendix Equation  
810 43.



811 **Original model of Lin et al.**

812 The model shares  $19 + 3n$  parameters with the model of Lin et al. [3], including  
813 parameters that define the initial condition ( $t_0$ ,  $I_0$ , and  $S_0$ ). (Recall that  $n$  is the number of social-  
814 distancing periods being considered beyond the initial social-distancing period.) The shared  
815 parameters are  $t_0$ ,  $I_0$ ,  $S_0$ ,  $\beta$ ,  $\sigma$ ,  $\tau_1, \dots, \tau_n$ ,  $p_0, \dots, p_n$ ,  $\lambda_0, \dots, \lambda_n$ ,  $\rho_A$ ,  $\rho_E$ ,  $m_b$ ,  $f_A$ ,  $f_H$ ,  $f_R$ ,  $k_L$ ,  $k_Q$ ,  $j_Q$ ,  
816  $c_A$ ,  $c_H$ , and  $c_I$ . As in the study of Lin et al. [3], we inferred MSA-specific values for the  
817 following parameters:  $t_0$ ,  $\beta$ ,  $\sigma$ ,  $p_0, \dots, p_n$ , and  $\lambda_0, \dots, \lambda_n$ . We also inferred MSA-specific values  
818 for  $\tau_1, \dots, \tau_n$  provided that  $n \geq 1$ . As in the study of Lin et al. [3], the remaining 14 parameters  
819 shared between the old and new models ( $I_0$ ,  $S_0$ ,  $\rho_A$ ,  $\rho_E$ ,  $m_b$ ,  $f_A$ ,  $f_H$ ,  $f_R$ ,  $k_L$ ,  $k_Q$ ,  $j_Q$ ,  $c_A$ ,  $c_H$ , and  $c_I$ )  
820 were taken to have fixed values, and we adopted the settings of Lin et al. [3] for these parameters  
821 (Table 3). These settings are universal except for the setting for  $S_0$ , the total population, which is  
822 MSA-specific.

823 **Extension of the model of Lin et al.**

824 Our extension of the model of Lin et al. [3] introduces  $5 + 2(m + 1) + (d + 1)$   
825 parameters, where  $m$  ( $= 0, 1$  or  $2$ ) is the number of SARS-CoV-2 variants being considered and  
826  $d$  is the number of days since January 21, 2020:  $\theta_0, \dots, \theta_m$ ,  $y_0, \dots, y_m$ ,  $m_h$ ,  $f_0$ ,  $f_1$ ,  $f_2$ ,  $k_V$ , and  
827  $\mu_0, \dots, \mu_d$ . The  $\theta$  and  $y$  parameters are variant takeover times and transmissibility factors,  
828 respectively, except that the value of  $\theta_0$  is defined as  $t_0$  and the value of  $y_0$  is defined as 1. The  
829 Alpha transmissibility factor  $y_1$ , the Alpha takeoff time  $\theta_1$ , the Delta transmissibility factor  $y_2$ ,  
830 and the Delta takeoff time  $\theta_2$  were inferred for each MSA with  $m = 2$  (cf. Table 1). The  
831 transmissibility factors were each constrained to be greater than or equal to 1. The settings for  
832  $\mu_0, \dots, \mu_d$  are empirical and MSA-specific. Each  $\mu_i$  is set such that  $\mu_i S_0 \times 1$  d is the number of

833 vaccinations completed over the past 1-d period nearest to the  $i$ th day after January 21, 2020. As  
834 noted earlier, the number of completed vaccinations was obtained for each MSA from Covid Act  
835 Now and the *Democrat and Chronicle* newspaper [2] using the Covid Act Now Data API [1] and  
836 web scraping. In the spreadsheet accessed daily from Covid Act Now, the  
837 ‘metrics.vaccinationsCompletedRatio’ column gives the percentage of the total population that  
838 has received the recommended number of doses: one dose for Ad26.CoV2.S (Janssen, Johnson  
839 & Johnson) or two doses for mRNA-1273 (Moderna) and BNT162b2 (Pfizer-BioNTech). As a  
840 simplification, we considered all completed vaccinations to be equivalent. The parameters  $m_h$ ,  
841  $f_0$ ,  $f_1$ ,  $f_2$ , and  $k_V$  were assigned fixed universal estimates (Table 3). Each of these estimates is  
842 explained below.

#### 843 **Estimation of $k_V$**

844 The rate constant  $k_V$  characterizes the rate of transition out of compartment  $V_i$  for  $i =$   
845  $1, \dots, n_V$ . Recall that, in the model, susceptible persons enter  $V_1$  upon vaccination (Figure 1,  
846 Appendix Figure 1). The values of  $n_V (= 6)$  and  $k_V (= 0.3 \text{ d}^{-1})$  were selected so that the time a  
847 person spends in  $V_1, \dots, V_{n_V}$ , which we will denote as  $t_V$ , is distributed approximately the same as  
848  $\tilde{t}_V$ , the waiting time between vaccination of a previously uninfected person and detection of  
849 vaccine-induced SARS-CoV-2-specific IgG antibodies [4] (Appendix Figure 2). According to  
850 the model, the time that a person spends in  $V_1, \dots, V_{n_V}$  is distributed according to the probability  
851 density function  $f(t_V; n_V, k_V) = k_V^{n_V} t_V^{n_V-1} e^{-k_V t_V} / (n_V - 1)!$ , i.e.,  $t_V$  is Erlang distributed with  
852 shape parameter  $n_V = 6$  and rate parameter  $k_V = 0.3 \text{ d}^{-1}$ . As can be seen in Appendix Figure 2,  
853 the cumulative distribution function of this Erlang distribution reasonably captures the empirical  
854 cumulative distribution of waiting times observed in the longitudinal study of Korodi et al. [4].

855 Thus, in the model, passage through  $V_1, \dots, V_6$  with rate constant  $k_V = 0.3 \text{ d}^{-1}$  accounts for the  
856 variable and significantly non-zero amount of time required for development of a protective  
857 antibody response after vaccination.

### 858 **Estimation of $f_0, f_1$ , and $f_2$**

859 The parameters  $f_0 > f_1, f_1 > f_2$ , and  $f_2$  are fractions that characterize the average effectiveness  
860 of vaccines used in the US and that determine the sizes of (mutually exclusive) subpopulations of  
861 vaccinated persons having different susceptibilities to productive infection (i.e., an infection that  
862 can be transmitted to others):  $S_{V,1}, S_{V,2}, S_{V,3}$ , and  $S_{V,4}$  (Figure 1, Appendix Figure 1). We assume  
863 that persons in the  $S_{V,1}$  subpopulation are susceptible to productive infection by any of the viral  
864 strains considered, and in contrast, we assume that persons in the  $S_{V,4}$  subpopulation are  
865 susceptible to productive infection by none of the viral strains considered. Persons in the  $S_{V,2}$   
866 subpopulation are taken to be susceptible to productive infection by the Alpha and Delta variants  
867 but not viral strains in circulation before the emergence of Alpha. Persons in the  $S_{V,3}$   
868 subpopulation are taken to be susceptible to productive infection by the Delta variant but not the  
869 Alpha variant or viral strains in circulation before the emergence of Alpha. The quantity  $1 - f_0$   
870 defines the fraction of vaccinated persons who enter the  $S_{V,1}$  subpopulation after exiting  $V_6$ , the  
871 quantity  $f_0 - f_1$  defines the fraction of vaccinated persons who enter the  $S_{V,2}$  subpopulation after  
872 exiting  $V_6$ , the quantity  $f_1 - f_2$  defines the fraction of vaccinated persons who enter the  $S_{V,3}$   
873 subpopulation after exiting  $V_6$ , and  $f_2$  defines the fraction of vaccinated persons who enter the  
874  $S_{V,4}$  subpopulation after exiting  $V_6$ . We take  $f_0$  to characterize vaccine effectiveness before the  
875 emergence of Alpha. According to Thompson et al. [5], vaccine effectiveness was initially 90%.  
876 Thus, we set  $f_0 = 0.9$ . We take  $f_1$  to characterize vaccine effectiveness after the emergence of

877 Alpha but before the emergence of Delta. According to Puranik et al. [6], in May 2021, vaccine  
878 effectiveness was 81%. Thus, we set  $f_1 = 0.81$ . We take  $f_2$  to characterize vaccine effectiveness  
879 after the emergence of Delta. According to Tang et al. [7], the effectiveness of two doses of the  
880 Pfizer-BioNTech vaccine (BNT162b2) against Delta is 53.5% and the effectiveness of two doses  
881 of the Moderna vaccine (mRNA-1273) against Delta is 84.8%. Taking the average of these  
882 figures, we set  $f_2 = 0.69$ .

### 883 **Estimation of $m_h$**

884 The parameter  $m_h$  characterizes the reduced risk of severe disease for a vaccinated  
885 person in the case of a breakthrough infection. We set  $m_h = 0.04$ , i.e., we assumed that there is a  
886 25-fold reduction in the risk of severe disease for infected persons who have been vaccinated,  
887 which is consistent with the observations of Lopez Bernal et al. [8].

### 888 **Notable New Modeling Assumptions**

889 It should be noted that we treat the incubation period for newly infected (exposed)  
890 vaccinated persons differently than for newly infected (exposed) unvaccinated persons (Figure 1,  
891 Appendix Figure 1). For unvaccinated persons, as in the study of Lin et al. [3], we divide  
892 exposed persons in the incubation period of infection into five subpopulations:  $E_{1,M}, \dots, E_{5,M}$  for  
893 exposed persons who are mixing (i.e., persons who are not practicing social-distancing),  
894  $E_{1,P}, \dots, E_{5,P}$  for exposed persons who are practicing social-distancing, and  $E_{1,Q}, \dots, E_{5,Q}$  for  
895 exposed quarantined persons. Persons move through the five stages of the incubation period  
896 sequentially. In contrast, as a simplification, for vaccinated persons, we consider only a single  
897 exposed population:  $E_V$ . We take persons to exit  $E_V$  with rate constant  $k_L/5$  (Appendix Figure  
898 1). With this choice, the duration of the incubation period of infection is the same, on average,

899 for both vaccinated and unvaccinated persons. The average duration is  $5/k_L$  (about 5 d) in both  
900 cases. The difference is that the duration of the incubation period is Erlang distributed for  
901 unvaccinated persons, as discussed by Lin et al. [3], but exponentially distributed for vaccinated  
902 persons.

903 As indicated in Equation (29), we take vaccinated persons with productive infections to  
904 be equally as infectious as unvaccinated persons.

905 As noted earlier, we take all vaccinated persons to be mixing (i.e., to not be practicing  
906 social-distancing). Thus, populations of infected vaccinated persons ( $E_V$ ,  $I_V$ , and  $A_V$ ) contribute  
907 to  $\phi_M(t)$  (Appendix Equation 29) but not  $\phi_P(t)$  (Appendix Equation 30).

908 As indicated in Appendix Equation 31, we consider pre-symptomatic exposed and  
909 asymptomatic unvaccinated persons to be eligible for vaccination and, thus, these persons  
910 contribute to the consumption of vaccine doses (i.e., these persons account for a portion of the  
911 number of completed vaccinations on a given day  $i$ ,  $\mu_i S_0 \times 1$  d). However, we do not move  
912 these persons to vaccinated compartments. The reason is that exposed and asymptomatic persons  
913 are expected to develop immunity faster through recovery from infection (i.e., movement to  $R_U$ )  
914 than from vaccination.

915 As indicated in Appendix Equation 31, we do not consider symptomatic, quarantined,  
916 severely ill and hospitalized/isolated-at-home, and deceased persons to be eligible for  
917 vaccination.

918 **Inference Approach**

919 Recall that  $\theta_F$  denotes the set of all adjustable parameters. As in the study of Lin et al.  
920 [3], for each MSA, we inferred MSA-specific adjustable parameter values  $\theta_F$  using all MSA-  
921 specific surveillance data available up to a specified day of inference  $\mathcal{D}_d$  (i.e., the  $d$ th day after  
922 January 21, 2020). We took a Bayesian inference approach, meaning that, for a given dataset, we  
923 generated parameter posterior samples (a collection of  $\theta_F$ 's) through Markov chain Monte Carlo  
924 (MCMC) sampling. The parameter posterior samples provide a probabilistic characterization of  
925 the adjustable parameter values consistent with the dataset used in inference. By drawing  
926 samples from the parametric posterior distribution, we generated a posterior predictive  
927 distribution for  $I(t_i, t_{i+1})$  for each  $i$  of interest. We considered all days from January 21, 2020 to  
928 October 31, 2021. In other words, for each  $i$  of interest, a prediction for  $I(t_i, t_{i+1})$  was generated  
929 for each of many  $\theta_F$ 's drawn randomly (with uniform probability) from the parametric posterior  
930 distribution. The resulting distribution of  $I(t_i, t_{i+1})$  values is the posterior predictive distribution  
931 for  $I(t_i, t_{i+1})$ . Recall that  $I(t_i, t_{i+1})$  is given by Appendix Equation 40 and corresponds to  
932  $\mathbb{E}[\delta C_i]$ , the expected number of new COVID-19 cases detected over a 1-d surveillance interval  
933 and reported for the  $i$ th day after January 21, 2020. Observation noise was injected into the  
934 posterior predictive distributions by replacing each sampled value for  $I(t_i, t_{i+1})$  with  
935  $X_i \sim \text{NB}(r, q_i)$ , where  $r$  is a member of the sampled set of parameter values  $\theta_F$  used to generate  
936 the prediction of  $I(t_i, t_{i+1})$  and  $q_i$  is given by Equation 43.

937 According to Bayes' theorem, given surveillance data  $D = \{\delta C_i\}_{i=0}^d$ , the parametric  
938 posterior is given as

$$\mathbb{P}\{\theta_F|D\} = \frac{\mathbb{P}\{D|\theta_F\} \mathbb{P}\{\theta_F\}}{Z} \quad (44)$$

939 where  $\mathbb{P}\{\theta_F\}$  is the prior (which is formulated to capture knowledge of  $\theta_F$  external to  $D$  or to  
940 express lack of such knowledge),  $\mathbb{P}\{D|\theta_F\}$  is the likelihood defined by Appendix Equations 41–  
941 43, and  $Z$  is a normalizing constant. We assumed a proper uniform prior, i.e., for each adjustable  
942 parameter, we assumed that all values between specified lower and upper bounds are equally  
943 likely before consideration of  $D$ . We used the same bounds as in the study of Lin et al. [3]. Then,  
944 we used an adaptive MCMC (aMCMC) algorithm [9] to generate samples from  $\mathbb{P}\{D|\theta_F\} \mathbb{P}\{\theta_F\}$ ,  
945 which is proportional to  $\mathbb{P}\{\theta_F|D\}$ . Thus, the relative probabilities of parameter sets  $\theta_F$  according  
946 to  $\mathbb{P}\{\theta_F|D\}$  are correctly represented by the samples.

947         Specifically, the adaptive MCMC algorithm [9] generates samples from the multivariate  
948 parametric posterior for adjustable model parameters ( $t_0$ ,  $\beta$ , and parameters for variant  
949 emergence and social-distancing), the measurement model parameter  $f_D$ , and the likelihood  
950 parameter  $r$  (Tables 1 and 2). This algorithm is available within the PyBioNetFit software  
951 package [10]. Use of the algorithm was performed as described by Lin et al. [3]. The report of  
952 Neumann et al. [10] includes helpful general usage advice, which was followed in this study.  
953 Inference jobs were executed on a computer cluster. For each inference job, a total of 25 chains  
954 were generated, and the chain with the best mixing and convergence properties was selected for  
955 subsequent analyses.

956         Each inference was conditioned on the compartmental model of Figure 1 (Appendix  
957 Equations 1–38), settings for the structural parameters  $m$  (the number of SARS-CoV-2 variants  
958 under consideration) and  $n$  (the number of social-distancing periods under consideration beyond  
959 an initial social-distancing period), the measurement model (Appendix Equations 39 and 40), and  
960 fixed parameter estimates (Tables 1 and 2), including empirical daily *per capita* vaccination rates  
961 (i.e., the settings for  $\mu_i$  in Appendix Equation 37). We assumed a proper uniform prior for each

962 adjustable parameter [3] and a negative binomial likelihood function (Appendix Equations 41–  
963 43). Use of proper uniform priors means that MAP estimates are maximum likelihood estimates  
964 (MLEs). In each inference, the data entering the likelihood function,  $D = \{\delta C_i\}_{i=0}^d$  (Appendix  
965 Equation 41), were MSA-specific daily reports of newly detected COVID-19 cases available up  
966 to the date of inference  $\mathcal{D}_d$  (i.e., the  $d$ -th day after January 21, 2020). Thus, all inferences are  
967 region-specific and time-dependent.

### 968 **Use of Model Selection to Determine Intervals of Step Functions**

969 Variant takeover times,  $\theta = (\theta_1, \theta_2)$ , and start times of social-distancing periods,  $\tau =$   
970  $(\sigma, \tau_1, \dots, \tau_n)$ , were inferred from data; however, changes of the associated time-dependent step  
971 functions,  $Y_\theta(t)$ ,  $P_\tau(t)$ , and  $\Lambda_\tau(t)$ , were introduced only when an increase in model complexity  
972 was deemed to be justified. Each decision to introduce variant takeover or start of a new social-  
973 distancing period (beyond the initial period) was made using a model-selection procedure, which  
974 is described below. It should be noted that  $y_1$  and  $y_2$  are parameters of  $Y_\theta(t)$ ,  $p_0, p_1, \dots, p_n$  are  
975 parameters of  $P_\tau(t)$ , and  $\lambda_0, \lambda_1, \dots, \lambda_n$  are parameters of  $\Lambda_\tau(t)$ . These parameters determine the  
976 values of the step functions over different periods. For example, for  $n \geq 1$ ,  $p_1$  is the value of  
977  $P_\tau(t)$  and  $\lambda_1$  is the value of  $\Lambda_\tau(t)$  for the period  $t \in [\tau_1, \tau_2)$ . Similarly,  $y_1$  is the value of  $Y_\theta(t)$   
978 for the period  $t \in [\theta_1, \theta_2)$ , and  $y_2$  is the value of  $Y_\theta(t)$  for the period  $t \in [\theta_2, t_{\text{final}})$ , where  $t_{\text{final}}$   
979 corresponds to the date of inference (October 31, 2021).

980 We started with a setting of  $n = 7$  for each MSA of interest (i.e., 8 total social-distancing  
981 stages). To determine if  $n$  could be reduced, we conducted parsimony checks. In a parsimony  
982 check, 100 MLE curves, each constituting a fit to the data, were generated via optimization jobs.  
983 In these jobs, the total number of social-distancing stages in the model ( $n + 1$ ) was set at 1 less



984 than for the current proposed best fit. Each of the 100 fits was visually inspected to determine  
985 whether or not the following criteria held: 1) the quality of fit is acceptable (i.e., comparable to  
986 what is obtained with the current proposed best fit); 2) Alpha and Delta surges (identified by  
987 sequencing data) are explained at least partly by increased transmissibility; 3) social-distancing  
988 setpoint parameter values are feasible (i.e., each setpoint parameter takes on a value between 0.2  
989 and 0.8); and 4) social-distancing changes proximal to an Alpha or Delta surge (if any) occur  
990 only after an increase in transmissibility. If one or more of these conditions was not satisfied, we  
991 accepted the proposed best fit as the most parsimonious fit to the data. If all conditions held, we  
992 updated the proposed best fit, and the parsimony check was repeated for a model with one less  
993 social-distancing stage. In the Appendix, we show examples of violations of parsimony-check  
994 criteria for the MSA surrounding Houston (Appendix Figure 3).

## 995 **Simulations**

996 After specification of parameter values (Tables 1–3), we used the SciPy  
997 (<https://www.scipy.org>) interface to LSODA [12] to numerically integrate the system of coupled  
998 ODEs consisting of the 40 ODEs of the compartmental model and the 1 ODE of the  
999 measurement model (Appendix Equations 1–39). The initial condition was defined by settings  
1000 for  $t_0$ ,  $I_0$ , and  $S_0$  (Tables 1–3). Integration combined with use of Appendix Equation 40 yielded a  
1001 prediction of the expected number of new cases detected for each 1-d surveillance period of  
1002 interest in the past or future:  $I(t_i, t_{i+1})$ , where  $t_i$  corresponds to midnight on the  $i$ th day after  
1003 January 21, 2020. To account for randomness in case detection and reporting, we replaced  
1004  $I(t_i, t_{i+1})$  with  $X_i \sim \text{NB}(r, q_i)$ , where  $q_i$  is given by Appendix Equation 43.

## 1005 **Appendix References**

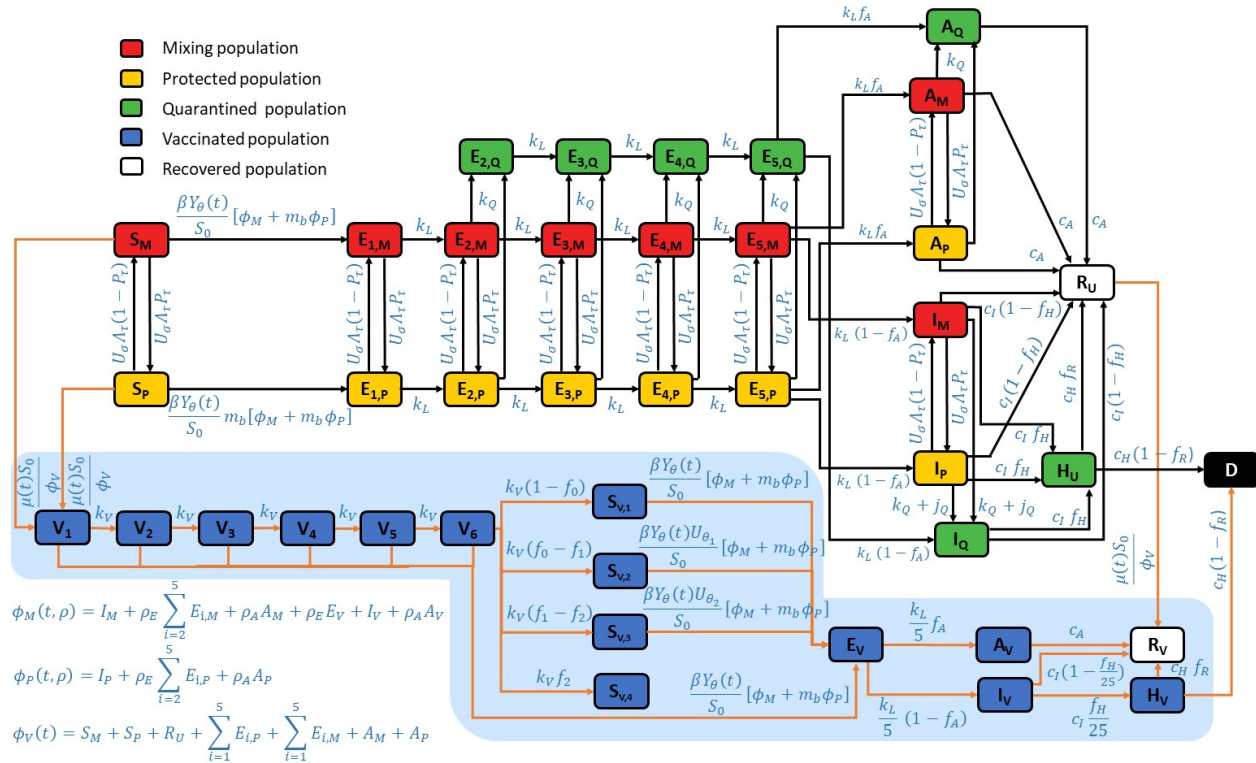
- 1006 [1] Covid Act Now. US COVID risk and vaccine tracker. 2021 [cited 2021 Sep 29]  
1007 <https://covidactnow.org/>
- 1008 [2] Democrat and Chronicle. COVID-19 vaccine tracker. 2023 [cited 2023 Nov 11]  
1009 <https://data.democratandchronicle.com/covid-19-vaccine-tracker>
- 1010 [3] Lin YT, Neumann J, Miller EF, Posner RG, Mallela A, Safta C, Ray J, Thakur G,  
1011 Chinthavali S, Hlavacek WS. Daily forecasting of regional epidemics of Coronavirus  
1012 Disease with Bayesian uncertainty quantification, United States. *Emerg Inf Dis.*  
1013 2021;27:767–78. <https://doi.org/10.3201/eid2703.203364>
- 1014 [4] Korodi M, Rákosi K, Jenei Z, Hudák G, Horváth I, Kákes M, et al. Longitudinal  
1015 determination of mRNA-vaccination induced strongly binding SARS-CoV-2 IgG  
1016 antibodies in a cohort of healthcare workers with and without prior exposure to the novel  
1017 coronavirus. *Vaccine.* 2022;40:37: 5445–5451.  
1018 <https://doi.org/10.1016/j.vaccine.2022.07.040>
- 1019 [5] Thompson MG, Burgess JL, Naleway AL, Tyner HL, Yoon SK, Meece J, et al. Interim  
1020 estimates of vaccine effectiveness of BNT162b2 and mRNA-1273 COVID-19 vaccines  
1021 in preventing SARS-CoV-2 infection among health care personnel, first responders, and  
1022 other essential and frontline workers—eight U.S. locations, December 2020–March 2021.  
1023 *MMWR Morb Mortal Wkly Rep.* 2021;70:495–500.  
1024 <http://dx.doi.org/10.15585/mmwr.mm7013e3>
- 1025 [6] Puranik A, Lenehan PJ, Silvert E, Niesen MJM, Corchado-Garcia J, O’Horo JC, et al.  
1026 Comparison of two highly-effective mRNA vaccines for COVID-19 during periods of  
1027 Alpha and Delta variant prevalence. [cited 2021 Oct 8]  
1028 <https://www.medrxiv.org/content/10.1101/2021.08.06.21261707v3>

- 1029 [7] Tang P, Hasan MR, Chemaitelly H, Yassine HM, Benslimane FM, Al Khatib HA, et al.  
1030 BNT162b2 and mRNA-1273 COVID-19 vaccine effectiveness against the SARS-CoV-2  
1031 Delta variant in Qatar. *Nat Med.* 2021;27:2136–43.  
1032 <https://www.nature.com/articles/s41591-021-01583-4>
- 1033 [8] Lopez Bernal J, Andrews N, Gower C, Gallagher E, Simmons R, Thelwall S, et al.  
1034 Effectiveness of Covid-19 Vaccines against the B.1.617.2 (Delta) variant. *N Engl J Med.*  
1035 2021;385:585–94. <https://doi.org/10.1056/NEJMoa2108891>
- 1036 [9] Andrieu C, Thoms J. A tutorial on adaptive MCMC. *Stat Comput.* 2008;18:343–73.  
1037 <https://doi.org/10.1007/s11222-008-9110-y>
- 1038 [10] Neumann J, Lin YT, Mallela A, Miller EF, Colvin J, Duprat AT, Chen Y,  
1039 Hlavacek WS, Posner RG. Implementation of a practical Markov chain Monte Carlo  
1040 sampling algorithm in PyBioNetFit. *Bioinformatics.* 2022;38:1770–2.  
1041 <https://doi.org/10.1093/bioinformatics/btac004>
- 1042 [11] Burnham KP, Anderson DR. Multimodal inference: understanding AIC and BIC  
1043 in model selection. *Sociol Methods Res.* 2016;33:261–304.  
1044 <https://doi.org/10.1177/0049124104268644>
- 1045 [12] Hindmarsh AC. ODEPACK, a systematized collection of ODE solvers. In  
1046 Stepleman RS, editor. *Scientific computing: applications of mathematics and computing*  
1047 *to the physical sciences.* Amsterdam: North-Holland Publishing Company; 1983. p. 55–  
1048 64.
- 1049

**Appendix Table 1.** State variables of the compartmental model

State variable (population)	Description
$S_M$	Population of susceptible unvaccinated persons who are mixing (i.e., not practicing social-distancing)
$S_P$	Population of susceptible unvaccinated persons who are practicing social-distancing
$S_{V,1}$	Population of vaccinated unexposed persons who developed an immune response to vaccination that does not protect against productive infection by ancestral strains or the Alpha and Delta variants
$S_{V,2}$	Population of vaccinated unexposed persons who developed an immune response to vaccination that protects against productive infection by ancestral strains but not the Alpha or Delta variants
$S_{V,3}$	Population of vaccinated unexposed persons who developed an immune response to vaccination that protects against productive infection by ancestral strains and the Alpha variant but not the Delta variant
$S_{V,4}$	Population of vaccinated unexposed persons who developed an immune response to vaccination that protects against productive infection by ancestral strains and the Alpha and Delta variants
$V_i$ ( $i = 1, \dots, 6$ )	Population of vaccinated persons in the $i$ th stage of immune response to vaccination
$E_{i,M}$ ( $i = 1, \dots, 5$ )	Population of exposed unvaccinated persons in the $i$ th stage of the incubation period of infection and who are mixing
$E_{i,P}$ ( $i = 1, \dots, 5$ )	Population of exposed unvaccinated persons in the $i$ th stage of the incubation period of infection and who are practicing social-distancing
$E_{i,Q}$ ( $i = 2, \dots, 5$ )	Population of exposed unvaccinated persons in the $i$ th stage of the incubation period of infection and who are quarantined
$E_V$	Population of vaccinated persons in the incubation period of a productive infection (i.e., an infection that can be transmitted to others)

$A_M$	Population of asymptomatic unvaccinated persons who are in the immune clearance phase of infection and who are mixing
$A_P$	Population of asymptomatic unvaccinated persons who are in the immune clearance phase of infection and who are practicing social-distancing
$A_Q$	Population of asymptomatic unvaccinated persons who are in the immune clearance phase of infection and who are quarantined
$A_V$	Population of asymptomatic vaccinated persons who are in the immune clearance phase of a productive infection (i.e., an infection that can be transmitted to others)
$I_M$	Population of infectious, symptomatic, and unvaccinated persons with mild disease who are mixing
$I_P$	Population of infectious, symptomatic, non-vaccinated, and infectious persons with mild disease who are practicing social-distancing
$I_Q$	Population of infectious, symptomatic, and unvaccinated persons with mild disease who are quarantined
$I_V$	Population of infectious, symptomatic, and vaccinated persons with mild disease
$R_U$	Population of recovered unvaccinated persons
$R_V$	Population of recovered vaccinated persons
$H_U$	Population of unvaccinated persons with severe disease who are hospitalized or isolated at home
$H_V$	Population of vaccinated persons with severe disease who are hospitalized or isolated at home
$D$	Population of deceased persons



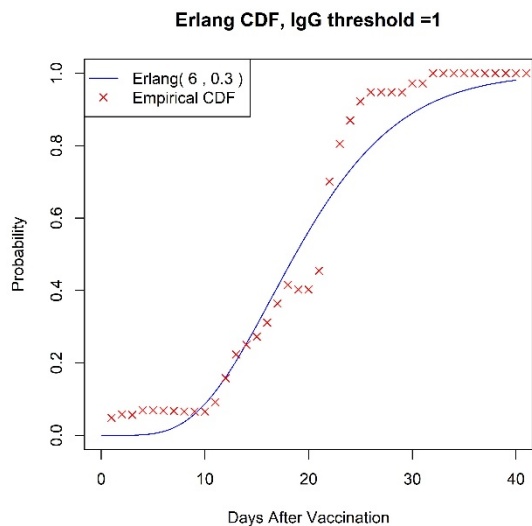
1052

1053 **Appendix Figure 1.** Expanded illustration of the new compartmental model. In the extended  
 1054 model, vaccination was considered by allowing susceptible and recovered persons to transition  
 1055 into a vaccinated compartment, either  $V_1$  and  $R_V$ . Susceptible (recovered) persons who have  
 1056 completed vaccination move into the  $V_1$  ( $R_V$ ) compartment. The susceptible persons who move  
 1057 into  $V_1$  are drawn from  $S_M$  (populated by susceptible persons who are mixing and unprotected by  
 1058 social-distancing) and from  $S_P$  (populated by susceptible persons who are protected by social-  
 1059 distancing). After susceptible persons enter  $V_1$ , they can move through a series of additional  
 1060 compartments ( $V_2$  through  $V_6$ ), which are included to capture the time needed for immunity to  
 1061 develop after completion of vaccination. We estimate that the time needed to acquire immunity  
 1062 after vaccination is approximately three weeks based on longitudinal studies of anti-spike protein  
 1063 IgG levels [4]. Persons who exit the  $V_6$  compartment without becoming infected enter one of the  
 1064 following compartments:  $S_{V,1}$ ,  $S_{V,2}$ ,  $S_{V,3}$ , or  $S_{V,4}$ . Persons in  $S_{V,1}$  are taken to remain susceptible

1065 to productive infection by all SARS-CoV-2 strains of interest (Alpha, Delta, and ancestral  
1066 strains). Persons in  $S_{V,2}$  are taken to be susceptible to SARS-CoV-2 Alpha and Delta variants.  
1067 Persons in  $S_{V,3}$  are taken to be susceptible to Delta. Persons in  $S_{V,4}$  are taken to be protected  
1068 against all strains of interest. Infection of persons in  $S_{V,3}$  is only allowed if Delta is present, i.e.,  
1069 at times  $t > \theta_2$ . Infection of persons in  $S_{V,2}$  is only allowed if Alpha or Delta is present, i.e., at  
1070 times  $t > \theta_1$ . Vaccinated persons in compartments  $V_1$  through  $V_6$  and compartment  $S_{V,1}$  are  
1071 allowed to become infected at any time, at which point they transition to compartment  $E_V$ ,  
1072 consisting of vaccinated persons who were exposed before development of vaccine-induced  
1073 immunity. Persons in compartment  $S_{V,2}$  are allowed to become infected if  $t \geq \theta_1$ . Similarly,  
1074 persons in compartment  $S_{V,3}$  are allowed to become infected if  $t \geq \theta_2$ . Possible outcomes for  
1075 persons in  $E_V$  are taken to be the same as those for unvaccinated exposed persons; however, the  
1076 incubation period is taken to be distinct. Persons in  $E_V$  can experience asymptomatic disease  
1077 (upon entering  $A_V$ ) or they can become symptomatic (upon entering  $I_V$ ). Persons in  $A_V$   
1078 eventually recover, entering compartment  $R_V$ . Persons in  $I_V$  can progress to severe disease (upon  
1079 entering  $H_V$ ) or recover (upon entering  $R_V$ ). Persons in  $H_V$  either recover (moving into  $R_V$ ) or die  
1080 (moving into  $D$ ). Persons who have recovered from infection, in the  $R_U$  compartment, move  
1081 directly into the  $R_V$  compartment upon vaccination. Persons in the  $R_U$  and  $R_V$  compartments are  
1082 taken to have full immunity. The vaccination rate at which susceptible and recovered persons  
1083 move into vaccinated compartments is updated daily for consistency with the empirical overall  
1084 rate of vaccination, which we extract daily from the COVID Act Now Data API [1] and the  
1085 *Democrat and Chronicle* newspaper [2]. The relative values of the vaccination rate are set such  
1086 that each person eligible for vaccination has the same probability of being vaccinated. All  
1087 unvaccinated persons are taken to be eligible for vaccination except symptomatic persons (in

1088 compartments  $I_M$  and  $I_P$ ), persons who are hospitalized or severely ill at home (in compartment  
1089  $H$ ), quarantined persons (in the various compartments labeled with a Q subscript), and deceased  
1090 persons (in compartment  $D$ ). It should be noted that asymptomatic, non-quarantined persons (in  
1091 compartments  $A_M$  and  $A_P$ ) and presymptomatic, non-quarantined persons (in the  $E$   
1092 compartments) are taken to be eligible (and to influence the vaccination rate constants) but, as a  
1093 simplification, these persons are not explicitly tracked as vaccinated or unvaccinated because  
1094 each of these persons will eventually enter either the  $D$  compartment or the  $R_U$  compartment, at  
1095 which point they will have immunity. In the model, the effects of SARS-CoV-2 variants are  
1096 captured by a time-dependent dimensionless multiplier  $Y_\theta(t)$  of the rate constant  $\beta$ . This rate  
1097 constant, which appears in Appendix Equations 1–4, 18–22, and 24, determines the rate of  
1098 disease transmission within the subpopulation unprotected by social-distancing behaviors when  
1099  $Y_\theta(t) = 1$ . We take  $Y_\theta(t) = 1$  for times  $t < \theta_1$ , i.e., for the initial period of the COVID-19  
1100 pandemic in the US that we take to have started on January 21, 2020. We take  $Y_\theta(t)$  to have the  
1101 form of a step function with distinct values greater than 1 for periods starting at  $t = \theta_1$  and  
1102  $\theta_{k+1} > \theta_k$  for  $k = 1, \dots, m$ . Thus, the model allows for  $m$  distinct periods of variant strain  
1103 dominance delimited by a set of start times  $\theta = \{\theta_1, \dots, \theta_m\}$ . We considered  $m = 2$ . We assume  
1104 that variants differ only in transmissibility.





1105

1106 **Appendix Figure 2.** Comparison of an Erlang cumulative distribution function with shape  
1107 parameter  $n_V = 6$  and rate parameter  $k_V = 0.3 \text{ d}^{-1}$  and the empirical cumulative distribution of  
1108 waiting times ( $\tilde{t}_V$  values) observed in the longitudinal study of Korodi et al. [4]. The waiting  
1109 time  $\tilde{t}_V$  is the time between vaccination of a previously uninfected person and detection of  
1110 vaccine-induced SARS-CoV-2-specific IgG antibodies.

1111

1112

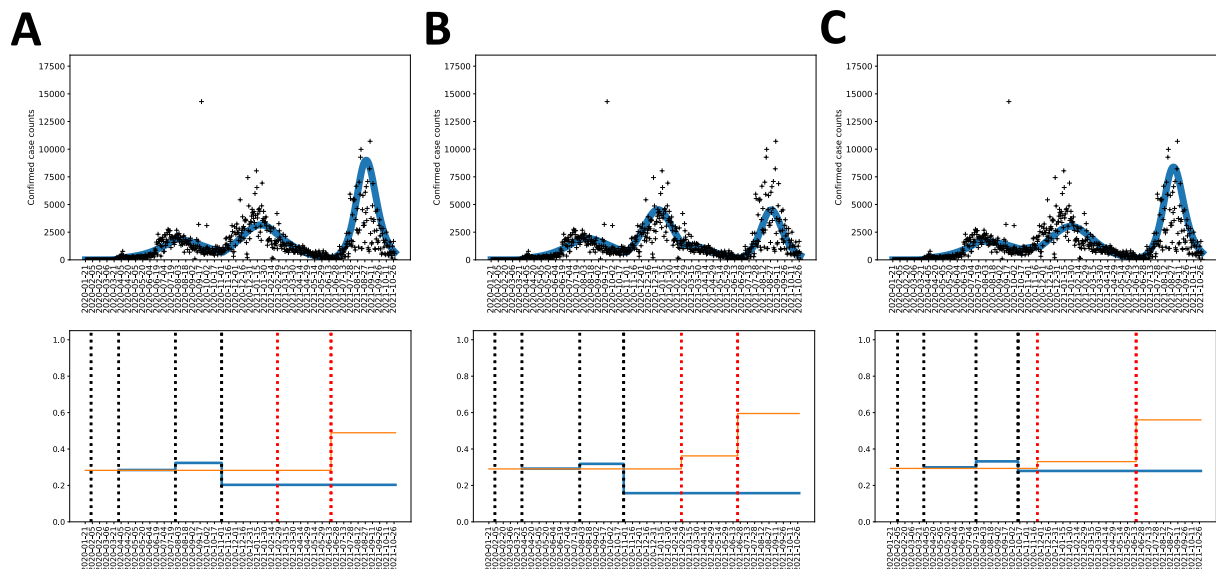
1113

1114

1115

1116

1117



1118

1119 **Appendix Figure 3.** Example of a parsimony check with criteria that are violated for the  
1120 MSA surrounding Houston. (A) Alpha and Delta surges (identified by sequencing data) are not  
1121 explained, at least in part, by increased transmissibility, while all other criteria are satisfied. Each  
1122 broken vertical black line from left to right indicates the date of onset of a social-distancing stage  
1123 (i.e., with  $n = 3$  for this illustration). Each broken vertical red line from left to right indicates the  
1124 takeoff date of a variant (namely, Alpha or Delta). (B) Not all social-distancing setpoint  
1125 parameter values are feasible, while all other criteria are satisfied. (C) Social-distancing changes  
1126 proximal to an Alpha or Delta surge (if any) precede an increase in transmissibility, while all  
1127 other criteria are satisfied. In Panel A, we see that the orange segment between the two broken  
1128 vertical red lines, which denotes the relative transmissibility of Alpha, is no larger than the  
1129 orange segment to its left, which denotes the relative transmissibility of ancestral strains of  
1130 SARS-CoV-2. In Panel B, the rightmost blue segment, which denotes the social-distancing  
1131 setpoint parameter value for the final social-distancing stage, has a value of roughly 0.16, which  
1132 is deemed infeasible by our criterion. Finally, in Panel C, the rightmost broken vertical black line

1133 is proximal to the leftmost broken vertical red line, which corresponds to the takeoff time of the  
1134 Alpha surge, and the social-distancing setpoint parameter value changes prior to the Alpha surge.  
1135 Note that all three panels show MLE curves, each of which constitutes an acceptable fit to the  
1136 data.