

Prediction and control of COVID-19 infection based on a hybrid intelligent model

Gengpei Zhang ¹, Xiongdin Liu ² *

¹ China Three Gorges University, Yichang, Hubei, China, ² School of Automation Science and Engineering, South China University of Technology, Guangzhou, Guangdong, China

* 201771338@yangtzeu.edu.cn

Abstract

The coronavirus (COVID-19) is a highly infectious disease that emerged in the late December 2019 in Wuhan, China, and it has caused a worldwide outbreak, which represents a major threat to global health. It is important to design prediction research and control strategies to crush its exploding. In this study, a hybrid intelligent model is proposed to simulate the spreading dynamics of COVID-19. First, considering the control measures, such as government investment, media publicity, medical treatment and law enforcement. The infection rates are optimized by genetic algorithm (GA), then a modified susceptible-infected-quarantined-recovered (SIQR) model is proposed, then the long short-term memory (LSTM) is imbedded into the SIQR model to design the hybrid intelligent model to further optimize other parameters of the system model to obtain the optimal predictive model and control measures. This study provide a reliable model to predict cases of infection and death , and reasonable suggestion to control COVID-19.

Introduction

In the past six months, Chinese people have been on a high level of containment due to the outbreak of the coronavirus 2019 throughout China [1]. However, due to the convenient of global transportation, the virus has rapidly spread to all corners of the world. The coronavirus was first discovered in Wuhan, at the early stage, due to people lack of knowledge about the virus and the scarcity of medical resources, people were not aware of the virus. Relatively little knows about the disease, people neglect to control it in its early stages, until the earliest official announcement that the disease can be spread from person to person on January 20, 2020 [2]. Then, the government took a series of measures to prevent the spread of the disease on January 21 like Wuhan lockdown. Subsequently, some cities closed, with cities across the country sealing off.

NOTE: This preprint reports new research that has not been certified by peer review and should not be used to guide clinical practice.

41 Governments took many measures by closing down public places,
42 broadcasting propaganda, isolating people in their own homes, etc.,
43 which leads to the increased awareness of self-protection for people.
44 The epidemic has been successful control in China, but now the
45 world is not optimistic, with over 40 million people now cumulatively
46 diagnosed worldwide. The cumulative number of deaths is over 1.2
47 million, especially in countries such as the United States, Brazil,
48 Russia, and India, the pandemic is still quite severe today [3,4].
49 Therefore, each countries and states should adopt prevention and
50 control strategies. Currently, it is very important to establish and
51 analyze disease-spreading model to predict disease development
52 trends in order to control and prevent the spread of the COVID-19.

53 Due to the outbreak of disease, vaccines and medicine treatments
54 for the disease are still being researched, non-drug treatment
55 becomes the main strategy to slow down the spread of the disease.
56 The purpose of most of these prediction and control measures is to
57 reduce the probability of infection spreading during direct or indirect
58 contact [5]. For example, paying attention to personal hygiene and
59 wearing a mask, keeping social distancing and closing some public
60 space such as schools and workplaces, in order to decrease the
61 opportunities of propagation from person to person. Other measures
62 like cutting off the way of transmission of diseases, such as
63 disinfection in public places, improving the level of sanitation in public
64 places and so on. All of these measures can alleviate the propagation
65 of the epidemic [6-9]. How to quantify the impact of various
66 prevention and control strategies on disease spreading is of great
67 significance to guide disease control.

68 A common method utilizes mathematical modelling to describe
69 the spreading dynamics of infectious diseases, like Ebola, SARS.
70 This can accurately describe the spread of disease among individuals
71 in theoretical framework to guide the development of the prevention
72 and control measures [10-13]. There are many researchers studied
73 epidemic spreading have proposed some epidemic model and
74 obtained some meaningful results. The classical epidemic models
75 like susceptible-infected (SI), susceptible-infected-recovered (SIR),
76 susceptible-exposed-infected-recovered (SEIR),
77 susceptible-infected-quarantined-recovered-susceptible (SIQRS)
78 [14-19]. Most of these models are applicable to describe disease
79 spreading with a long incubation period, such as COVID-19. Based
80 on data-driven, a modified SEIR model was proposed to analysis and
81 prediction COVID-19 spread [20]. Considering the effect of
82 quarantine, B. K. Mishra et.al proposed three quarantine models to
83 analyze COVID-19 spreading [21]. Other recent studies, some

84 researchers have considered the effects of the basic reproductive
85 number, international conveyance, and some stochastic based
86 regression models to prediction and control the COVID-19 disease
87 [22,23]. However, traditional epidemic spreading models consider
88 that all infected individual have the same infection rate, and the
89 prediction of disease development trend has certain limitations.
90 Although data-driven disease spreading models can accurately
91 describe infection rates, the impact of government prevention and
92 control measures on infection rates has not been quantitatively in
93 detail. These measures, such as the laws, medical supplies, media
94 coverage and investment, can reduce the spread of the disease. It is
95 necessary to rationally arrange the optimal prevention and control
96 strategies with limited resources to minimize the death rate.

97 To solve this problem, the GA and ANN hybrid method is
98 proposed to optimize epidemic dynamics model and predict the
99 COVID-19 spreading [24-27]. Genetic algorithm is an adaptive global
100 optimization search algorithm formed by simulating the genetic and
101 evolutionary process of biological species in the natural environment
102 [28]. It uses the viewpoint of biogenetics and realizes the
103 improvement of individual adaptability through the mechanism of
104 natural selection, heredity and variation. Artificial intelligence (AI) is
105 considered one of the most successful achievements of computer
106 science, simulating the behavior of the human brain in data analysis.
107 One of the AI branches is the artificial neural network (ANN). This
108 information processing system, by a simulating strategy like
109 communication between brain neurons, has become a tool for
110 analyzing complex and real systems [29]. In recent years, ANN
111 models have been developed to overcome the difficulties presented
112 by health issues.

113 This article focuses on how to quantify the impact of the
114 government's prevention and control measures on the infection rate,
115 then to obtain the optimal model of disease spreading and the most
116 effective prevention and control strategy. Based on the proposed
117 SIQR model, the hybrid artificial neural network (ANN) model
118 embedded the genetic algorithm for predicting the COVID-19 in this
119 article, and it introduces the important prediction and control
120 strategies led by the government as well as the massive support
121 participation from the public into the prediction calculation process.
122 Furthermore, this article simulates the development of the epidemic
123 based on the proposed hybrid prediction model and predicts the trend
124 of the epidemic. Due to the fluctuation of virus detection capability,
125 the epidemic data of China shows a sudden change on February 12
126 and 13, the data consistency is reduced. As a developing country,

127 Brazil shows the epidemic data with periodicity and consistency, and
128 then this article takes the Brazil data as analytic target. The
129 simulation results based on the epidemic data of Brazil show that the
130 proposed hybrid model could provide a basis for estimating the law of
131 virus spread, and achieve accurate and robust performance.
132 Moreover, the prediction results of our hybrid ANN-GN model is
133 agree with the actual epidemic development trend, which
134 demonstrates that the openness, transparency, and efficiency of data
135 releasing are very important for establishing a modern epidemic
136 prevention system.

137 The remainder of this article is organized as follows. Section “A
138 hybrid model of COVID-19 spreading dynamics” introduces the
139 framework of the proposed hybrid epidemic spreading model. Section
140 “Methods” explains the method of GA and ANN to predict epidemic
141 spreading. Section “Simulation results and discussion” provides the
142 simulation results based on the epidemic data of Brazil and gives
143 some discussion. The conclusions are provided at last.

144 **A hybrid model of COVID-19 spreading dynamics**

145 In this section, we establish a mathematical model on COVID- 19
146 based on some assumptions. There are some literatures proposed
147 models mainly based on real clinical data, predict and control
148 measures. In this paper, we modified the previous model proposed in
149 [18], and then extend the model structure by designing different
150 infection rate. The model network diagram and the interaction
151 individual components demonstrated in Fig 1. Every individual in
152 network can only exist one of four independent states, namely,
153 susceptible, infected, quarantined and recovered. For simply, it can
154 be denoted by S, I, Q, and R, respectively. Each link represents the
155 transformation relationship between nodes. Here, infected individuals
156 include symptomatic infected individuals and asymptomatic infected
157 individuals. Susceptible individual is infected with probability m (M1,
158 M2, M3 and M4) if it is connected to an infected individual. Infective
159 individuals are quarantined with probability α . In the process of
160 isolation, the asymptomatic infected individuals turn into symptomatic
161 infected individuals with the probability ω . Quarantined individuals
162 are treated with drugs that move into the recovered individuals with
163 probability β . Some recovered individuals will relapse into infection
164 due to their weakened immunity with probability γ . The probability of
165 death during isolation is λ . Here, set a switch of city lockdown by the
166 death rate, infection probability m is different based on the city
167 situation (lockdown or not). The lockdown infection probability m is
168 much lower for the strict government regulation.

169
170
171
172
173
174
175
176
177
178
179
180
181
182
183
184
185
186
187
188
189
190
191
192
193
194
195
196
197
198
199
200
201
202
203
204
205

Fig 1. The flow diagram of the SIQR model.

According to the epidemic spreading, the dynamic equations can be written as follows:

$$\begin{cases} \frac{dS_k(t)}{dt} = -mS_k(t) \\ \frac{dI_k(t)}{dt} = mS_k(t) + \gamma R_k(t) - \alpha I_k(t) \\ \frac{dQ_k(t)}{dt} = \alpha I_k(t) - \beta Q_k(t) - \lambda Q_k(t) \\ \frac{dR_k(t)}{dt} = \beta Q_k(t) - \gamma R_k(t) \end{cases} \quad (1)$$

Using the normalization condition, the probability of death can be obtained:

$$D = \frac{\lambda \alpha m \gamma}{\alpha \gamma (\lambda + m) + m \gamma ((\lambda + \beta) + \alpha \beta m)} \quad (2)$$

In this paper, the proportion of death is a very important parameter. It not only depicts the fatality rate of the disease in the process of transmission, but also reflects the effectiveness of prevention and control measures. For example, the money invested by the government can improve the medical level and effectively cut off the transmission route of the virus. Increasing publicity and awareness of prevention and control will also reduce the risk of infection. Law enforcement can also affect the spread of diseases, such as city closures and home quarantine. This paper argues that due to the strict control and isolation measures taken by the government during the epidemic, the infected cases cannot infect susceptible people after quarantine. However, asymptomatic infected persons also have some ability to transmit, and it is difficult to detect. Therefore, there is a certain relationship between the number of newly infected cases on Day t and the number of infected cases in the past k days. Moreover, the infection rate of patients is closely related to the time of infection. Since government measures can inhibit the spread of the disease, the infection rate of newly infected cases may vary from time to time on t day over the past k days. Further analyzing this difference and assigning different weights to different measures, we quantified the contribution of different measures to the infection rate at time t in newly infected cases. Then, the weighted accumulation was used to estimate the infection rate so as to establish the relevant epidemic air defense modeling.

In addition, in order to study the relationship between the prediction and control measures with infection rate of the SIQR epidemic spreading model, the method of GA and LSTM are used to optimize the spreading model. This paper considers the relationship

206 between the rate of disease transmission and the measures taken by
207 the government against the disease. The main factors include
208 government investment, medical level, media publicity and law
209 enforcement. Firstly, genetic algorithm is used to estimate the
210 infection rate of the model, taking the acceptable mortality rate as
211 fitness function and taking it as a basis for city closure parameters. At
212 the same time, GA is further used to obtain the optimal means of
213 government control by taking the minimum mortality rate as fitness
214 function. The mutation law of GA is based on the interaction of four
215 government measures. Furthermore, the infection rate bias and
216 mortality bias were estimated through the LSTM network, the number
217 of infected people was estimated by combining with the SIQR model,
218 and the relevant parameters of the model were modified to obtain the
219 best transmission model and predict the spread of the disease. By
220 combining these two approaches, the optimal model of disease
221 spreading and the optimal prevention and control strategies can be
222 obtained, which can predict the number of infected and death cases
223 based on the spreading model and development trend. The proposed
224 framework is shown in Fig 2.

225 **Methods**

226 Epidemiological investigation and modeling are effective tools to
227 study the spread of epidemic diseases and have played their due
228 roles in the prevention and control of public health events with global
229 impact, such as SARS, MERS and H1N1 influenza. Many
230 researchers have also achieved some results in novel coronavirus
231 research using epidemiology and modeling analysis. The study of J.
232 Chan et al. [30] found the first evidence of human-machine
233 transmission. Then, some researchers combined with the analysis of
234 some early cases and gave the mean incubation period and mean
235 infection cycle of novel coronavirus. Traditional models of disease
236 transmission believe that the number of new infections is related to
237 the number of infected and vulnerable people, but these models lack
238 in-depth analysis of parameters in the process of disease
239 transmission. In the process of disease transmission, the
240 implementation of different control measures has a great impact on
241 the prevention and control of disease and the suppression of disease
242 transmission. For example, the government's publicity of disease
243 prevention and control, the formulation of relevant laws and
244 regulations, financial investment and other measures can affect the
245 spread of disease. The study found significant differences in the rates
246 of infection among people of different ages. The main purpose of this
247 paper is to study the impact of government measures on the spread

248 of disease and to minimize the mortality rate, and to consider the
249 impact of different age groups on the spread of disease, finally, we
250 can obtain the optimized measures and the best performance model
251 to prediction, as showing in Fig 2.

252
253 **Fig 2. The hybrid model for COVID-19 prediction.**

254
255 Unlike the traditional SIQR epidemic spreading model, which
256 consists of a single infected rate to describe the probability of
257 infection. In this paper, we proposed a dynamic strategy to better
258 represent the real world and the new COVID-19 disease. It mainly
259 considers the impact of various measures taken by the government
260 on the control of disease spreading. This paper considers the impact
261 of government investment, media publicity, medical treatment and
262 law enforcement on the rate of disease spreading, and its parameters
263 are set as m_i , $i=1, 2, 3, 4$, respectively. In addition, k_i is the weight of
264 each measure. Thus, the rate of disease spreading can be written as:

265

$$m = \sum_{i=1}^4 k_i m_i \quad (3)$$

266 The GA is mainly used to optimize parameters of the model, it can
267 be divided as two parts, and the first part describes that using the GA
268 to optimize the conditions of city closure. First initialization model, set
269 the initial value, with acceptable mortality as a condition of judgment.
270 According to data analysis and relevant government regulations, a
271 three-day mortality rate greater than 0.045 is defined here as an
272 unacceptable mortality rate. When this unacceptable mortality rate is
273 reached, will update and save the neural network parameters, as a
274 basis for the sealing city.

275

$$\text{unacceptable mortality rate} = \frac{\lambda \alpha m \gamma}{\alpha \gamma (\lambda + m) + m \gamma ((\lambda + \beta) + \alpha \beta m)} \geq 0.045 \quad (4)$$

276 At the same time, further to run the model, with the minimum
277 mortality as fitness function, further update neural network
278 parameters by genetic algorithm.

279

$$\text{minimum mortality} = \frac{\lambda \alpha m \gamma}{\alpha \gamma (\lambda + m) + m \gamma ((\lambda + \beta) + \alpha \beta m)} \quad (5)$$

280 Using twice the genetic algorithm, the approximate optimized
281 neural network parameters, namely the control measures taken by
282 the government can be obtained. Further, the LSTM algorithm is
283 used to modify other parameters of the model, and the historical data
284 is compared with the data calculated by the model, such as the
285 number of infections and deaths, to determine whether the system
286 has reached the minimum error. The number of infections and deaths
287 are further predicted. The flow chart of COVID-19 prediction
288 algorithm is shown in Fig 3.

289

290 **Fig 3. The flow chart of COVID-19 prediction algorithm.**

291

292

New data on the daily increase in the number of infected cases can be obtained. Using the same method, it is also possible to process the number of new deaths per day.

294

295

$$\begin{cases} \Delta I(t) = I(t) - I(t-1) \\ \Delta D(t) = D(t) - D(t-1) \end{cases} \quad (6)$$

296

297

298

299

300

301

302

303

304

Fig 4. The LSTM method.

305

306

307

308

309

310

311

312

313

314

315

316

317

318

319

320

321

322

323

324

325

326

327

328

329

330

In order to get a more accurate model, the model parameters need to be further processed. The GA has optimized the weight parameters in the neural network, and other model parameters are optimized through the optimized neural network model. Here, LSTM neural network is used to optimize the model parameters. We collected historical data from February 26 to October 13 in Brazil, to train neural network. Here we discussed the model parameters through two judgments. First, when the mortality rate of the model reaches an unacceptable mortality rate, the neural network parameters of the closed city are used to process the system model parameters, and then the mortality rate and infection rate are further compared with the actual data. By obtaining the minimum model error, the optimized model parameters are finally obtained. Here, let the actual infected rate be ΔI and the infected rate under the regression exponential function be $\Delta I'$, and use the neural network to predict the deviation between the actual mortality and the regressive infection rate. Similarly, the same approach can be applied to mortality and obtained ΔD and $\Delta D'$. Assuming that $B = \Delta I' + \Delta D'$ is the deviation characteristic of the prediction, the LSTM method can be used to predict the model. The flow diagram of the prediction is shown in Fig 4.

S_{R1} is the number of vulnerable infected persons on the first day, I_{R1} is the number of real-time infected cases on the first day, I_{P1} is the number of infected cases predicted on the first day, M_1 is the initial model. Where S_{RX} is the number of vulnerable infected persons on day X, I_{RX} is the number of real-time infected cases on day X, I_{PX} is

331 the predicted number of infected cases on day X , and M_X is the model
332 on Day X .

333 **Simulation results and discussion**

334 Based on GA in Fig 1, we computed the vulnerability coefficient k_i of
335 four government measures. Without city lockdown, the infection
336 probability m of government investment, media publicity, medical
337 treatment and law enforcement are 0.174, 0.717, 0.021 and 0.853.
338 With city lockdown, the infection probability m of government
339 investment, media publicity, medical treatment and law enforcement
340 are 0.085, 0.219, 0.107 and 0.349. There are two significant
341 government measures media publicity and law enforcement, and the
342 law enforcement is more important. Make a globally observation,
343 each country invested huge amounts of money for COVID-19, and
344 most medical workers tried their best to save lives. The difference of
345 epidemic prevention results comes from the media publicity and law
346 enforcement. Enhancing the influence of media can build a strong
347 basis of epidemic prevention by offering the meaning of prevention
348 measures. Considering the exception of inconsiderate and
349 non-media audiences, the risk of disease spreading still exist. The
350 efficiency of law enforcement is the crucial insurance to save the
351 effort of medical workers.

352 We simulated the disease development and analyze the output of
353 the model in 231 days with real epidemic data available from Brazil
354 (February 26 to October 13). Fig 5a represents the number of
355 predicted and confirmed per days, the model predicts infected per
356 days of the last 17 days before October 13. Considering the lockdown
357 from March 21 to July 31, the government realized the necessity of
358 quarantine. From the data trend of infection confirmed per days over
359 this period, the law enforcement shows insufficient efficiency.
360 Supposing the government gave the best performance to control the
361 disease, we performed the simulation about the development of
362 infection and death per days. Fig 5b is the infected prediction with
363 best performance of government; the possible infected number would
364 much lower with effective government effort. With the comparison
365 between Fig 5a and Fig 5b, it is obvious that there is a great impact
366 on the prediction in the middle and later period due to the large
367 changes in the data after government make best moves. Fig 5c is the
368 daily-infected prediction error of model for last 17 days. Considering
369 the enormousness of infection confirmed number, Fig 5c shows the
370 accuracy of model prediction without best performance of
371 government.

372

373 **Fig 5. Brazil infected cases. a) Infection of predicted and confirmed per days, b) Infection prediction with best government**
374 **performance, c) Infection prediction error.**

375

376

377

378

379

380

381

382

383

384

385

386

387

388

389

390

391

392

393

394 **Fig 6. Brazil death cases. a) Death of prediction and confirmed per days, b) Death prediction with best government performance,**
395 **c) Death prediction error.**

396

397

Conclusions

398

399

400

401

402

403

404

405

406

407

408

409

410

References

411

412

413

414

1. Huang C, Wang Y, Li X, Ren L, Zhao J, et al. (2020) Clinical features of patients infected with 2019 novel coronavirus in Wuhan, China. *Lancet* 395: 497-506. [https://doi.org/10.1016/S0140-6736\(20\)30183-5](https://doi.org/10.1016/S0140-6736(20)30183-5)

- 415
416
417
418
419
420
421
422
423
424
425
426
427
428
429
430
431
432
433
434
435
436
437
438
439
440
441
442
443
444
445
446
447
448
449
450
451
452
453
454
455
456
457
2. Ye F, Xu S, Rong Z, Xu R, Liu X, et al. (2020) Delivery of infection from asymptomatic carriers of COVID-19 in a familial cluster. *Int J Infect Dis* 94: 133-138. <https://doi.org/10.1016/j.ijid.2020.03.042>
 3. Crokidakis N (2020) Modeling the early evolution of the COVID-19 in Brazil: Results from a Susceptible–Infectious–Quarantined–Recovered (SIQR) model. *Int J Mod Phys C*: 2050135-2050144. <https://doi.org/10.1142/s0129183120501351>
 4. Bhatraju PK GB, Nichols M, Kim R, Jerome KR, Nalla AK, Greninger AL, Pipavath S, Wurfel MM, Evans L, Kritek PA, West TE, Luks A, Gerbino A, Dale CR, Goldman JD, O'Mahony S, Mikacenic C. (2020) Covid-19 in Critically Ill Patients in the Seattle Region - Case Series. *New Engl J Med* 382: 2012-2022. <https://doi.org/10.1056/NEJMoa2004500>
 5. Bai Y, Yao L, Wei T, Tian F, Jin D-Y, et al. (2020) Presumed Asymptomatic Carrier Transmission of COVID-19. *JAMA* 323: 1406-1407. <https://doi.org/10.1001/jama.2020.2565>
 6. Lai C-C, Liu YH, Wang C-Y, Wang Y-H, Hsueh S-C, et al. (2020) Asymptomatic carrier state, acute respiratory disease, and pneumonia due to severe acute respiratory syndrome coronavirus 2 (SARS-CoV-2): Facts and myths. *J Microbiol Immunol* 53: 404-412. <https://doi.org/10.1016/j.jmii.2020.02.012>
 7. Lan L XD, Ye G, Xia C, Wang S, Li Y, Xu H. (2020) Positive RT-PCR Test Results in Patients Recovered From COVID-19. *JAMA* 323: 1502-1503. <https://doi.org/10.1001/jama.2020.2783>
 8. Lauer SA, Grantz KH, Bi Q, Jones FK, Zheng Q, et al. (2020) The Incubation Period of Coronavirus Disease 2019 (COVID-19) From Publicly Reported Confirmed Cases: Estimation and Application. *Ann Intern Med* 172: 577-582. <https://doi.org/10.7326/M20-0504>
 9. Linton N, Kobayashi T, Yang Y, Hayashi K, Akhmetzhanov A, et al. (2020) Incubation Period and Other Epidemiological Characteristics of 2019 Novel Coronavirus Infections with Right Truncation: A Statistical Analysis of Publicly Available Case Data. *J Clin Med* 9: 538. <https://doi.org/10.1101/2020.01.26.20018754>
 10. Zhou Y, Ma Z, Brauer F (2004) A discrete epidemic model for SARS transmission and control in China. *Math Comp Model* 40: 1491-1506. <https://doi.org/10.1016/j.mcm.2005.01.007>
 11. Poletto C, Pelat C, Levy-Bruhl D, Yazdanpanah Y, Boelle PY, et al. (2014) Assessment of the Middle East respiratory syndrome coronavirus (MERS-CoV) epidemic in the Middle East and risk of international spread using a novel maximum likelihood analysis approach. *Euro SurvII* 19: 20824. <https://doi.org/10.2807/1560-7917.es2014.19.23.20824>

- 458
459
460
461
462
463
464
465
466
467
468
469
470
471
472
473
474
475
476
477
478
479
480
481
482
483
484
485
486
487
488
489
490
491
492
493
494
495
496
497
498
499
12. Zhang Q, Sun K, Chinazzi M, Pastore Y Piontti A, Dean NE, et al. (2017) Spread of Zika virus in the Americas. *Proc Natl Acad Sci* 114: 4334-4343. <https://doi.org/10.1073/pnas.1620161114>
 13. Nishiura H (2011) Real-time forecasting of an epidemic using a discrete time stochastic model: a case study of pandemic influenza (H1N1-2009). *Bio Med Eng OnLine* 10: 15. <https://doi.org/10.1186/1475-925x-10-15>
 14. Yang M, Chen G, Fu X (2011) A modified SIS model with an infective medium on complex networks and its global stability. *Physica A* 390: 2408-2413. <https://doi.org/10.1016/j.physa.2011.02.007>
 15. Li T, Liu X, Wu J, Wan C, Guan Z-H, et al. (2016) An epidemic spreading model on adaptive scale-free networks with feedback mechanism. *Physica A* 450: 649-656. <https://doi.org/10.1016/j.physa.2016.01.045>
 16. Daley DJ, Kendall DG (1964) EPIDEMICS AND RUMOURS. *Nature* 204: 1118. <https://doi.org/10.1038/2041118a0>
 17. Zhu G, Fu X, Chen G (2012) Spreading dynamics and global stability of a generalized epidemic model on complex heterogeneous networks. *Appl Math Model* 36: 5808-5817. <https://doi.org/10.1016/j.apm.2012.01.023>
 18. Li T, Wang Y, Guan Z-H (2014) Spreading dynamics of a SIQRS epidemic model on scale-free networks. *Commun Nonlinear Sci Numer Simul* 19: 686-692. <https://doi.org/10.1016/j.cnsns.2013.07.010>
 19. Zhang J, Sun J (2014) Stability analysis of an SIS epidemic model with feedback mechanism on networks. *Physica A* 394: 24-32. <https://doi.org/10.1016/j.physa.2013.09.058>
 20. Zhang Y, Yu X, Sun H, Tick GR, Wei W, et al. (2020) Applicability of time fractional derivative models for simulating the dynamics and mitigation scenarios of COVID-19. *Chaos Soliton Fract* 138: 109959. <https://doi.org/10.1016/j.chaos.2020.109959>
 21. Mishra BK, Keshri AK, Rao YS, Mishra BK, Mahato B, et al. (2020) COVID-19 created chaos across the globe: Three novel quarantine epidemic models. *Chaos Soliton Fract* 138: 109928. <https://doi.org/10.1016/j.chaos.2020.109928>
 22. Alkahtani BST, Alzaid SS (2020) A novel mathematics model of covid-19 with fractional derivative. Stability and numerical analysis. *Chaos Soliton Fract* 138: 110006. <https://doi.org/10.1016/j.chaos.2020.110006>
 23. Mandal M, Jana S, Nandi SK, Khatua A, Adak S, et al. (2020) A model based study on the dynamics of COVID-19: Prediction and

- 500 control. Chaos, Solitons & Fractals 136: 109889.
501 <https://doi.org/10.1016/j.chaos.2020.109889>
- 502 24. Car Z, Baressi Šegota S, Anđelić N, Lorencin I, Mrzljak V (2020)
503 Modeling the Spread of COVID-19 Infection Using a Multilayer
504 Perceptron. Comput Math Method M 2020: 5714714.
505 <https://doi.org/10.1155/2020/5714714>
- 506 25. Arora P, Kumar H, Panigrahi BK (2020) Prediction and analysis of
507 COVID-19 positive cases using deep learning models: A
508 descriptive case study of India. Chaos Soliton Fract 139: 110017.
509 <https://doi.org/10.1016/j.chaos.2020.110017>
- 510 26. Haghshenas SS, Pirouz B, Piro P, Na KS, Cho SE, et al. (2020)
511 Prioritizing and Analyzing the Role of Climate and Urban
512 Parameters in the Confirmed Cases of COVID-19 Based on
513 Artificial Intelligence Applications. Int J Environ Res Public Health
514 17: 3730. <https://doi.org/10.3390/ijerph17103730>
- 515 27. Wu X, Hui H, Niu M, Li L, Wang L, et al. (2020) Deep
516 learning-based multi-view fusion model for screening 2019 novel
517 coronavirus pneumonia: A multicentre study. Eur J Radiol 128:
518 109041. <https://doi.org/10.1016/j.ejrad.2020.109041>
- 519 28. Miralles-Pechuán L, Jiménez F, Ponce H, Martínez-Villaseñor L
520 (2020) A Deep Q-learning/genetic Algorithms Based Novel
521 Methodology For Optimizing Covid-19 Pandemic Government
522 Actions. arXiv e-prints: arXiv:2005.07656.
- 523 29. Wong Z, Zhou J, Zhang Q (2018) Artificial Intelligence for
524 infectious disease Big Data Analytics. Infect Dis Health 24: 44-48.
525 <https://doi.org/10.1016/j.idh.2018.10.002>
- 526 30. Chan JF-W, Yuan S, Kok K-H, To KK-W, Chu H, et al. (2020) A
527 familial cluster of pneumonia associated with the 2019 novel
528 coronavirus indicating person-to-person transmission: a study of a
529 family cluster. Lancet 395: 514-523.
530 [https://doi.org/10.1016/S0140-6736\(20\)30154-9](https://doi.org/10.1016/S0140-6736(20)30154-9)
531

ANN

S



M1
M2
M3
M4
LOCK



I

α

Q

β

R

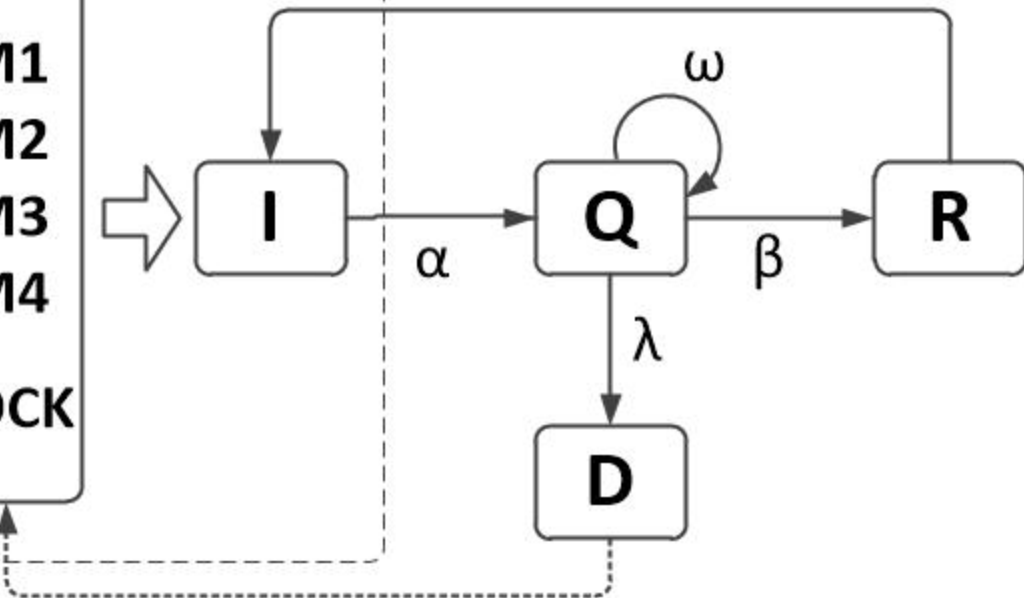
γ

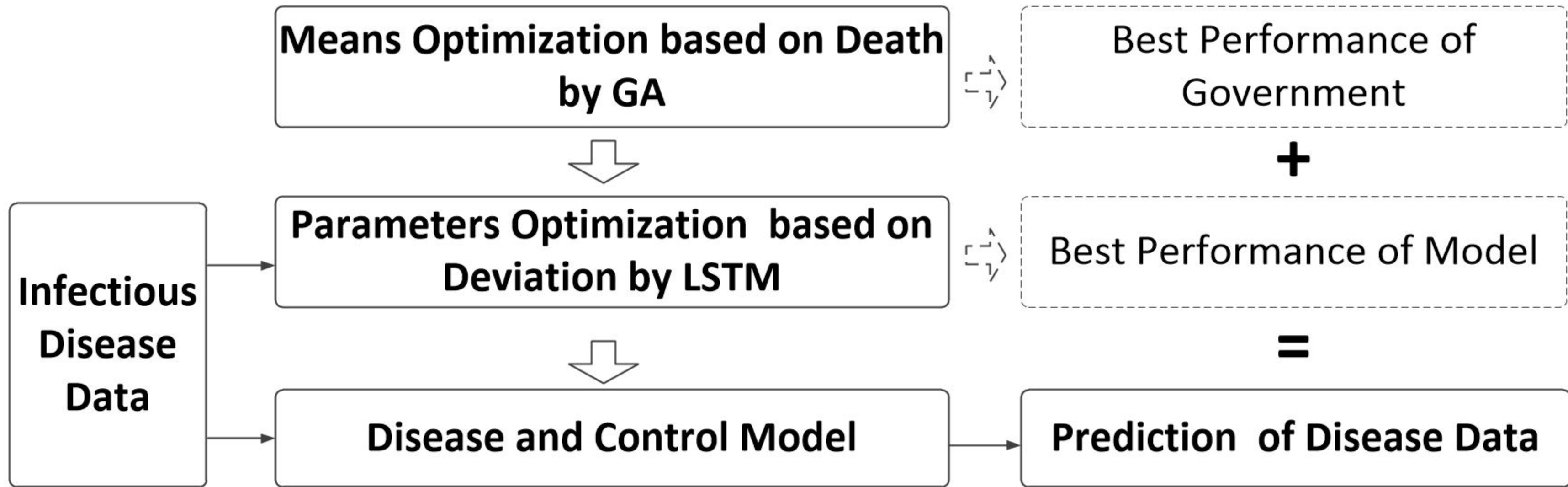
ω

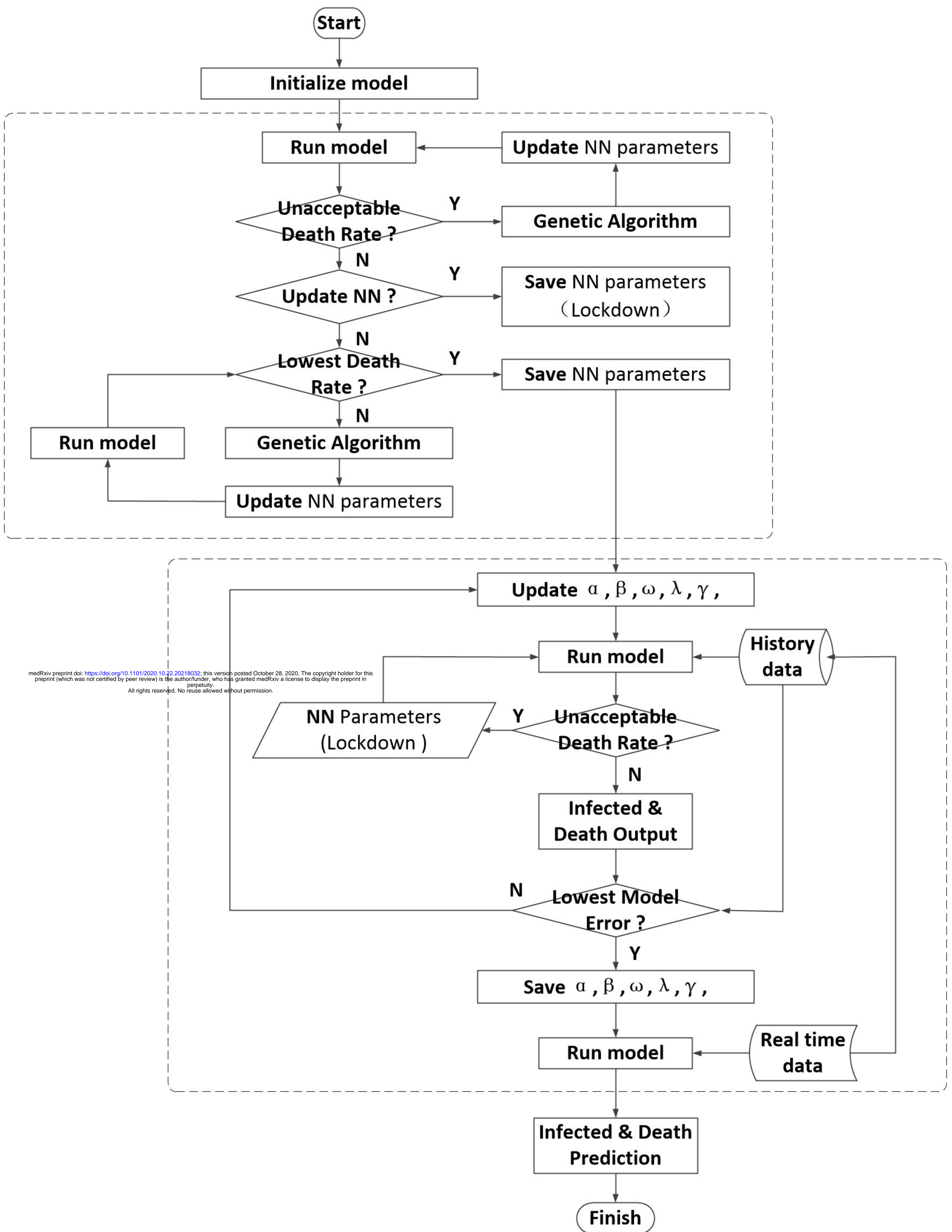
λ

D

GA







medRxiv preprint doi: <https://doi.org/10.1101/2020.10.22.20218032>; this version posted October 28, 2020. The copyright holder for this preprint (which was not certified by peer review) is the author/funder, who has granted medRxiv a license to display the preprint in perpetuity. All rights reserved. No reuse allowed without permission.

