

1 **Effect of large-scale testing platform in prevention and control of the COVID-19**
2 **pandemic: an empirical study with a novel numerical model**

3
4 **Qing Xie^{1#}, Jing Wang¹, Jianling You¹, Shida Zhu¹, Rui Zhou², Zhijian Tian², Hao**
5 **Wu², Yang Lin², Wei Chen², Lan Xiao², Honglong Wu³, Weijun Chen³, Wang**
6 **Jian^{1#}**

7
8 ¹ **BGI-Shenzhen, Shenzhen 518083, China.**

9 ² **BGI-Wuhan, Wuhan 430075, China.**

10 ³ **BGI PathoGenesis Pharmaceutical Technology, Shenzhen, China.**

11 **Correspondence should be addressed to Q.X. (xieqing@genomics.cn) and W.J.**
12 **(wangjian@genomics.cn).**

13 **#These authors jointly supervised this work.**

14
15 **Background:** China adopted an unprecedented province-scale quarantine since
16 January 23rd 2020, after the novel coronavirus (COVID-19) broke out in Wuhan in
17 December 2019. Responding to the challenge of limited testing capacity, large-scale
18 standardized and fully-automated laboratory (Huo-Yan) was built as an ad-hoc measure.
19 There was so far no empirical data or mathematical model to reveal the impact of the
20 testing capacity improvement since the quarantine.

21 **Methods:** We integrated public data released by the Health Commission of Hubei
22 Province and Huo-Yan Laboratory testing data into a novel differential model with non-
23 linear transfer coefficients and competitive compartments, to evaluate the trends of
24 suspected cases under different nucleic acid testing capacities.

25 **Results:** Without the establishment of Huo-Yan, the suspected cases would increased
26 by 47% to 33,700, the corresponding cost of the quarantine would be doubled, and the
27 turning point of the increment of suspected cases and the achievement of “daily
28 settlement” (all daily new discovered suspected cases were diagnosed according to the

NOTE: This preprint reports new research that has not been certified by peer review and should not be used to guide clinical practice.

29 nucleic acid testing results) would be delayed for a whole week and 11 days. If the Huo-
30 Yan Laboratory could ran at its full capacity, the number of suspected cases could
31 started to decrease at least a week earlier, the peak of suspected cases would be reduced
32 by at least 44% and the quarantine cost could be reduced by more than 72%. Ideally, if
33 a daily testing capacity of 10,500 could achieved immediately after the Hubei lockdown,
34 “daily settlement” for all suspected cases would be achieved immediately.

35 **Conclusions:** Large-scale and standardized clinical testing platform with nucleic acid
36 testing, high-throughput sequencing and immunoprotein assessment capabilities need
37 to be implemented simultaneously in order to maximize the effect of quarantine and
38 minimize the duration and cost. Such infrastructure like Huo-Yan, is of great
39 significance for the early prevention and control of infectious diseases for both common
40 times and emergencies.

41

42 **Keywords:** Coronavirus disease 2019 (COVID-19); modeling; testing capacity;
43 numerical simulation

44

45 **Introduction**

46 To cope with the outbreak of the coronavirus related disease (COVID-19) in Wuhan
47 since December 2019, the unprecedented province-scale quarantine since January 23rd
48 2020 was adopted to prevent the virus from spreading ^[1,2]. The numerical simulation of
49 Yang *et al.* ^[1] quantitatively explained the effectiveness of the series of unprecedented
50 measures taken by the Chinese government, such as extended the Spring Festival
51 holiday, encouraged people to self-quarantined and delayed the resumption of work and
52 school, which successfully reduced the population movement and thereby the virus
53 transmission.

54

55 The clinical testing method plays irreplaceable role in identifying the infected, cutting
56 off the transmission, and protecting the susceptible. The qRT-PCR based nucleic acid

57 testing is regarded as one of the gold standards for the detection of coronavirus related
58 disease (COVID-19). From January 3rd, the Chinese Center for Disease Control and
59 Prevention (CCDCP) began to distribute nucleic acid testing kits to hospitals and
60 medical institutions, and carried out testings according to their own capabilities.
61 However, the large-scale and standardization nucleic acid testing has always been a
62 problem that troubles the entire disease control system, including the CCDCP, hospitals
63 and clinical laboratories. Quality control of the sampling procedure, equipments, testing
64 kits and processes lack consistency amongst 97 institutions in Hubei Province and more
65 than 40 institutions in Wuhan, making it hard to centralize and scale-up the testings,
66 deliver the results and admit the infected on a timely manner. The above mentioned
67 technical issues of the clinical testing lead to the controversy about the effectiveness of
68 the nucleic acid testing by the doctors, experts and officials, which converted into the
69 social panic. On February 4th, the fifth edition of the diagnosis and treatment plan for
70 the novel coronavirus disease even adapted the imaging features of pneumonia (by CT-
71 scanning) as the diagnosis standard of COVID-19 in Hubei Province published by the
72 National Health Commission [3].

73

74 Though the province-scale quarantine is unprecedented, however the number of
75 suspected infections kept increasing due to a series issues with regard to the nucleic
76 acid testing, which leading to serious delay of both diagnosis and hospital admission.
77 To cope with that, the Wuhan government made another key strategic decision to build
78 an emergent clinical virus testing infrastructure on Jan 29th, i.e. the Huo-Yan Laboratory,
79 with a testing capacity over 10,000 per day (Figure 1). Huo-Yan was expanded into a
80 site of 2,000 m² within a week from an existing laboratory that continuously delivers
81 testing results. Since Huo-Yan put into use on Feb 5th, its testing capacity kept stably
82 increasing due to the automated nucleic acid extraction device and optimization of
83 procedure. Then Huo-Yan have achieved 14,000 testing capacity per day on Feb 9th
84 along with the original site and exceeded 20,000 testing capacity per day on Mar 1st.

85 And finally substantially contributed to achieve the “daily settlement” (no suspected
86 cases each day) raised by Hubei Provincial government starting by Feb 16th. On Feb
87 19th, the sixth edition of the diagnosis and treatment plan for the novel coronavirus
88 disease ^[3] recalled the practice of using imaging features of pneumonia for the diagnosis
89 of COVID-19 in Hubei Province.

90

91 Testing is the key to the prevention and control of infectious diseases, for only by
92 identifying the infected can they be isolated and treated, as well as to stop the
93 transmission. So far, there was no empirical data and numeric model to clarify the
94 impact of standardized and large-scale clinical testing platform on the prevention and
95 control of contagion. Here we present a novel differential model with non-linear
96 transfer coefficients and competitive compartments to evaluate the trends of suspected
97 cases under different nucleic acid testing capacities.

98

99 **Methods**

100 *Data Source*

101 The number of daily received samples and the maximum testing capacity of Huo-Yan
102 Laboratory were taken into the model for the estimation of the testing (Figure 1). The
103 data of suspected cases, diagnosed cases, hospitalized patients and recovered patients
104 each day which released by the Health Commission of Hubei Province were used for
105 validation of the model.

106

107 *Estimation of the number of nucleic acid testing carried out in Hubei Province*

108 As the response to the rapid increment of suspected cases, the testing capacity of the
109 hospitals, the local disease control and prevention institutions and the clinical testing
110 laboratories in Hubei Province increased from c.a. 3,000 to over 30,000 tests per day.
111 In the period of simulation (Feb 25th-March 6th), Huo-Yan had finished over 163,000
112 testings by March 6th, with a team of 130 personals. Besides, the 20 teams of 83

113 personals sent by CCDCP together with local lab professionals and supporting
114 personals, had finished 105,641 testings by the end of February. In Wuhan, the 23 most
115 qualified hospitals could perform over 7,000 tests per day. The specifics of the testing
116 carried out in Hubei Province were as follows:

117 1) From January 19th, since the testing kits became available to hospitals and medical
118 institutions, the daily testing capacity (TC) of Hubei Province was expected to be TC_0
119 = 3,000;

120 2) From Jan. 26th to Feb. 11th, the daily testing capacity of clinical testing laboratories
121 increased rapidly. Testing capacity of the Huo-Yan Laboratory, $TC_{HY}(t)$ increased to
122 10,000 per day on Feb 4th, and Huo-Yan accounted for 30%-45% of the testing in Hubei
123 Province.

124 3) From February 11th to March 1st, $TC_{HY}(t)$ increased from 10,000 to 20,000 per day,
125 delivered 40%-50% of the testing results in Hubei Province.

126

127 *Estimation of the total infected population of novel coronavirus and other pathogens*

128 According to the modified SEIR model by *Yang et al* ^[1], after taken the whole province
129 quarantine measures in Hubei, the infected cases decreased from 43,000 on Feb 25th to
130 34,000 on Mar 6th. The suspected patents were usually with characteristics of fever and
131 influenza-like illnesses (ILIs), and the existing epidemiological data showed an
132 incremental trend of ILIs patients from 2015 to 2017 in Wuhan, along with annual ILIs
133 prevalence of 4.5% in Wuhan ^[4]. The ILIs cases in the 1st quarter of each year accounted
134 for about 20% (varying from 17% to 46%), therefore we estimated the annual total
135 infected patients of ILIs other than coronavirus could be over 460,000 in the first quarter
136 of 2020 in Hubei Province, which would lead to over 5,000 patients with similar
137 symptom of COVID-19 per day.

138

139 *Model for predicting suspected cases*

140 A novel model was used to illustrate the influence of testing capacity on the prevention

141 and control of COVID-19 (Figure 3). Unlike the common dynamic model used only
 142 linear differential equations, this model applied the increasement of testing capacity
 143 into account. Since the quarantine measures in Hubei, the contact probability among
 144 people was reduced, which significantly reduced the possibility of large-scale
 145 transmission. Meanwhile, due to quarantine, people were more alert to fever and other
 146 symptoms, leading to more patients surged into the hospital and a continuous
 147 increasement suspected cases. The purpose of nucleic acid testing was to 1) identify
 148 patients with COVID-19 from the uninfected, and allow them to be hospitalized; 2)
 149 after the symptoms disappear, the inpatient with more than twice negative testing results
 150 (the interval must be more than 24 hours) could be discharged ^[3].

151

152 The conversion efficiency from suspected to hospital admission depended on the testing
 153 capacity ($TC(t)$), the number of existing and newly discovered the suspected cases,
 154 however there was a bottleneck of nucleic acid testing. As soon as the daily testing
 155 capacity was greater than the existing suspected plus the newly suspected of the day,
 156 the “daily settlement” of suspected cases could be achieved.

157

158 The differential equation derived from the following models:

159 $TR(t) = \sigma_{cov} \cdot E_{cov}(t) + \sigma_{other} \cdot E_{other}(t) + I_{cov}(t) + I_{other}(t)$

160 $PR(t) = (\sigma_{cov} \cdot E_{cov}(t) + I_{cov}(t)) / TR(t)$

{	$NTD(t) = \rho \cdot TC(t);$	<i>when $\rho \cdot TC(t) < TR(t)$</i>
	$NTR(t) = 0$	
	$NTD(t) = I_{sus}(t) + \sigma_{cov} \cdot E_{cov}(t);$	<i>when $TR(t) < \rho \cdot TC(t)$</i>
}	$NTR(t) = (1 - \rho) \cdot TC(t)$	<i>and $TC(t) < (TR(t) + H(t))$</i>
	$NTD(t) = I_{sus}(t) + \sigma_{cov} \cdot E_{cov}(t);$	<i>when $TC(t) > (TR(t) + H(t))$</i>
	$NTR(t) = H(t)$	

161 $\frac{dI_{cov}(t)}{dt} = \sigma_{cov} \cdot E_{cov}(t) - PR(t) \cdot NTD(t)$

162 $\frac{dI_{other}(t)}{dt} = \sigma_{other} \cdot E_{other}(t) - (1 - PR(t)) \cdot NTD(t)$

163
$$\frac{dH(t)}{dt} = PR(t) \cdot NTD(t) - \gamma \cdot NTR(t) - \alpha \cdot H(t)$$

164
$$\frac{dR(t)}{dt} = \gamma \cdot NTR(t)$$

165
$$\frac{dD(t)}{dt} = \alpha \cdot H(t)$$

166 The parameters in the model were as follows:

167 $TC(t)$: the testing capacity.

168 $TR(t)$: the testing requirement from existing and newly discovered suspected patients.

169 $PR(t)$: the positive ratio of the tests for diagnosis ($NTR(t)$).

170 $E_{total}(t)$: the number of COVID-19 latent patients and other diseases in the province.

171 $E_{cov}(t)$: the latent patients of COVID-19 in the province, including the asymptomatic
172 population.

173 $E_{other}(t)$: the latent patients that were not infected by the novel coronavirus.

174 σ_{cov} : incubation rate. Generally, the reciprocal of the disease cycle was taken (1/7).

175 $I_{sus}(t)$: the number of suspected cases of COVID-19 in the whole province.

176 $I_{cov}(t)$: the number of patients with novel coronavirus as suspected patients in the whole
177 province.

178 $I_{other}(t)$: the number of patients of other diseases as suspected cases of COVID-19 in
179 the whole province.

180 ρ : the rate of the test used for the diagnosis of the COVID-19 in the total nucleic acid
181 tests.

182 $NTD(t)$: the number of tests used for diagnosis suspected cases .

183 $NTR(t)$: the number of tests used for the discharge of the cases.

184 $D(t)$: the cumulative number of deaths caused by COVID-19.

185 $R(t)$: the cumulative number of discharged patients.

186 γ : the probability of recovery, generally taking the reciprocal of 20 days.

187 α : the mortality rate, which is 0.0035.

188

189 **Results**

190 The simulation result corresponded well with the trend of suspected cases by Health
191 Commission of Hubei Province, and the positive rate of the tests per day was around
192 50%, also consistent with the positive rate data from Huo-Yan. The effect of increased
193 testing capacity was significant, which was largely up to the government’s decision and
194 the expansion of the hospitals and clinical testing laboratories (Figure 4).

195

196 Due to the insufficient testing capacity at the beginning of the province-scale quarantine,
197 the number of suspected cases rose to over 23,000, which became a “dammed lake” for
198 delayed diagnosis and led to social panic.

199

200 If the testing capacity did not rapidly increased, the suspected cases could have reached
201 a maximum of 33,700, resulting in a doubled isolation cost in term of room-days and
202 ten thousands medical personals in addition to the over 40,000 medical workers and
203 doctors which had been sent to Hubei Province. The diagnosis for over 30,000
204 suspected cases would be delayed, half of which are positive results and could cause
205 further transmission. The turning point of the increment of suspected cases would be
206 delayed for 6 days and the achievement of “daily settlement” would be realized at least
207 11 days later.

208

209 If the established testing capacity was fully used, over 22,800 suspected cases could be
210 diagnosed on time rather than being delayed, and accordingly, the isolation cost could
211 be reduced by at least 72%, the turning point of the increment of suspected cases could
212 arrive one week earlier, and “daily settlement” could be realized 12 days in advance.

213

214 Under the ideal scenario, if Hubei Province was capable of carrying out more than
215 10,500 tests per day at the very beginning of the epidemic, there would be no “suspected
216 cases” in the daily official COVID-19 epidemic report, but only the number of
217 diagnosed cases, i.e., either positive or negative, because all of the suspected cases

218 would be “settled” daily.

219

220 **Conclusions**

221 Novel coronavirus related diseases have been officially defined as pandemic on March
222 11th 2020 by WHO. The quarantine of an entire district, city or a region could be
223 adopted as part of the measures by the government. In Italy, for example, more than 15
224 million people were placed in the country-based quarantine on March 8th [5]. Timely and
225 accurate clinical test is essential for identifying the infected, cutting off the transmission,
226 and protecting the susceptible. The large-scale, precise, and reliable testing capacity is
227 highly required to reduce the panic accompanied by the drastic quarantine measures.

228

229 To increase the testing capacity is a systematic project, among which the qualified
230 laboratory spaces, the standardize of training medical panels, the supplement of the
231 equipment, reagents, consumables and protective materials, and the automation of the
232 testing procedure were of most importance. Here are the suggestions deduced from the
233 simulation:

234

- 235 1) The large-scale standardize testing platform and QC protocols were the premise of
236 in the quarantine, which were the prerequisite for the diagnosis of suspected cases,
237 isolate infectious patients, release isolation of convalescent and uninfected healthy
238 population, and also the screening of key communities and groups. The practice
239 from the centered platform could be summarized and replicated to other laboratories.
240 The quality of the diagnostic kits and the accuracy, timeliness, safeties of the
241 laboratories must be constantly compared and inspected. Unstandardized testing
242 process would cause inconsistency in testing results and led to distrust on the testing
243 results.
- 244 2) Encourage the laboratories to increase testing capacities and keep continues
245 delivery results at the same time. During emergencies, any changes in the testing

246 process could cause samples accumulation, and the best solution could be continues
247 applying new knowledge, know-hows in small scale and quickly replicate to the
248 whole testing assembly line. This principle works in deploying new laboratory
249 spaces, automation equipment, SOP and etc.

250 3) Keep the outsourcing clinical testing laboratory the same priority and responsibility
251 as the in-house laboratories. Despite of the high efficiency of the outsourcing
252 laboratory, some hospitals are not willing to perform the outsourcing diagnostic
253 tests just because they regard the risk of inaccurate testing results of the outsourcing
254 laboratories “incontrollable”.

255 4) Central planning of the diagnostic testing and comprehensive tracking of the
256 potential testing capability to achieve “daily settlement”. Once there are standardize
257 testing capacity, arrange the samples to fill the excess capacity immediately.

258 5) Sufficiently supplement the sampling kits and the corresponding trainings to the
259 medical panels. Other issues that require training on the sampling process including
260 the barcoding and information input of the samples, and the inactivation of the
261 pathogen before testing.

262 6) Large-scale and standardized clinical laboratory should be regarded as
263 infrastructure for both common time and emergencies against contagion, and should
264 be put into use as early as possible in any epidemic. A good estimation of the testing
265 capacity for nucleic acid testing of COVID-19 could be over 10,500 samples per
266 day for a region of 60 million population with over 43,000 infected patients.

267

268 With Huo-Yan Laboratory as a model, combining with high-throughput sequencing,
269 nucleic acid detection, immunoprotein analysis and other large-scale standardized and
270 automated analysis methods, we can build infrastructure in the field of public health
271 against the pandemic, so that large and small cities could have their own detection
272 capabilities of 100 to 1,000 or 10,000 people when facing various epidemics, we can
273 take it easy to ensure our life safety, biological safety and economic safety.

274

275 **Disclaimer**

276 Huo-Yan is an ad-hoc COVID-19 clinical testing infrastructure owned by the Wuhan
277 East Lake High-tech Development Zone. BGI-Wuhan operates the laboratory, BGI
278 PathoGenesis Pharmaceutical Technology provides technical support for the whole
279 laboratory. This work is to serve as an empirical reference to regions where COVID-19
280 needs to be prevented and controlled as it is now spreading globally. All opinions
281 expressed are those of the authors and do not necessarily reflect the views of the Hubei
282 provincial government.

283

284 **Acknowledgement**

285 Wang Jian supervised the whole work, Qing Xie generated the simulation model, Qing
286 Xie, Jing Wang and Jianling You wrote the manuscript. We thank Dr. En Bo for his
287 technical support.

288

289 **References**

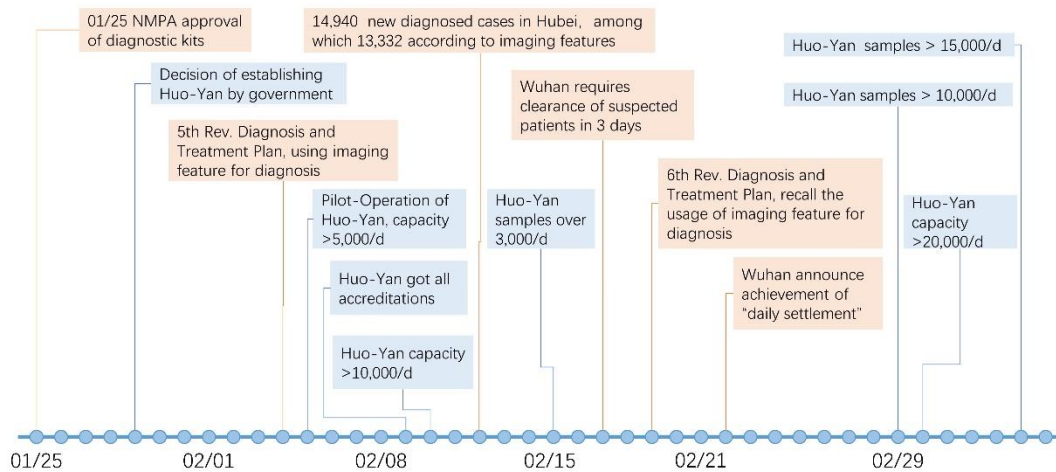
- 290 1. Yang Z, Zeng Z, Wang K. Modified SEIR and AI prediction of the epidemics trend
291 of COVID-19 in China under public health interventions[J]. J Thorac Dis, 2020.
- 292 2. Tang B, Wang X, Li Q, et al. Estimation of the transmission risk of the 2019-nCoV
293 and its implication for public health interventions[J]. Journal of Clinical Medicine,
294 2020, 9(2): 462.
- 295 3. Diagnosis and Treatment Plan for the Novel Coronavirus Disease (COVID-19) (1st -
296 7th Rev.), National Health Commission.
- 297 4. Ye Jiuhong, Cao Qian, Feng Ling, et al. Characteristics analysis of fever and
298 influenza-like patients in a tertiary hospital in Wuhan during 2015 to 2017[J] J of Pub
299 Health and Prev Med, 2019.
- 300 5. Anderson R M, Heesterbeek H, Klinkenberg D, et al. How will country-based
301 mitigation measures influence the course of the COVID-19 epidemic?[J]. The Lancet,

302 2020.

303

304 **Figures**

305 Figure 1. Timeline illustrating the establishment of Huo-Yan Laboratory as response to
306 the insufficient nucleic acid testing during the epidemic.

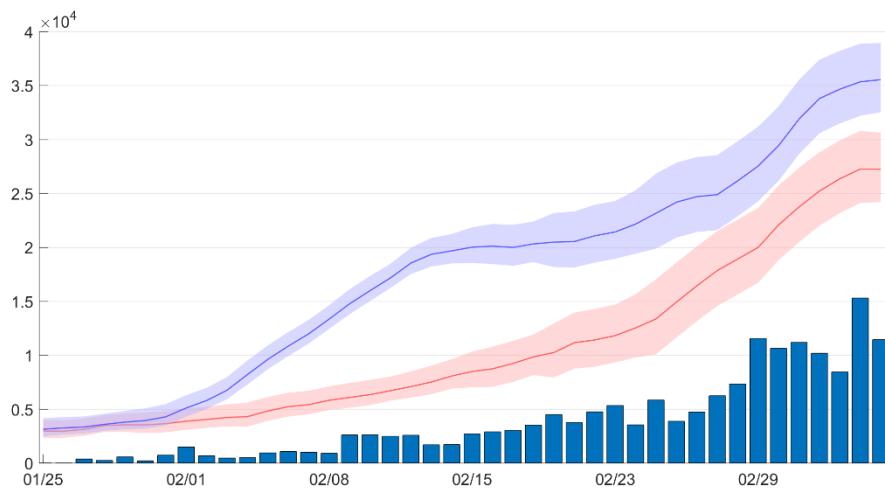


307

308

309 Figure 2. The trend of the nucleic acid testing performed in Hubei Province and by
310 Huo-Yan Laboratory.

311



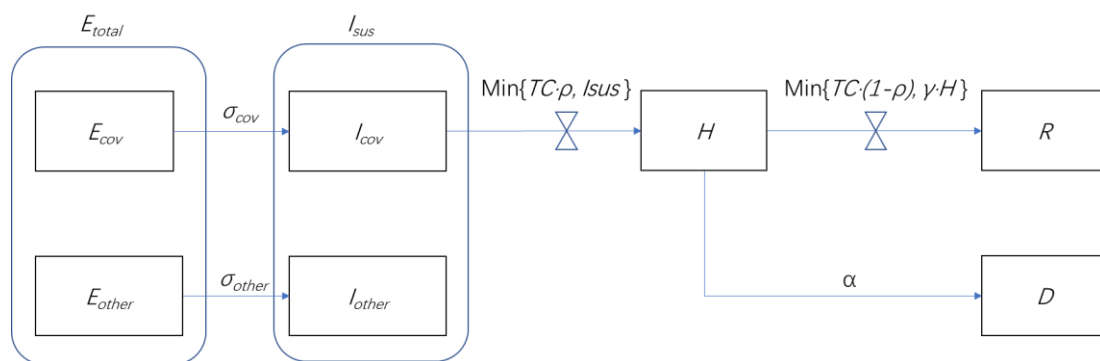
312

313 The number of samples sent to Huo-Yan Laboratory and the corresponding delivered

314 testing results (bar with solid line, blue). Estimated testing capacity of the Hubei
315 Province (red line and the corresponding envelop) and the corresponding potential
316 testing capacity (blue line and the corresponding envelop).

317

318 Figure 3. The competitive, non-linear epidemic model of hospitalization and discharge
319 of the suspected patients. Unlike the common epidemiologic models based on the linear
320 transfer functions and constant transfer coefficients, the novel model has transfer
321 coefficient restricted by the testing capacity.



322

323 $E_{total}(t)$: the number of COVID-19 latent patients and other diseases in the region.

324 $E_{cov}(t)$: the latent patients of COVID-19 in the province, including the asymptomatic
325 population.

326 $E_{other}(t)$: the latent patients that is not infected by the novel coronavirus.

327 σ_{cov} : incubation rate. Generally, the reciprocal of the disease cycle is taken (1/7 day).

328 σ_{other} : virtual incubation rate of other diseases that leads to symptom of suspected
329 patients. (1 day).

330 $I_{sus}(t)$: the number of suspected cases of COVID-19 in the whole province.

331 $I_{cov}(t)$: the number of patients with novel coronavirus as suspected patients in the whole
332 province.

333 $I_{other}(t)$: the number of patients of other diseases as suspected patients of COVID-19 in
334 the whole province.

335 ρ : the ratio of the test used for the diagnosis of the COVID-19 in the total nucleic acid
336 tests.

337 $TC(t)$: the testing capacity.

338 $NTD(t)$: the number of tests used for diagnosis suspected patients.

339 $NTR(t)$: the number of tests used for the discharge of the patients.

340 $D(t)$: the cumulative number of deaths caused by COVID-19.

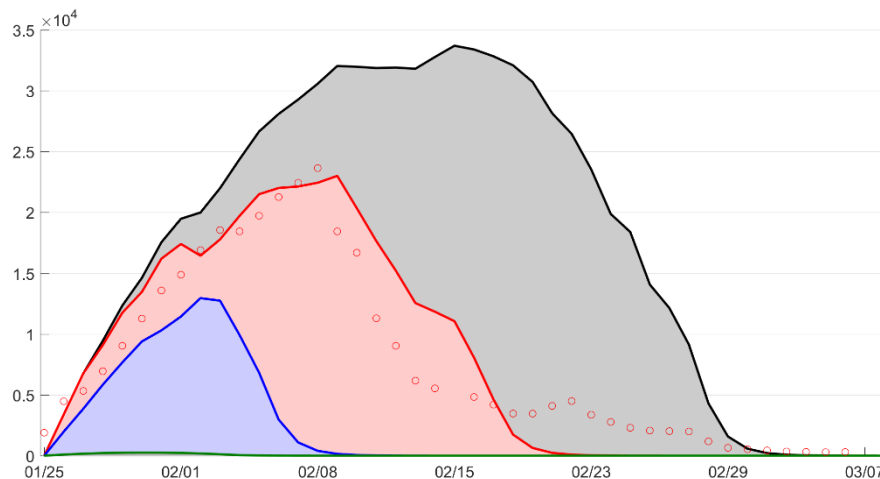
341 $R(t)$: the cumulative number of discharged patients.

342 γ : the probability of recovery, generally taking the reciprocal of 20 days.

343 α : the mortality rate of COVID-19.

344

345 Figure 4. The simulation of the suspected patients under different testing capacity.



346

347 The simulation results using the Huo-Yan factual operation data (line, red) corresponds

348 with the open-access data from Health Commission of Hubei Province (circle, red). The

349 simulated results without the Huo-Yan laboratory (line, black) and the result using 100%

350 of the test capacity (blue). The ideal situation (line, green) would be achieved with a

351 testing platform of enough high capacity. The area under curve depicts the number of

352 isolated patients in term of rooms per person per day.